



US0D1007807S

(12) **United States Design Patent**  
**Zhang**

(10) **Patent No.:** **US D1,007,807 S**

(45) **Date of Patent:** **\*\* Dec. 12, 2023**

- (54) **PANEL OF A SAFE BOX**
- (71) Applicant: **Luoyang Anjixing Cabinet Industry Co., Ltd., Luoyang (CN)**
- (72) Inventor: **Shaowei Zhang, Luoyang (CN)**
- (73) Assignee: **LUOYANG ANJIXING CABINET INDUSTRY CO., LTD., Luoyang (CN)**

D485,041	S	*	1/2004	Paris	.....	D99/28
D498,895	S	*	11/2004	Lynch	.....	D99/28
D505,530	S	*	5/2005	Nelson	.....	D99/28
D512,898	S	*	12/2005	Metivier	.....	D10/106.1
D514,430	S	*	2/2006	Osiecki	.....	D8/350
D527,615	S	*	9/2006	Osiecki	.....	D8/350
D634,181	S	*	3/2011	Kang	.....	D8/330
D715,015	S	*	10/2014	Measom	.....	D99/43
D748,889	S	*	2/2016	Ng	.....	D99/28

(Continued)

(\*\*) Term: **15 Years**

**OTHER PUBLICATIONS**

(21) Appl. No.: **29/896,166**

Electronic keypad safe Lock,digital pin code lock for Steel Security Safe box with indicator light and 2 group codes,https://www.amazon.com/Digital-Electronic-keypad-Security-indicator/dp/B0BBV8HJNP, Aug. 25, 2022. (Year: 2022).\*

(22) Filed: **Jun. 29, 2023**

(51) **LOC (14) Cl.** ..... **99-00**

(52) **U.S. Cl.**  
USPC ..... **D99/43**

(58) **Field of Classification Search**  
USPC .... D99/28, 34, 35, 36, 43, 99; D8/330, 331, D8/332, 343, 344, 350, 352  
CPC .. E05B 65/00; E05B 65/0007; E05B 65/0014; E05B 65/0021; E05B 65/0032; E05B 65/0075; E05B 65/0078; E05G 1/00; E05G 1/005; E05G 1/02; E05G 1/024; E05G 1/026; E05G 1/04; E05G 1/08; E05G 5/00; E05G 5/003; E05G 5/02; E05G 2700/00; E05G 2700/02

See application file for complete search history.

(Continued)

*Primary Examiner* — Elizabeth J Oswecki  
(74) *Attorney, Agent, or Firm* — Chun-Ming Shih;  
LANWAY IPR SERVICES

(57) **CLAIM**

The ornamental design for a panel of a safe box, as shown and described.

**DESCRIPTION**

FIG. 1 is a first perspective view of a panel of a safe box showing the new design;  
FIG. 2 is a second perspective view thereof;  
FIG. 3 is a front view thereof;  
FIG. 4 is a rear view thereof;  
FIG. 5 is a left side elevational view thereof;  
FIG. 6 is a right side elevational view thereof;  
FIG. 7 is a top view thereof; and,  
FIG. 8 is a bottom view thereof.

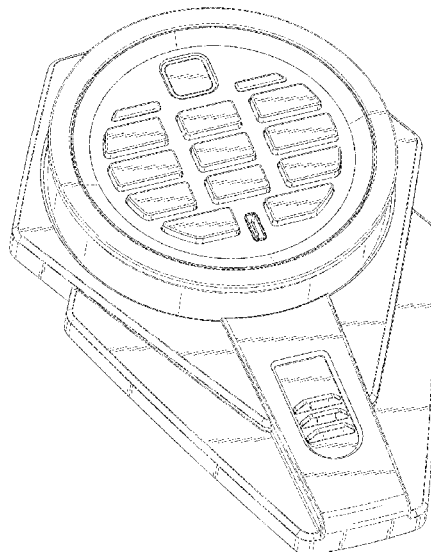
The broken lines shown in the figures are for the purpose of illustrating portions of the panel of a safe box and form no part of the claimed design.

**1 Claim, 8 Drawing Sheets**

(56) **References Cited**

**U.S. PATENT DOCUMENTS**

5,609,051	A	*	3/1997	Donaldson	.....	G07C 9/0069
						70/303 A
D388,309	S	*	12/1997	Hamilton	.....	D8/330
5,841,361	A	*	11/1998	Hoffman	.....	G07C 9/0069
						70/278.1
D411,732	S	*	6/1999	Chamberlain	.....	D8/352
6,016,677	A	*	1/2000	Clark	.....	E05B 47/0012
						70/333 R
D433,553	S	*	11/2000	Goldstein	.....	D99/28



(56)

References Cited

U.S. PATENT DOCUMENTS

D758,040	S	*	5/2016	Osiecki	.....	D99/43
D759,340	S	*	6/2016	Nelson	.....	D99/43
D766,067	S		9/2016	Hyde et al.		
9,441,409	B2	*	9/2016	Smietana	.....	G07C 9/00674
D771,472	S	*	11/2016	Gartner	.....	D8/334
D774,871	S	*	12/2016	Gartner	.....	D8/334
D786,653	S		5/2017	Oliva Camacho et al.		
9,670,696	B2	*	6/2017	Chong	.....	G07C 9/00174
D802,397	S		11/2017	Schneider		
D811,689	S	*	2/2018	Osiecki	.....	D99/43
D815,389	S	*	4/2018	Hu	.....	D99/43
D816,463	S	*	5/2018	Chen	.....	D8/343
D820,065	S	*	6/2018	Chen	.....	D8/343
D820,066	S	*	6/2018	Chen	.....	D8/343
D846,229	S	*	4/2019	Hu	.....	D99/43
D850,237	S	*	6/2019	Chen	.....	D8/334
D961,359	S		8/2022	He		
D962,585	S	*	8/2022	Chen	.....	D99/28
D977,940	S		2/2023	Alexandru		
D980,040	S		3/2023	Lovejoy et al.		
D991,621	S	*	7/2023	Zhang	.....	D99/43

OTHER PUBLICATIONS

Gun Safe Lock Replacement, Chrome Keypad Electronic Safe Lock with Solenoid Lock 2 Override Keys and Circuit Board Lock, <https://www.amazon.com/Replacement-Electronic-Solenoid-Override-Circuit/dp/B0B1ZY1TP4>, May 23, 2022. (Year: 2022).\*

\* cited by examiner

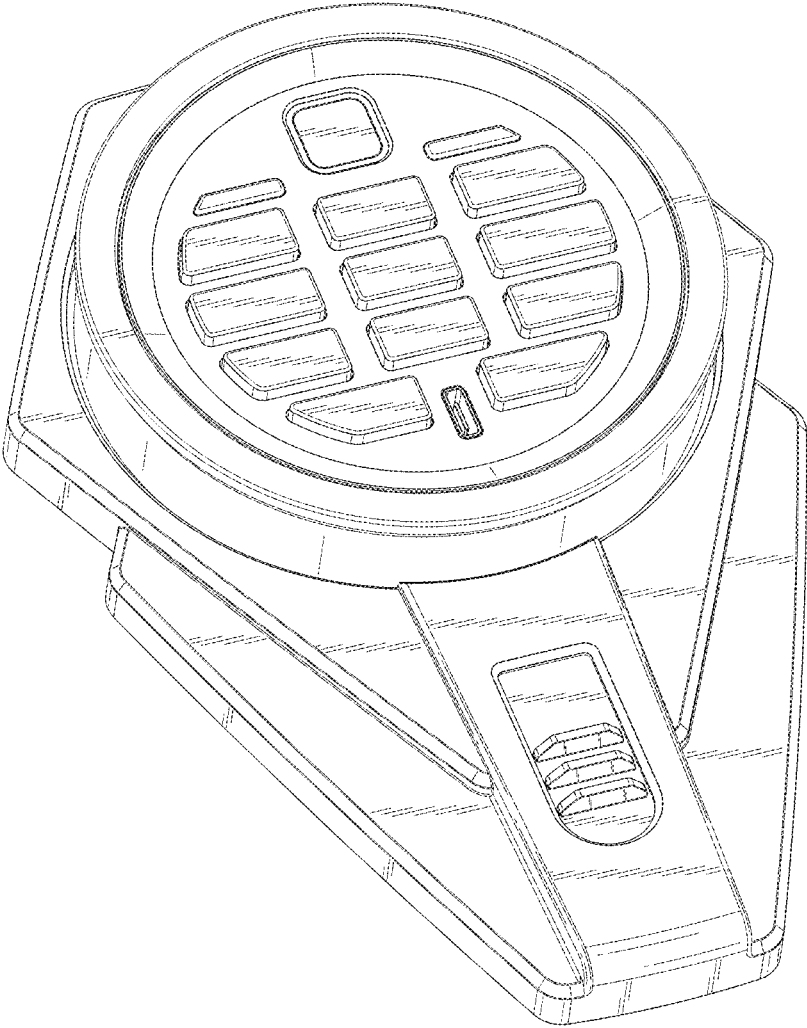


FIG.1

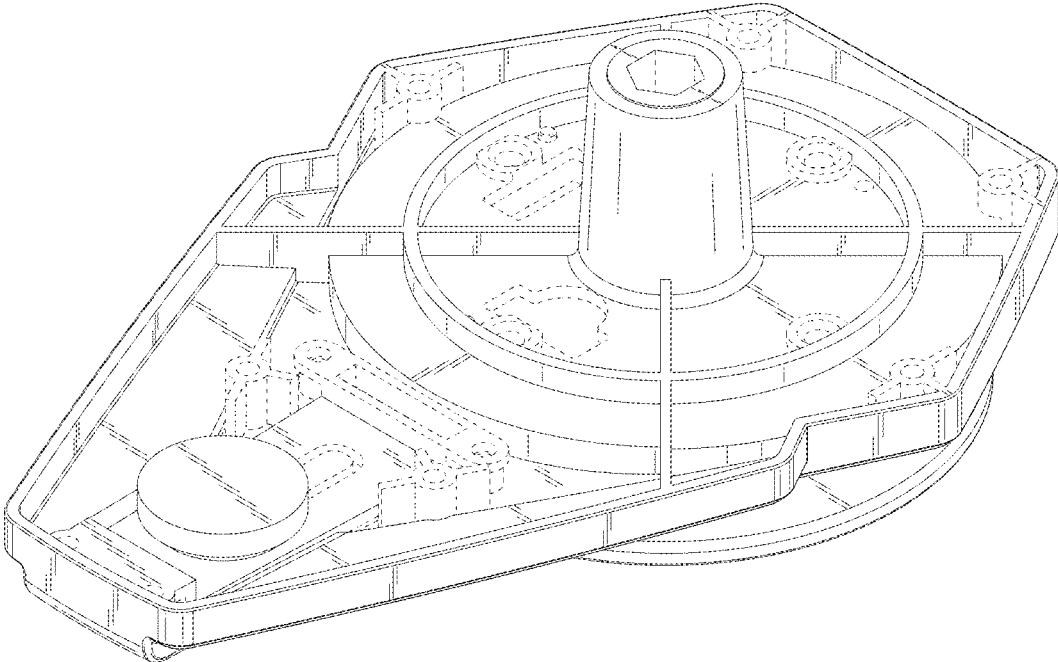


FIG.2

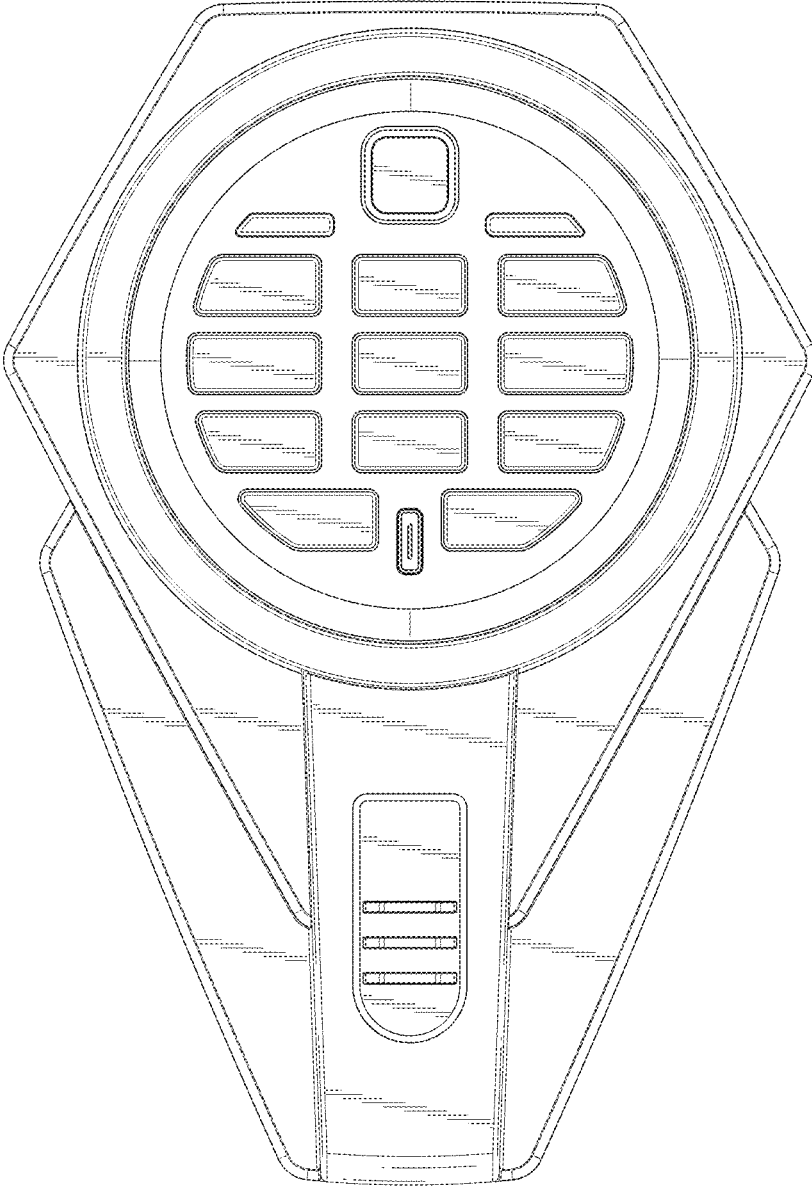


FIG.3

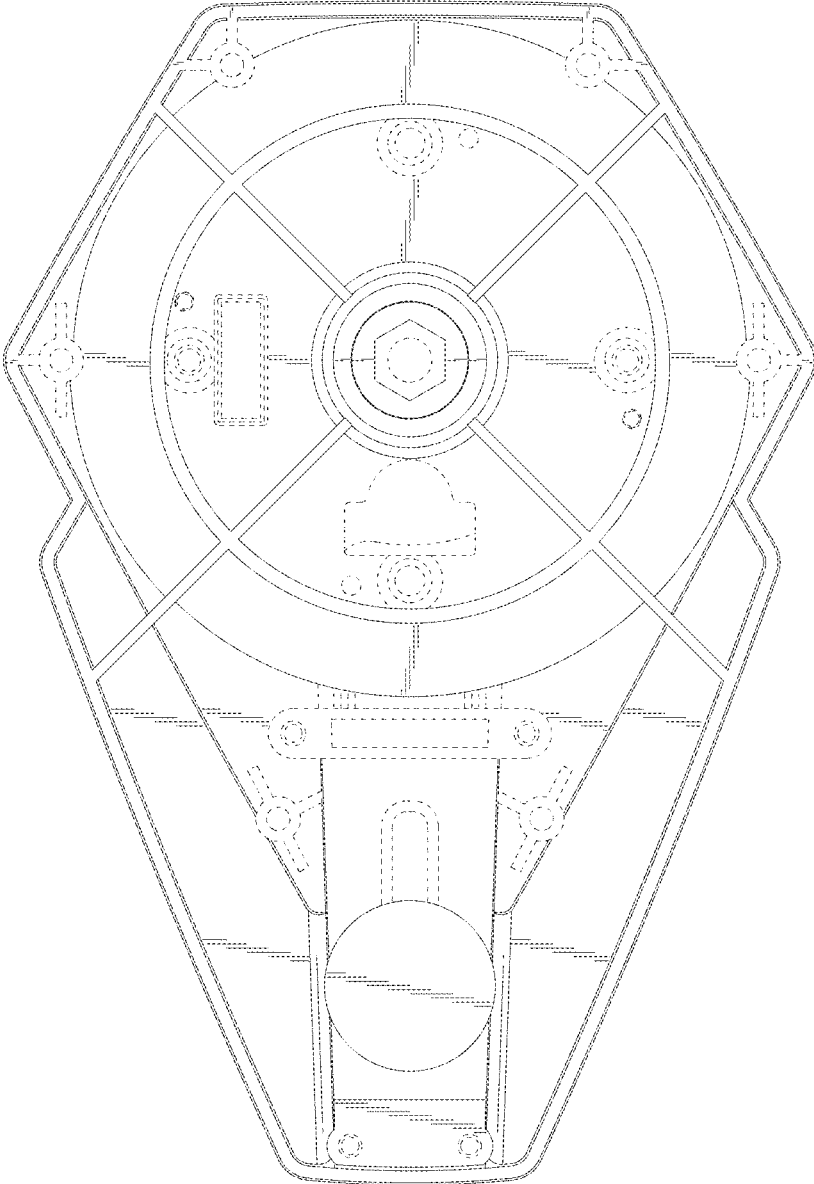


FIG.4

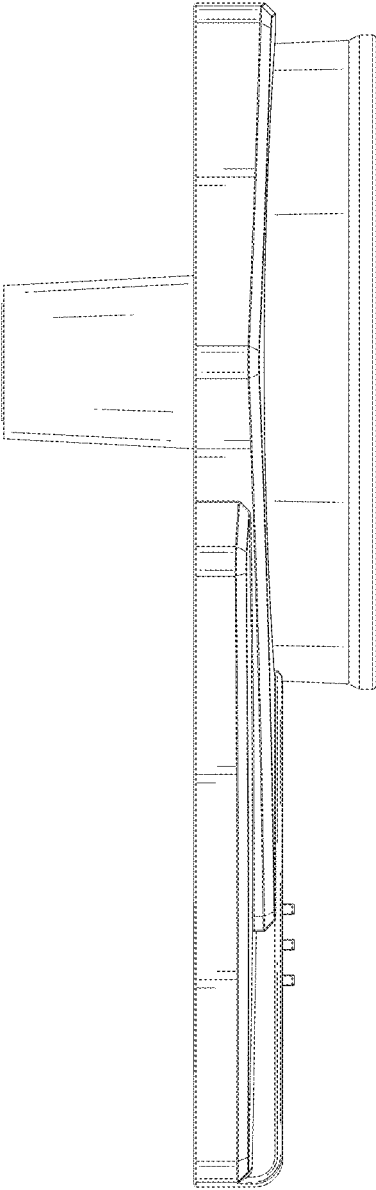


FIG.5

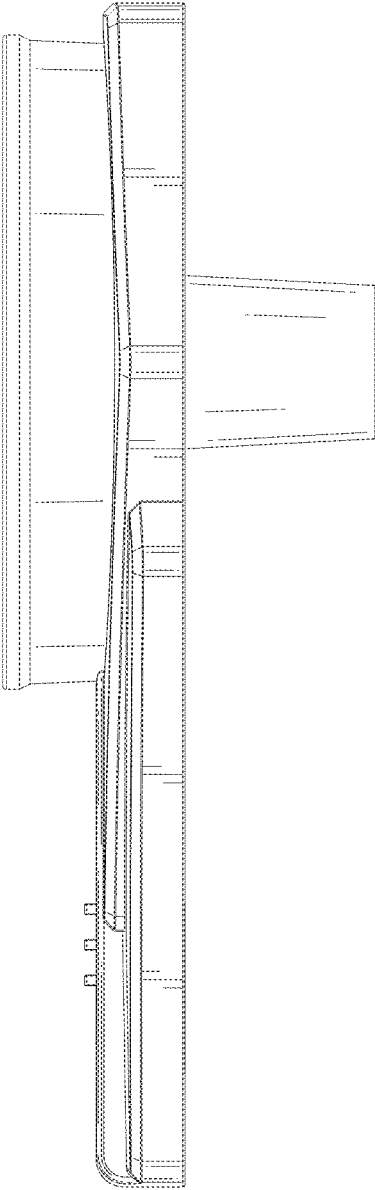


FIG.6



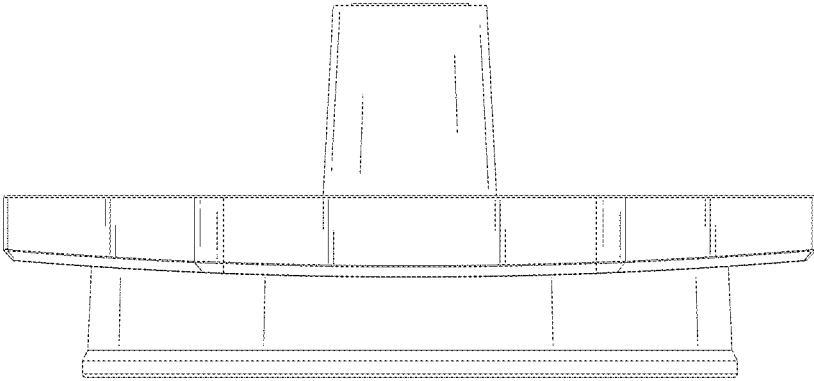


FIG.7

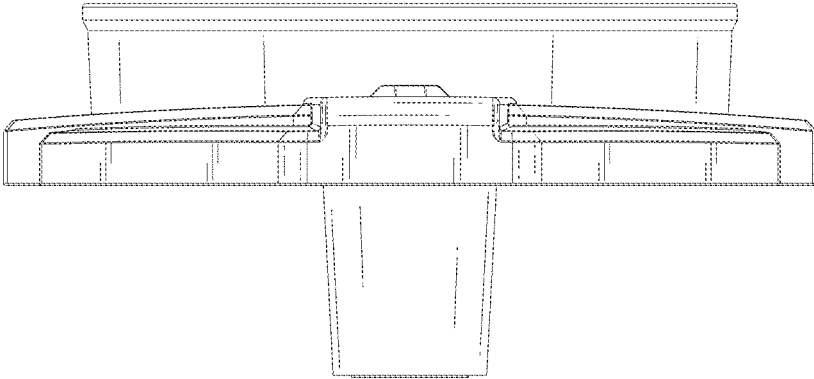


FIG.8