



US00D406389S

# United States Patent [19] Henry

[11] Patent Number: **Des. 406,389**

[45] Date of Patent: **\*\*Mar. 2, 1999**

[54] **LOTION DISPENSER**

[76] Inventor: **Murray C. Henry**, P.O. Box 25688,  
Portland, Oreg. 97298

[\*\*] Term: **14 Years**

[21] Appl. No.: **72,604**

[22] Filed: **Jun. 20, 1997**

[51] **LOC (6) CI.** ..... **28-02**

[52] **U.S. CI.** ..... **D28/7**

[58] **Field of Search** ..... D28/7, 9, 63; D4/114,  
D4/116, 120; D24/200, 211, 214; 132/320,  
333, 112-118; 401/6, 8, 28, 183, 209, 220,  
268-291; 601/94, 113, 131, 154, 155

[56] **References Cited**

### U.S. PATENT DOCUMENTS

D. 197,762	3/1964	Lussier et al.	.....	D4/114
D. 262,908	2/1982	Pesco	.....	D24/211
792,276	6/1905	McCarthy	.....	401/205
1,604,435	10/1926	Wharton	.....	601/154
2,930,060	3/1960	Pearce	.....	401/184
2,988,084	6/1961	Douglas	.....	601/80
4,037,977	7/1977	Ronai	.....	401/209
5,125,757	6/1992	Morrison et al.	.....	401/21
5,131,384	7/1992	Obagi	.....	601/137

### FOREIGN PATENT DOCUMENTS

1176734	4/1959	France	.....	601/134
---------	--------	--------	-------	---------

461118	12/1948	Italy	.....	401/28
503763	2/1956	Italy	.....	601/131
209772	7/1940	Switzerland	.....	401/264
641656	3/1984	Switzerland	.....	401/28

*Primary Examiner*—Ted Shooman  
*Assistant Examiner*—C. Tuttle  
*Attorney, Agent, or Firm*—Ingrid McTaggart

### [57] CLAIM

I claim the ornamental design for a lotion dispenser, as shown and described.

### DESCRIPTION

FIG. 1 is an isometric view of the lotion dispenser, showing my new design;  
FIG. 2 is a top plan view thereof;  
FIG. 3 is a front elevational view thereof, the rear elevational view being a mirror image thereof;  
FIG. 4 is a left side elevational view thereof, the right side elevational view being a mirror image thereof;  
FIG. 5 is a bottom plan view thereof;  
FIG. 6 is an isometric view of another embodiment of the lotion dispenser, showing my new design;  
FIG. 7 is a top plan view thereof;  
FIG. 8 is a front elevational view thereof, the rear elevational view being a mirror image thereof;  
FIG. 9 is a left side elevational view thereof, the right side elevational view being a mirror image thereof; and,  
FIG. 10 is a bottom plan view thereof.

**1 Claim, 2 Drawing Sheets**

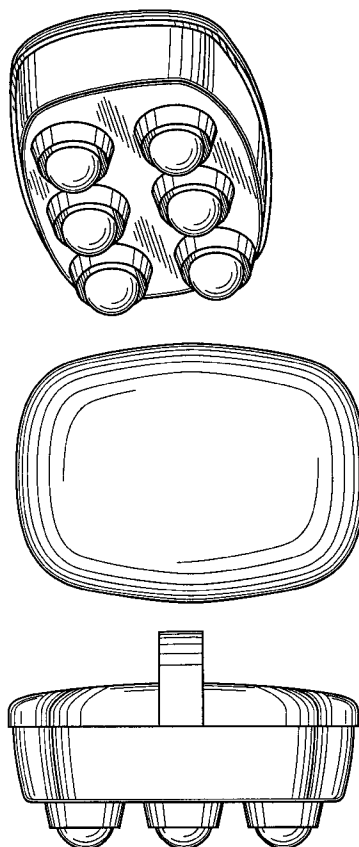


FIG. 1

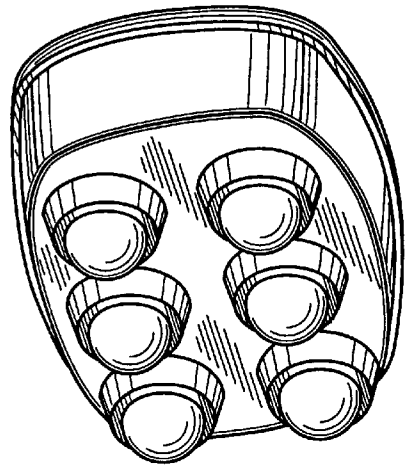


FIG. 2

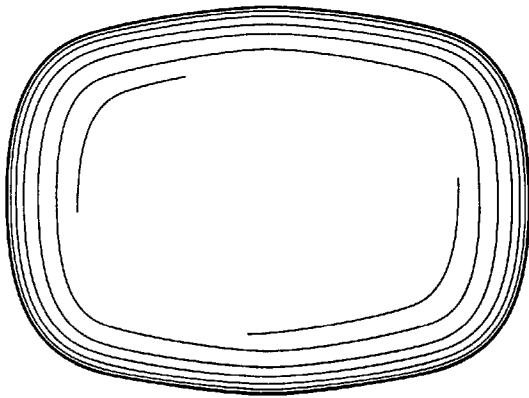


FIG. 3

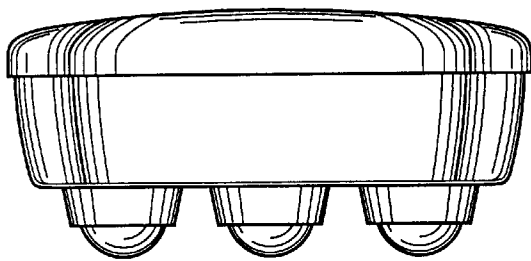


FIG. 4

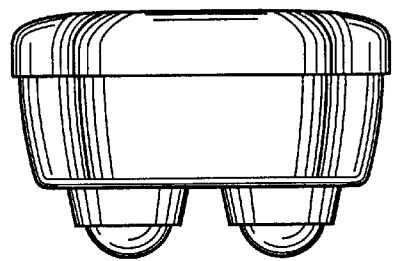


FIG. 5

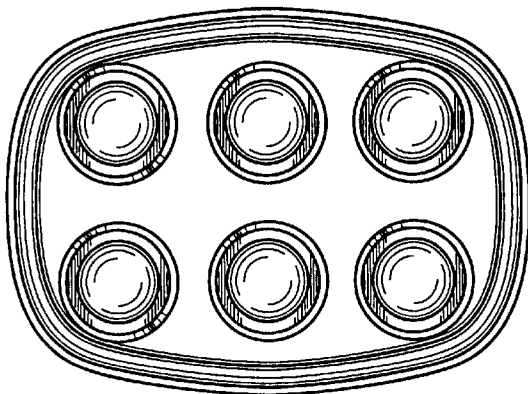


FIG. 6

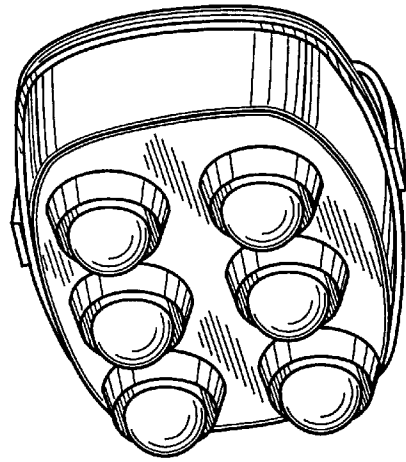


FIG. 7

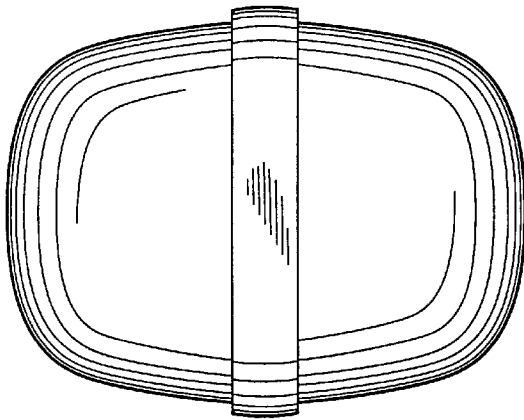


FIG. 9

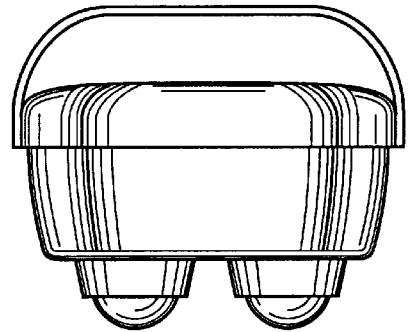


FIG. 8

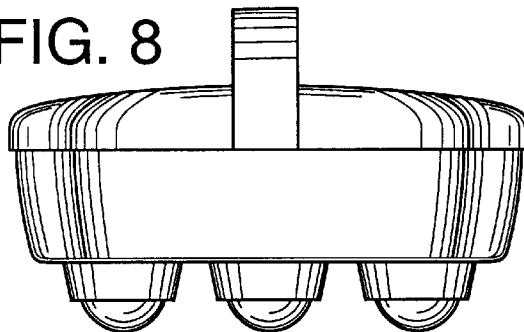


FIG. 10

