



US00D560091S

(12) **United States Design Patent**
Bodum

(10) **Patent No.:** **US D560,091 S**

(45) **Date of Patent:** **** Jan. 22, 2008**

(54) **TEAPOT**
(75) Inventor: **Jørgen Bodum**, St. Niklausen (CH)
(73) Assignee: **Pi-Design AG**, Triengen (CH)
(**) Term: **14 Years**

1,758,407 A * 5/1930 Leighton 99/317
D343,759 S * 2/1994 Jorgensen D7/318
5,453,189 A * 9/1995 Joergensen 210/238
D415,648 S * 10/1999 Joergensen D7/317
D523,344 S * 6/2006 Toth et al. D9/522
7,213,507 B2 * 5/2007 Glucksman et al. 99/297
D552,404 S * 10/2007 Bodum D7/321

* cited by examiner

Primary Examiner—Philip S. Hyder
Assistant Examiner—Cynthia Underwood
(74) *Attorney, Agent, or Firm*—Cowan, Liebowitz & Latman, PC

(21) Appl. No.: **29/278,023**
(22) Filed: **Mar. 16, 2007**

(30) **Foreign Application Priority Data**
Sep. 20, 2006 (DK) DA 2006 00250

(51) **LOC (8) Cl.** **07-01**
(52) **U.S. Cl.** **D7/316; D7/317; D7/318;**
D7/321; D7/312

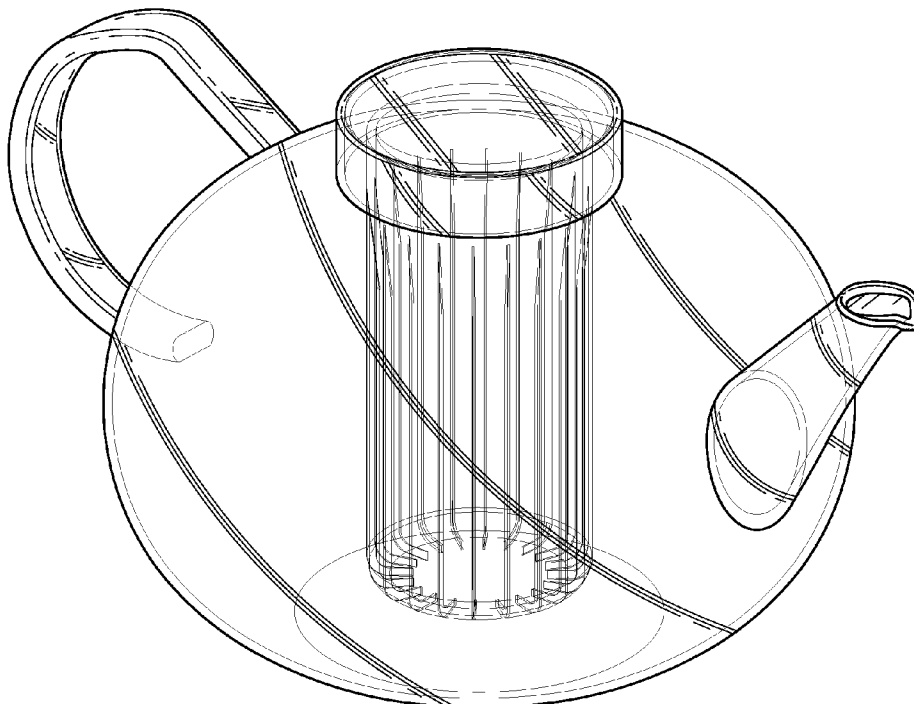
(58) **Field of Classification Search** 99/275,
99/279, 318, 433, 321–323, 283, 495, 499;
4/289; 7/110; 210/472, 473, 348, 419, 300,
210/311, 238, 477, 266, 282, 289, 295; 426/79,
426/82, 112, 433, 432; D7/317, 387, 397,
D7/399–401, 500, 318, 523, 538, 543, 600–602,
D7/630, 647, 667, 700, 316, 321; D9/428,
D9/429, 522; D23/209, 200, 207; 220/676,
220/913; 141/84, 331; 137/142, 269, 544
See application file for complete search history.

(56) **References Cited**
U.S. PATENT DOCUMENTS
918,674 A * 4/1909 Hathaway 99/317

(57) **CLAIM**
The ornamental design for a teapot, as shown and described.

DESCRIPTION
FIG. 1 is a perspective view of the teapot showing my design thereof;
FIG. 2 is a front view thereof;
FIG. 3 is a back view thereof;
FIG. 4 is a right side view thereof;
FIG. 5 is a left side view thereof;
FIG. 6 is a top view thereof;
FIG. 7 is a bottom view thereof; and,
FIG. 8 is a cross-sectional view thereof taken along line 8–8 of FIG. 6.

1 Claim, 8 Drawing Sheets



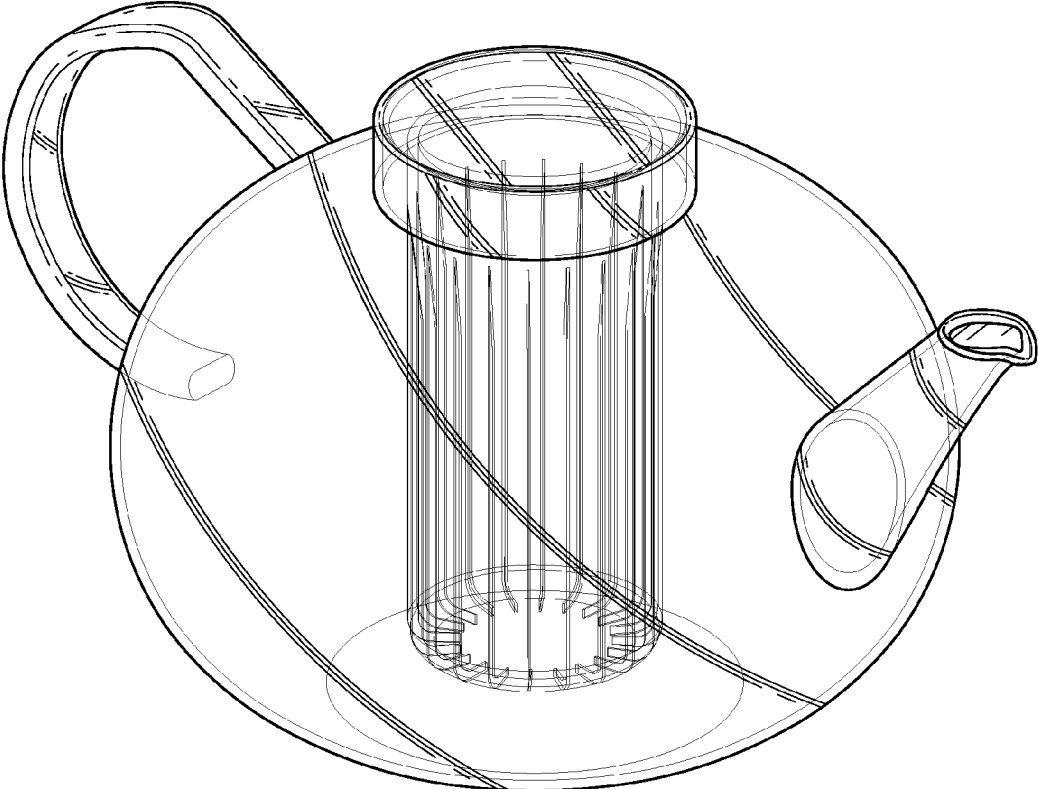


FIG. 1

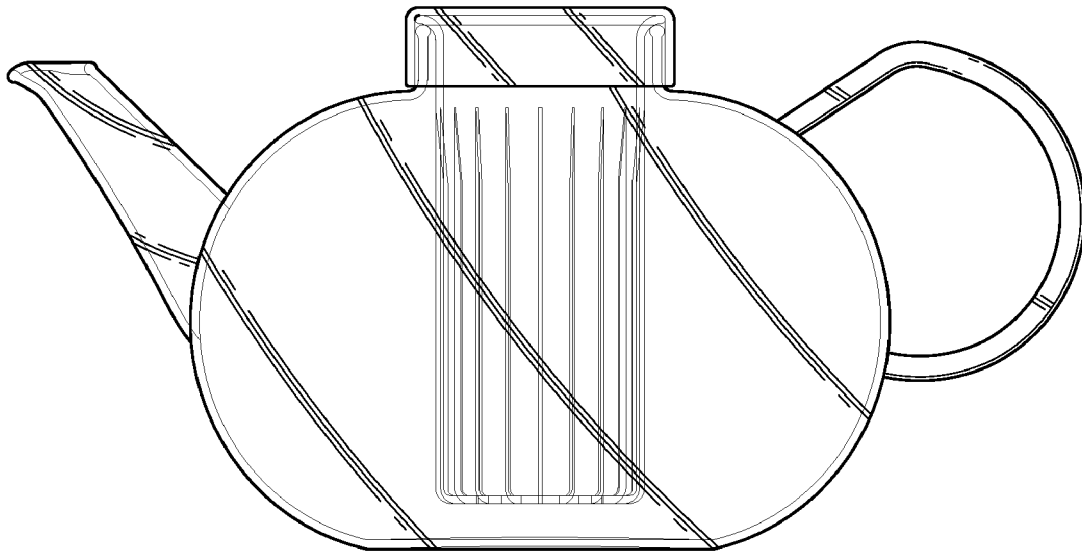


FIG. 2

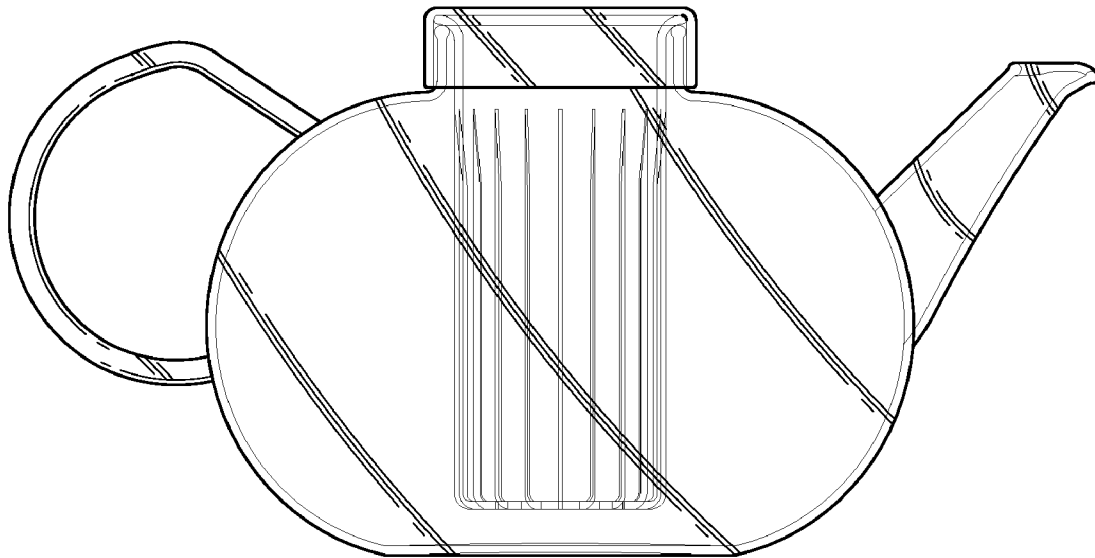


FIG. 3

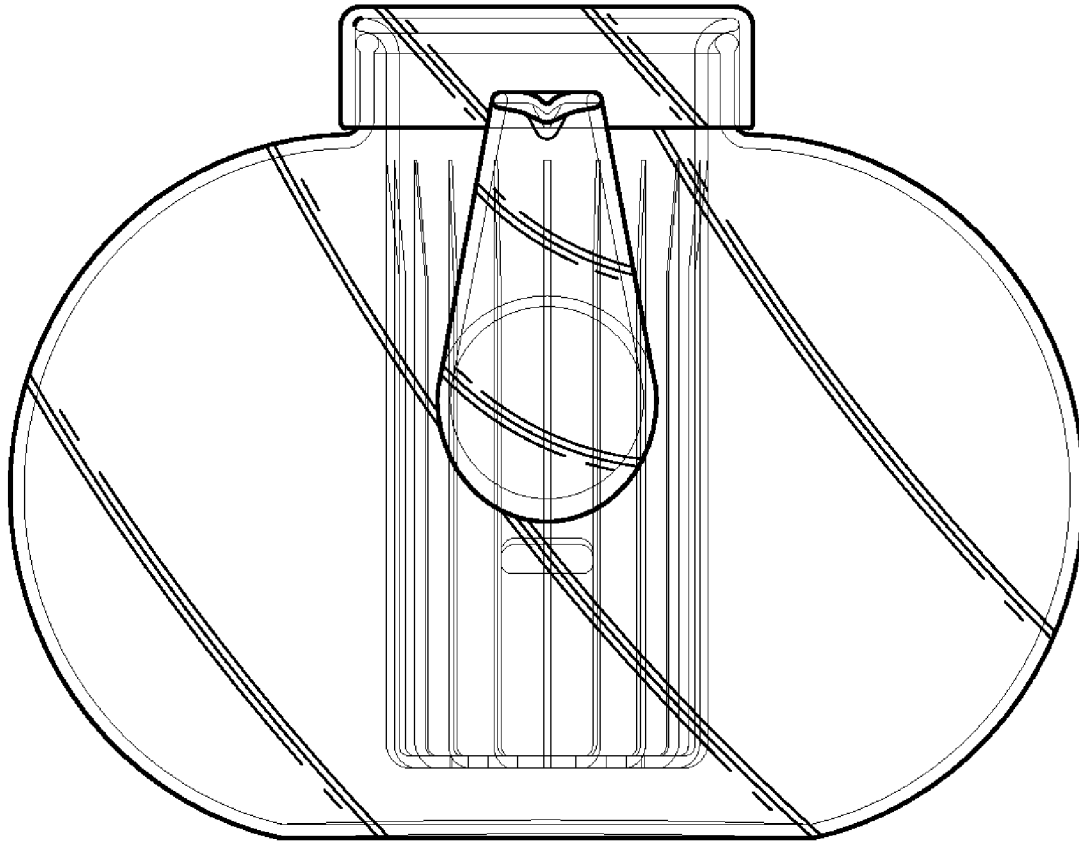


FIG. 4

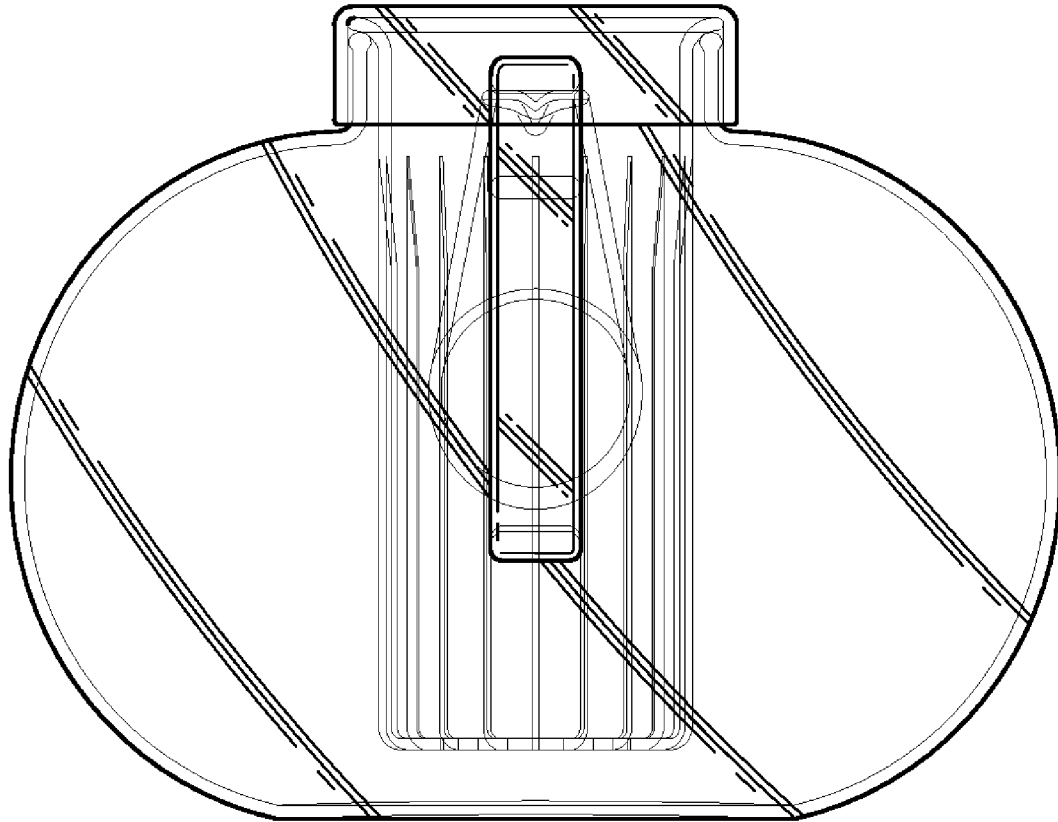


FIG. 5

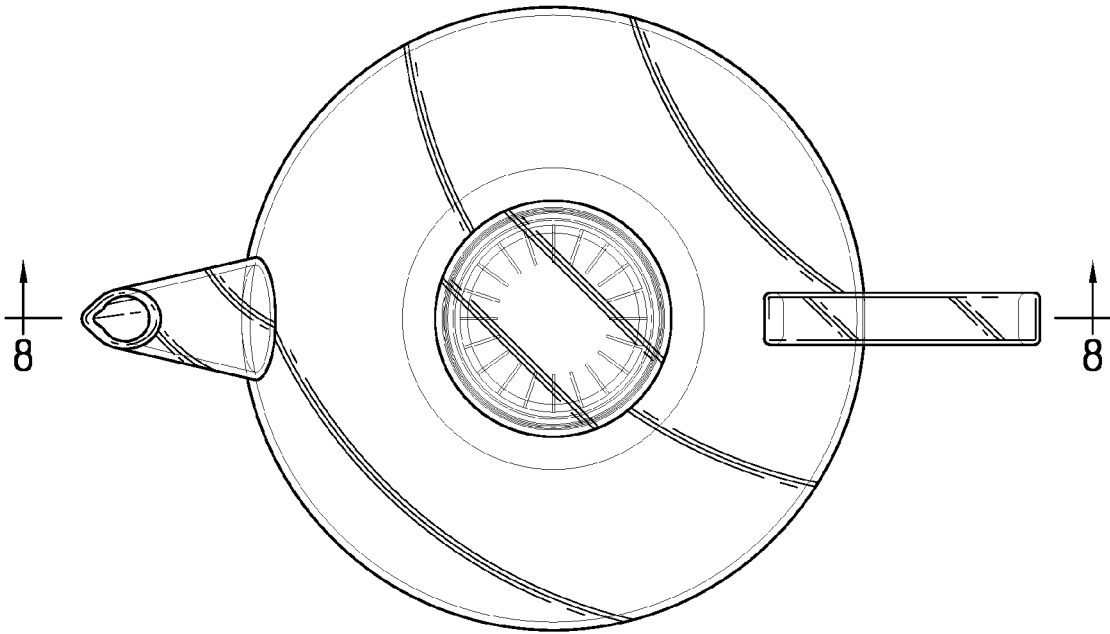


FIG. 6

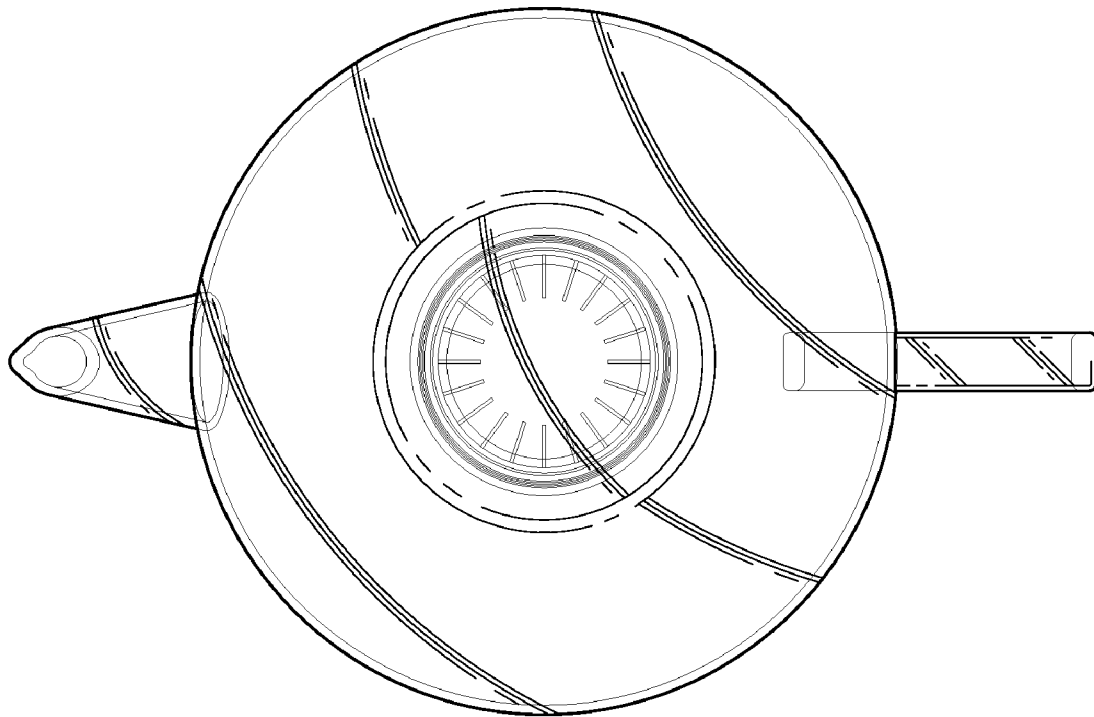


FIG. 7

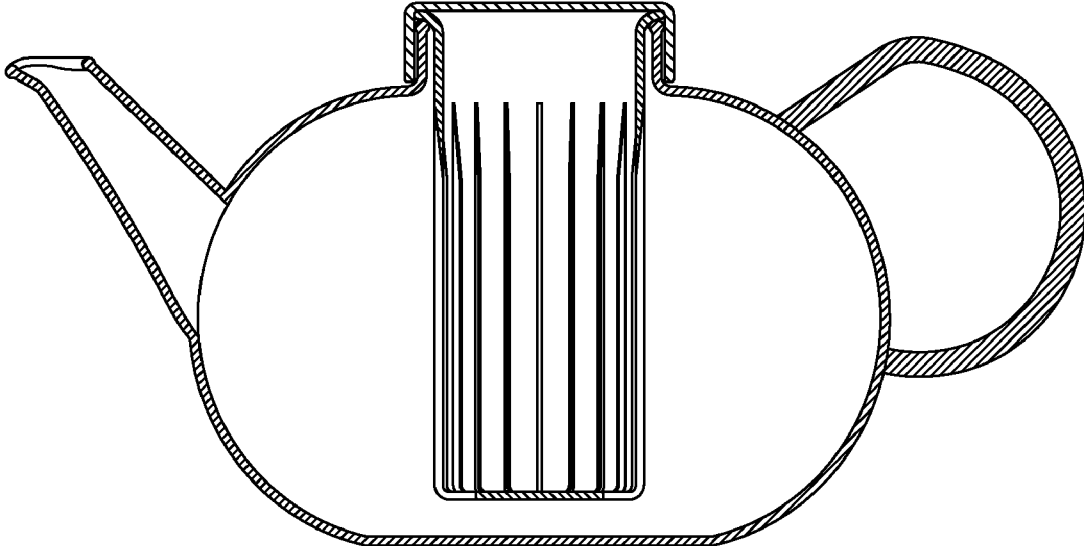


FIG. 8