



US00D799565S

(12) **United States Design Patent**
Broen et al.

(10) **Patent No.:** **US D799,565 S**
(45) **Date of Patent:** **** Oct. 10, 2017**

(54) **COOLER**
(71) Applicant: **PepsiCo, Inc.**, Purchase, NY (US)
(72) Inventors: **Martin Eduardo Broen**, New York, NY (US); **Stephen Lim**, Chappaqua, NY (US); **Christian Stolarz**, Brooklyn, NY (US); **David Jennings Lucas**, Austin, TX (US); **Salvatore Michael Primo**, Austin, TX (US)

(73) Assignee: **PepsiCo, Inc.**, Purchase, NY (US)

(**) Term: **15 Years**

(21) Appl. No.: **29/598,961**

(22) Filed: **Mar. 30, 2017**

(51) **LOC (10) Cl.** **15-07**

(52) **U.S. Cl.**
USPC **D15/81**

(58) **Field of Classification Search**

USPC D15/79-91
CPC F25D 25/025; F25D 23/028; F25D 2323/024; F25D 23/00; F25D 23/02; F25D 2323/021; F25D 23/065; F25D 11/00; F25D 2201/14; F25D 23/021; F25D 23/025; F25D 23/04; F25D 27/00; F25D 23/062; F25D 23/067; F25D 2400/18; F25D 23/08; F25D 23/085; F25D 2500/02; F25D 25/00; F25D 25/005; F25D 25/022; F25D 25/024; F25D 17/047; F25D 2317/041; F25D 2317/04131; F25D 2317/043; F25D 2317/0664; F25D 2321/147; F25D 2323/02; F25D 2323/023

See application file for complete search history.

(56) **References Cited**

U.S. PATENT DOCUMENTS

D244,019 S 4/1977 Brown
D271,107 S 10/1983 Trulaske

D363,398 S 10/1995 Branz et al.
5,803,560 A 9/1998 Trulaske, Sr. et al.
D421,534 S 3/2000 Trulaske, Sr. et al.
D449,844 S 10/2001 Kim
D481,224 S 10/2003 Draper
D481,740 S 11/2003 Li et al.
D513,014 S 12/2005 Seki
D518,836 S 4/2006 Reese et al.
D519,528 S 4/2006 Reese
D520,030 S 5/2006 Reese et al.
D520,532 S 5/2006 Reese et al.
D520,533 S 5/2006 Reese et al.
D541,315 S 4/2007 Trulaske, Sr.
D671,576 S 11/2012 Jafa et al.
D723,594 S 3/2015 Kim et al.
D736,272 S * 8/2015 Stolarz D15/81
D736,276 S 8/2015 Kim
D746,879 S 1/2016 Stolarz et al.
D747,367 S * 1/2016 Stolarz D15/81
D748,196 S * 1/2016 Kahn D20/8

(Continued)

Primary Examiner — Ian Simmons

Assistant Examiner — Khawaja Anwar

(74) *Attorney, Agent, or Firm* — Sterne, Kessler, Goldstein & Fox P.L.L.C.

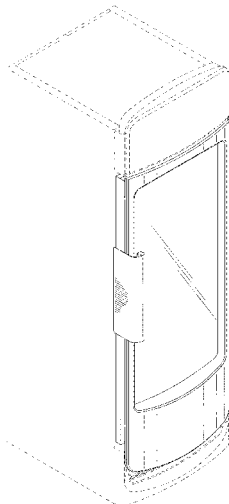
(57) **CLAIM**

The ornamental design for a cooler, as shown and described.

DESCRIPTION

FIG. 1 is a top front perspective view of a cooler showing the claimed design;
FIG. 2 is a front view thereof;
FIG. 3 is a rear view thereof;
FIG. 4 is a left side view thereof;
FIG. 5 is a right side view thereof;
FIG. 6 is a top view thereof; and,
FIG. 7 is a bottom view thereof.
The broken lines in the figures show portions of the cooler that form no part of the claimed design.

1 Claim, 7 Drawing Sheets



(56)

References Cited

U.S. PATENT DOCUMENTS

D748,689	S	2/2016	Girardi	
D762,741	S	8/2016	Galiatsis	
D762,742	S	8/2016	Galiatsis	
D776,171	S *	1/2017	Wang D15/88
9,532,660	B2 *	1/2017	Jafa A47F 3/0404
D787,565	S *	5/2017	Broen D15/81

* cited by examiner

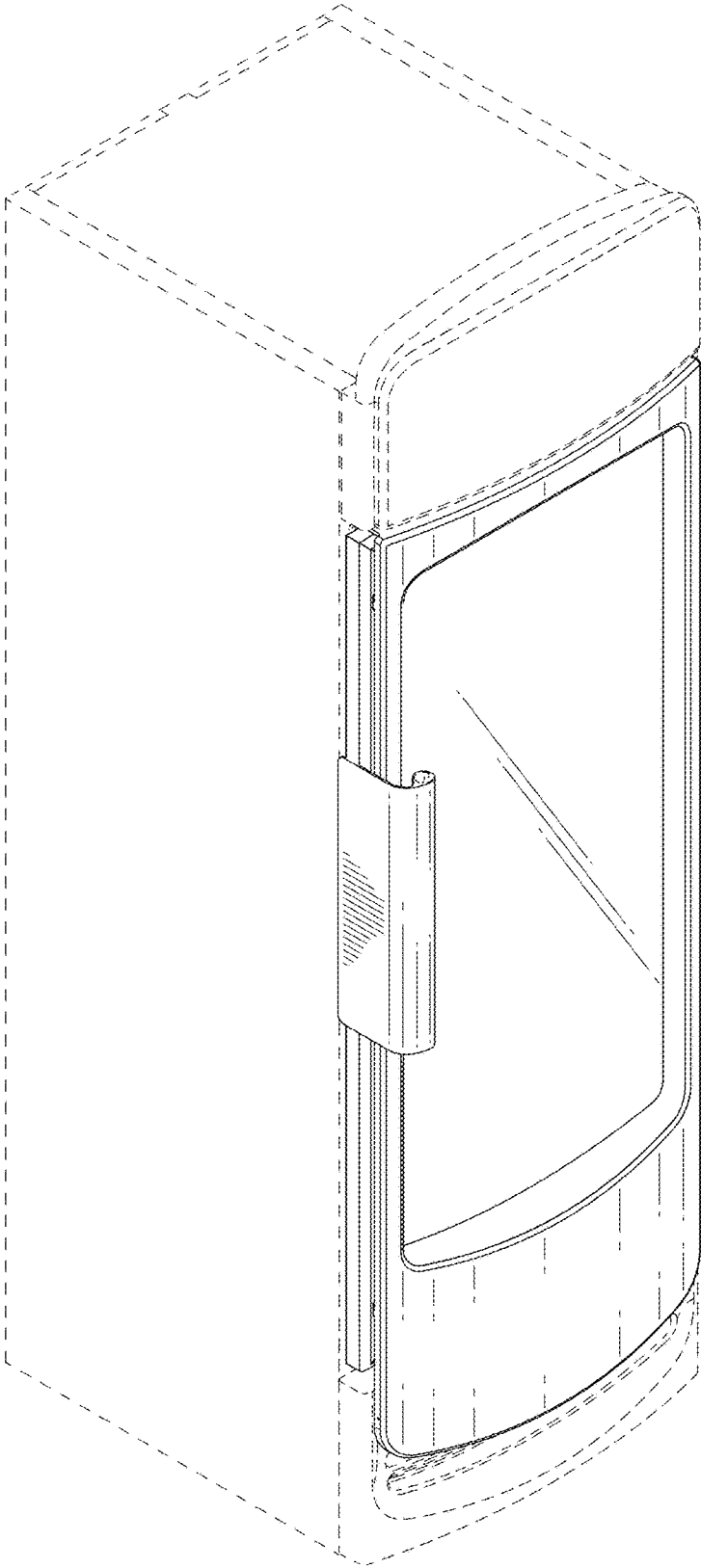


FIG. 1

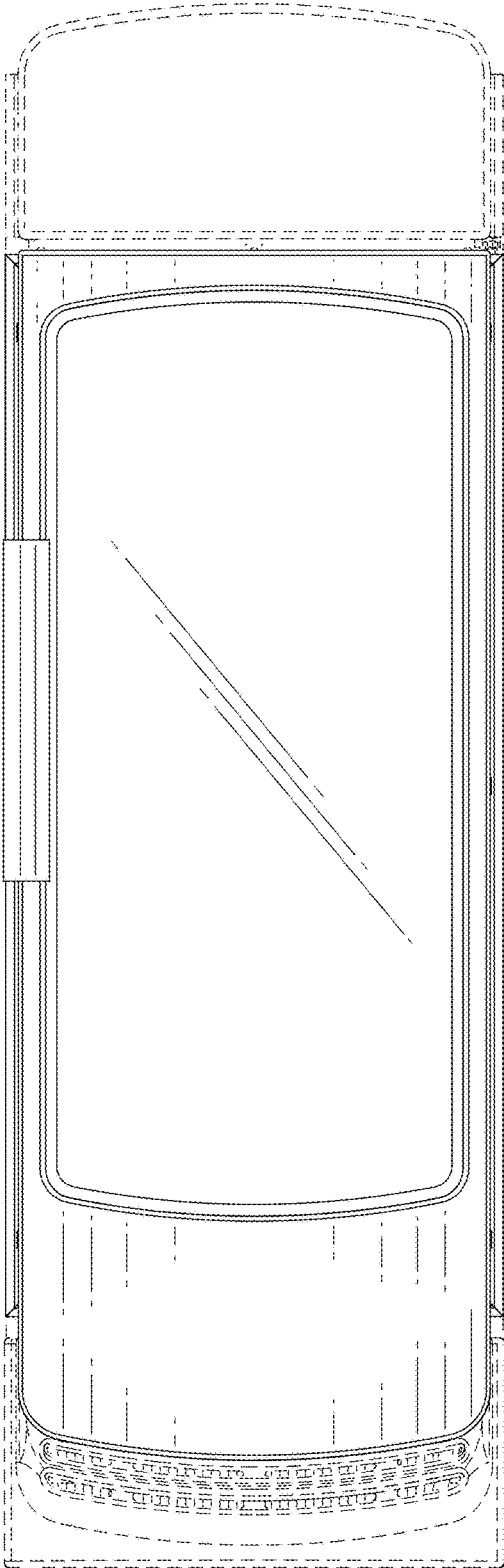


FIG. 2

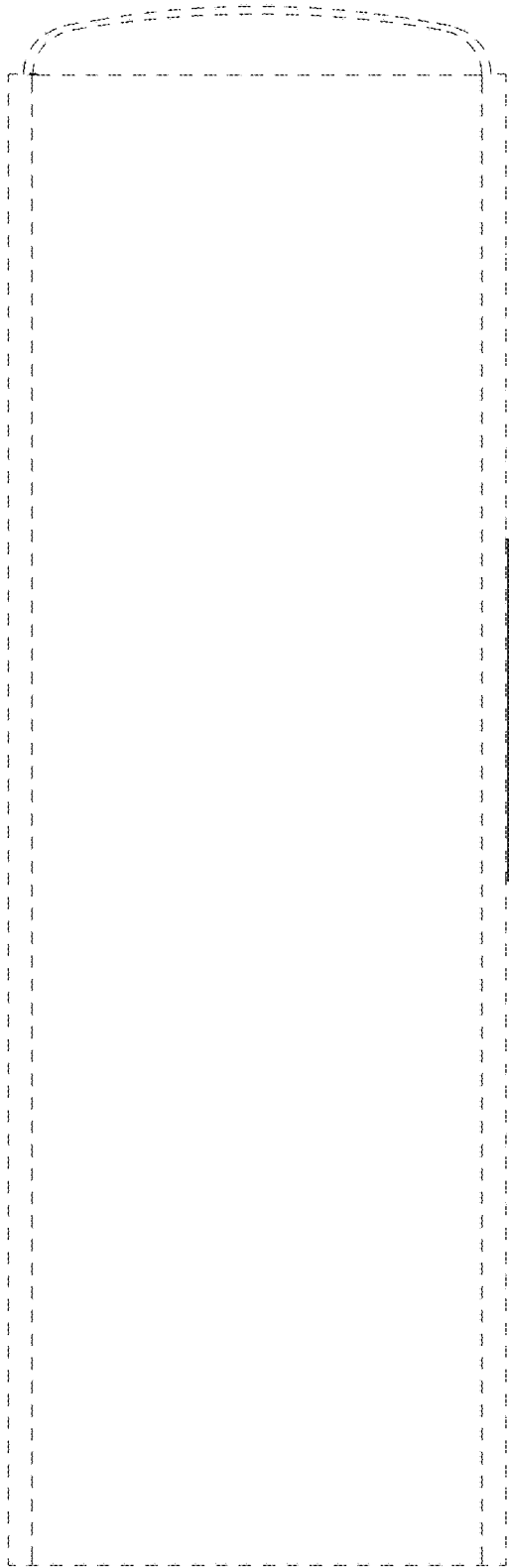


FIG. 3

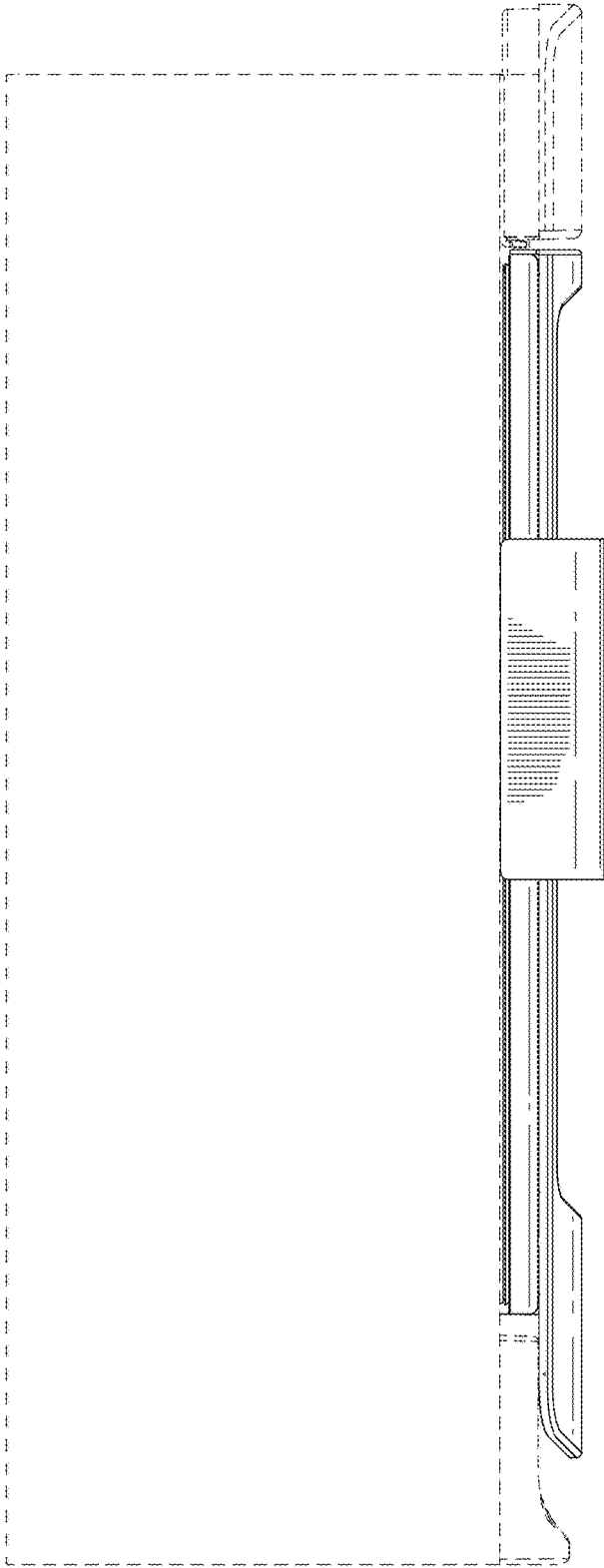


FIG. 4

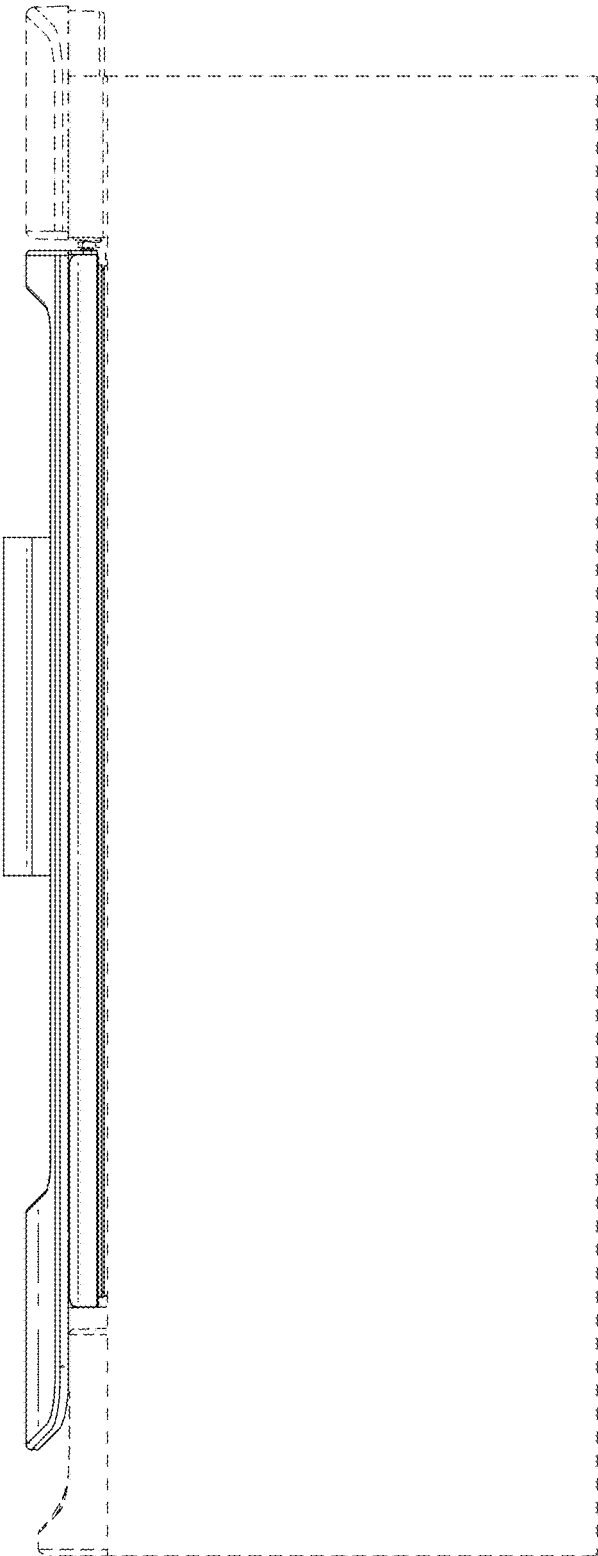


FIG. 5

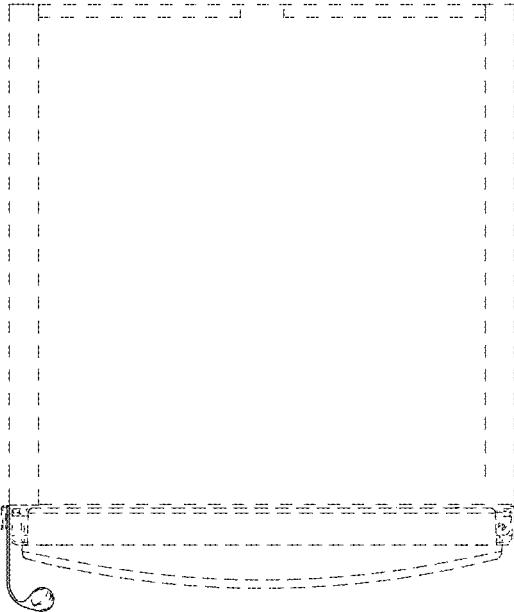


FIG. 6

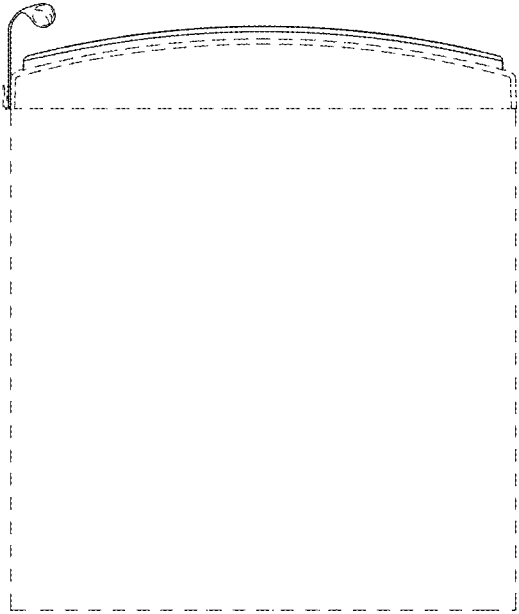


FIG. 7