



US00D690556S

(12) **United States Design Patent**  
**Boroski**

(10) **Patent No.:** **US D690,556 S**

(45) **Date of Patent:** **\*\* Oct. 1, 2013**

(54) **DRINK BOTTLE AND LID WITH  
OCTAGONAL GRIPS ON BOTTLE AND  
EIGHT GRIP LOCATIONS ON LID**

(75) Inventor: **Dwayne Boroski**, Lake in the Hills, IL  
(US)

(73) Assignee: **Thermos L.L.C.**, Schaumburg, IL (US)

(\*\*) Term: **14 Years**

(21) Appl. No.: **29/422,418**

(22) Filed: **May 21, 2012**

(51) **LOC (9) Cl.** ..... **07-01**

(52) **U.S. Cl.**  
USPC ..... **D7/510; D7/511**

(58) **Field of Classification Search**  
USPC ..... D7/608, 510, 511, 509, 523, 533,  
D7/536; 215/12.1, 13.1, 396; 220/703, 715,  
220/592.16

See application file for complete search history.

(56) **References Cited**

**U.S. PATENT DOCUMENTS**

D373,706 S *	9/1996	Gregg	.....	D7/511
D498,382 S *	11/2004	Davis	.....	D7/300.1
D572,531 S *	7/2008	Romandy et al.	.....	D7/510
D597,376 S *	8/2009	Reay	.....	D7/511

D609,521 S *	2/2010	Holsinger	.....	D7/313
D621,220 S *	8/2010	Lown et al.	.....	D7/510
D658,450 S *	5/2012	Ying	.....	D7/608
D658,944 S *	5/2012	Gilbert et al.	.....	D7/511
D660,648 S *	5/2012	Gilbert	.....	D7/510
D674,661 S *	1/2013	Shevin-Sandy	.....	D7/507
D682,041 S *	5/2013	Moran, Sr.	.....	D7/608

\* cited by examiner

*Primary Examiner* — Marianne Pandozzi

(74) *Attorney, Agent, or Firm* — Schiff Hardin LLP

(57) **CLAIM**

The ornamental design of the drink bottle and lid with octagonal grips on bottle and eight grip locations on lid, as shown and described.

**DESCRIPTION**

FIG. 1 is a top front right perspective view of a drink bottle and lid with octagonal grips on bottle and eight grip locations on lid showing my new design;

FIG. 2 is a bottom rear left perspective view thereof;

FIG. 3 is a right side elevational view thereof;

FIG. 4 is a front elevational view thereof;

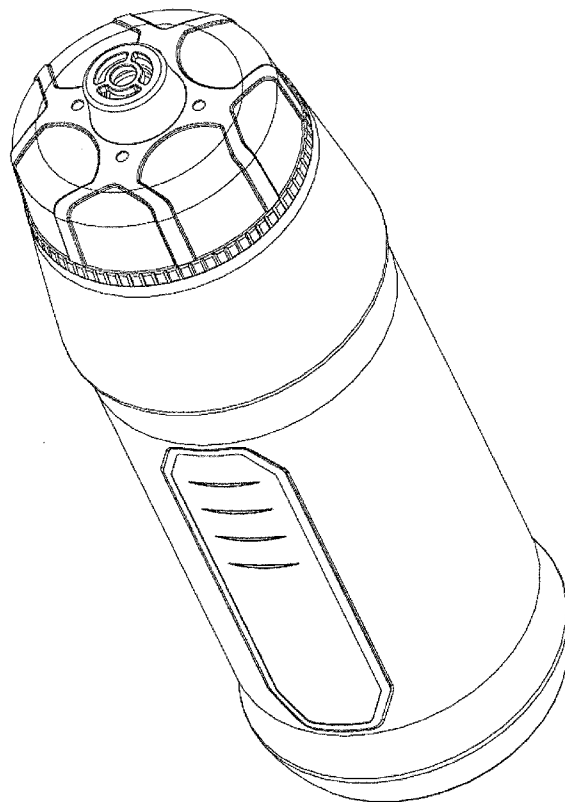
FIG. 5 is a left side elevational view thereof;

FIG. 6 is a rear elevational view thereof;

FIG. 7 is a top plan view thereof; and,

FIG. 8 is a bottom plan view thereof.

**1 Claim, 8 Drawing Sheets**



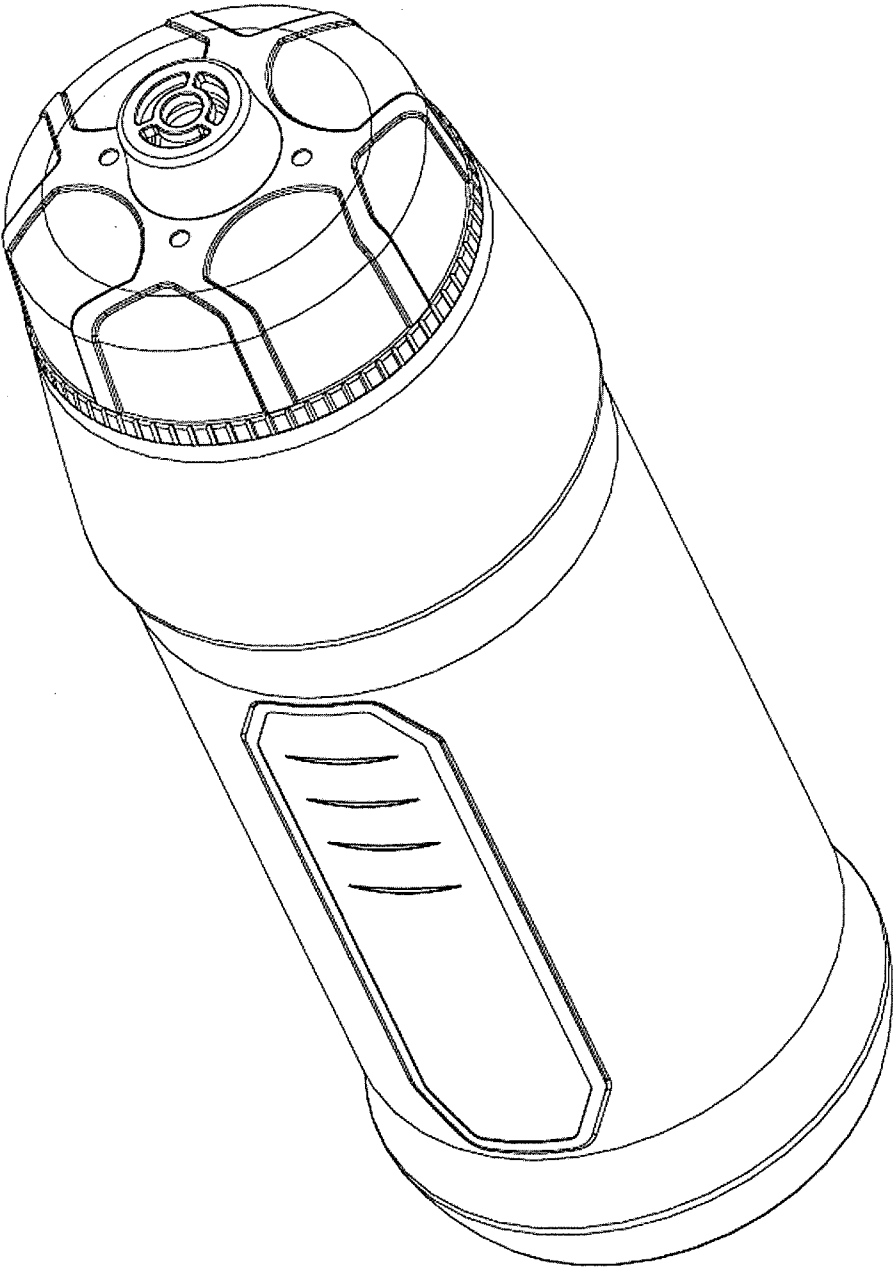


Figure 1

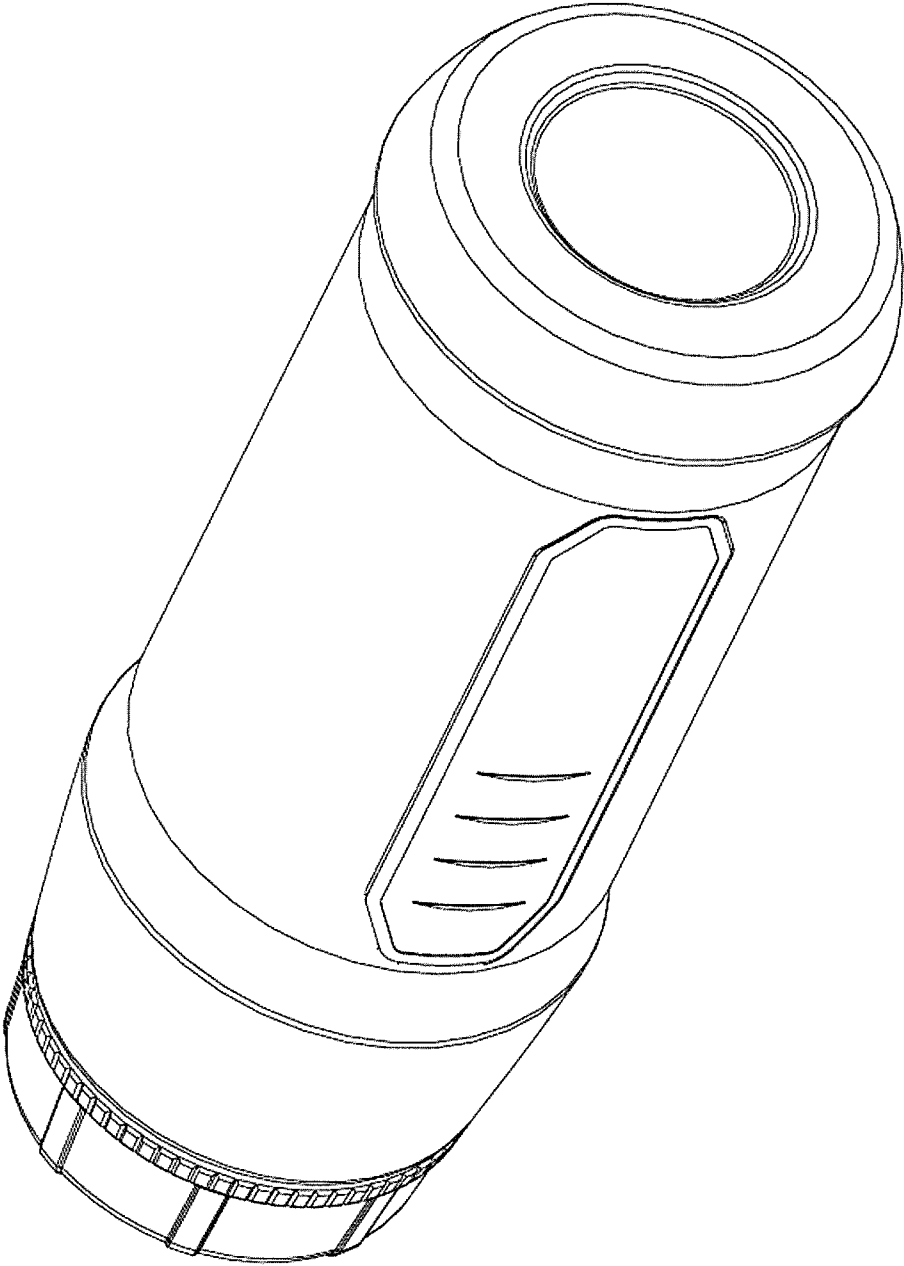


Figure 2

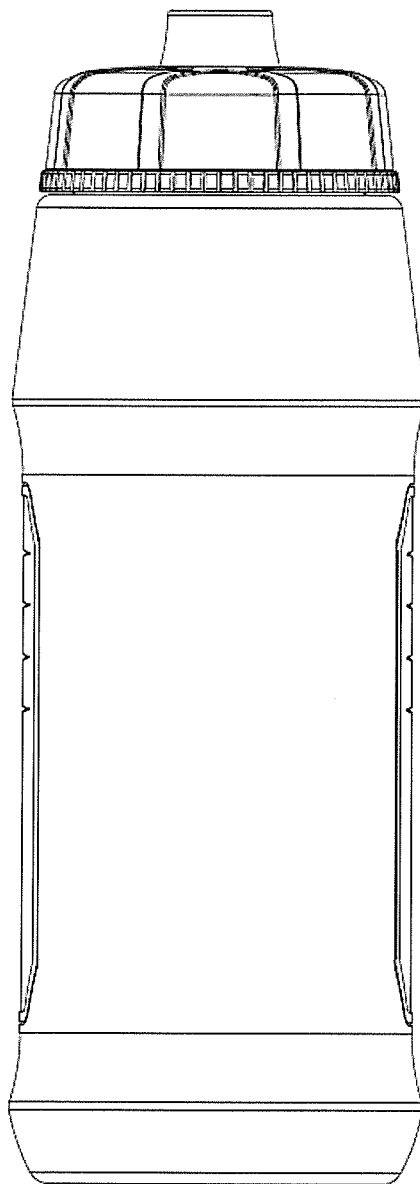


Figure 3

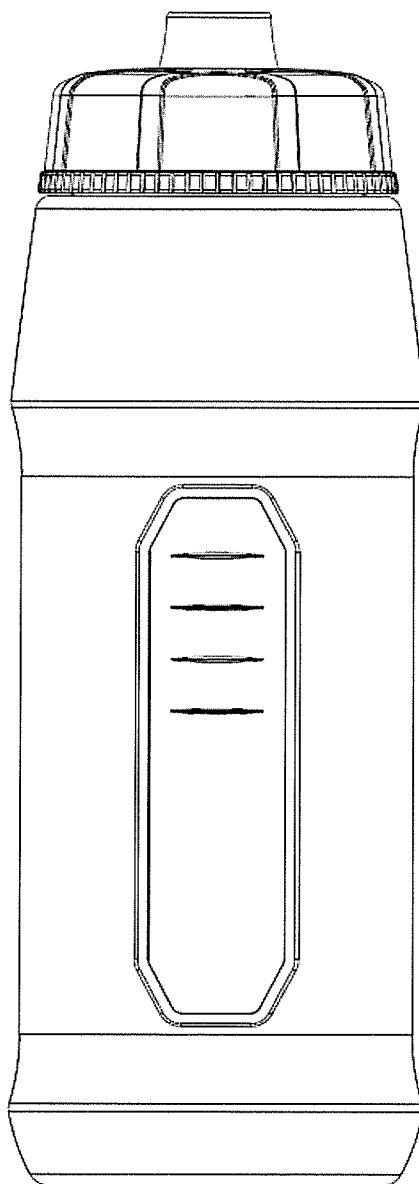


Figure 4

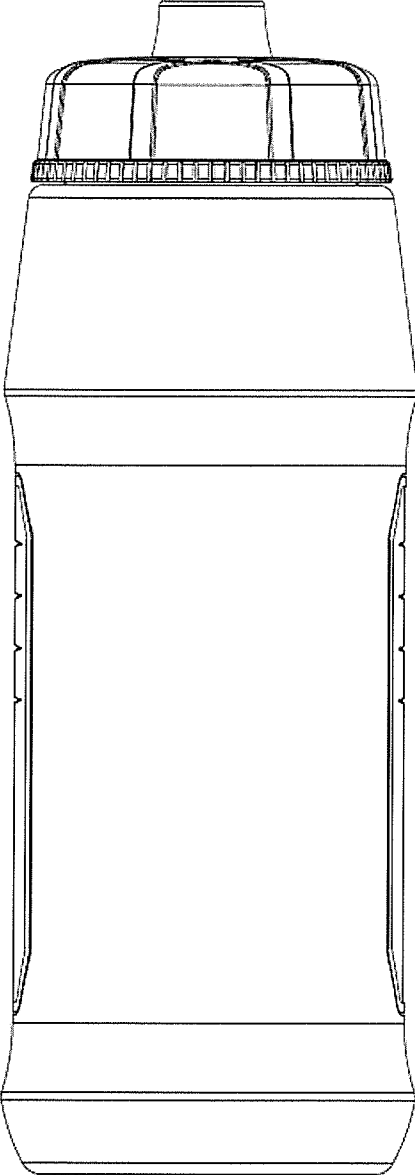


Figure 5

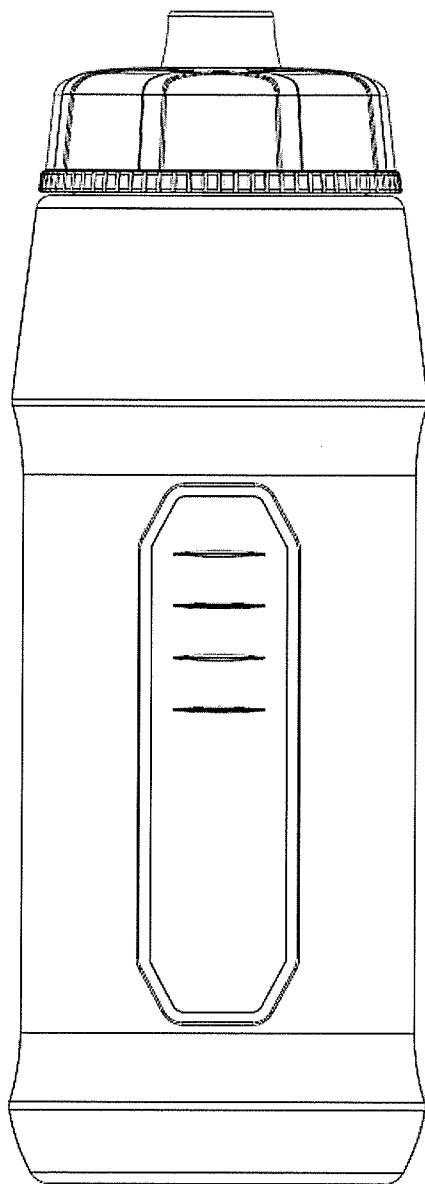


Figure 6

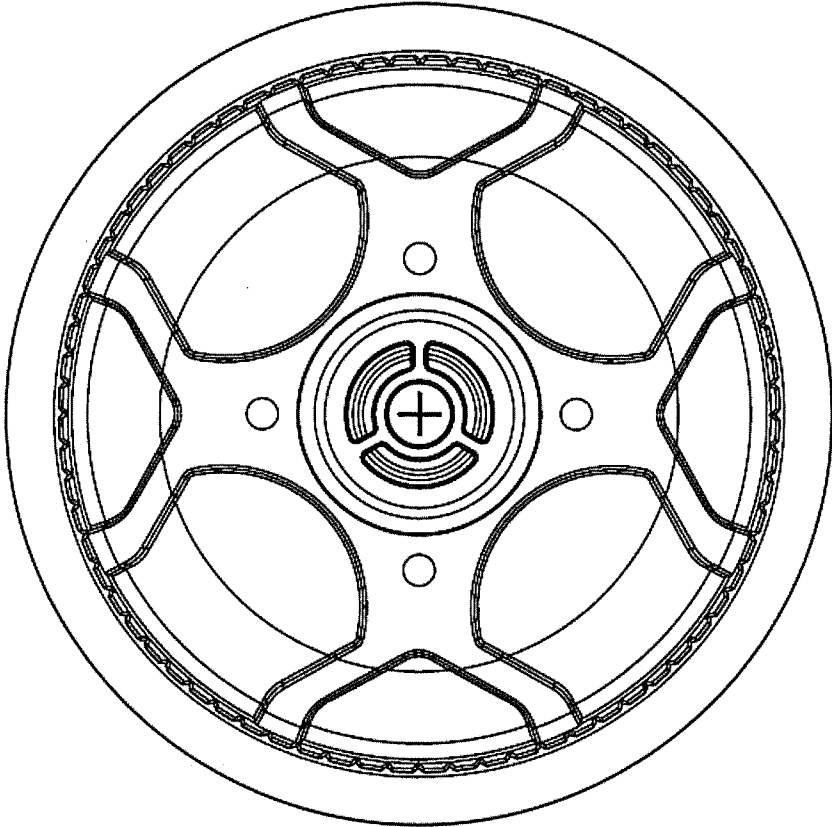


Figure 7



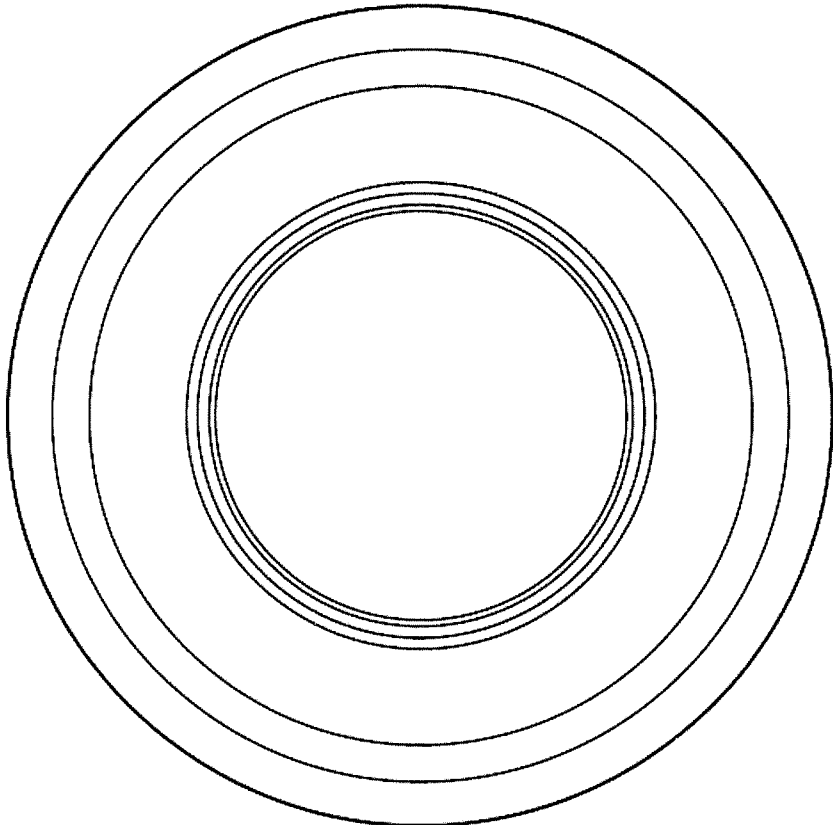


Figure 8