



US00D821760S

(12) **United States Design Patent**  
**Yan**

(10) **Patent No.:** **US D821,760 S**

(45) **Date of Patent:** **\*\* Jul. 3, 2018**

(54) **BRUSH HANDLE**

FOREIGN PATENT DOCUMENTS

(71) Applicant: **Markwins Beauty Products, Inc.**, City of Industry, CA (US)

BR D16602353 7/2006  
BR D16602354 7/2006

(Continued)

(72) Inventor: **Jun Jie Yan**, Shenzhen (CN)

(73) Assignee: **MARKWINS BEAUTY PRODUCTS, INC.**, City Of Industry, CA (US)

OTHER PUBLICATIONS

Instagram photograph of \_girly\_stuff\_ cosmetic brush collection by "wet n wild," [on-line]. Posted Jan. 24, 2016; retrieved from the Internet Feb. 7, 2018. URL: <https://www.instagram.com/p/BA77jsxJcxT/>. (1 page).\*

(Continued)

(\*\*) Term: **15 Years**

(21) Appl. No.: **29/630,693**

(22) Filed: **Dec. 22, 2017**

*Primary Examiner* — Karen E Eldridge Powers

(51) **LOC (11) Cl.** ..... **04-02**

(74) *Attorney, Agent, or Firm* — Denton K. Mak; Leech Tishman Fuscaldo & Lampl

(52) **U.S. Cl.**

USPC ..... **D4/138**

(58) **Field of Classification Search**

USPC ..... D4/104, 108, 111, 112, 113, 114, 115, D4/116, 117, 118, 119, 127, 128, 129, D4/130, 131, 132, 133, 134, 135, 136, D4/137, 138, 199

CPC .... A46B 9/02; A46B 9/021; A46B 2200/1046  
See application file for complete search history.

(57) **CLAIM**

I claim the ornamental design for the brush handle, as shown and described.

**DESCRIPTION**

FIG. 1 is a perspective view of the brush handle showing the new design;  
FIG. 2 is a front elevation view of the brush handle of FIG. 1;  
FIG. 3 is a rear elevation view of the brush handle of FIG. 1;  
FIG. 4 is a right side elevation view of the brush handle of FIG. 1;  
FIG. 5 is a left side elevation view of the brush handle of FIG. 1;  
FIG. 6 is a top plan view of the brush handle of FIG. 1; and, FIG. 7 is a bottom plan view of the brush handle of FIG. 1. The broken lines in the drawings illustrate portions of the article of manufacture that form no part of the claimed design.

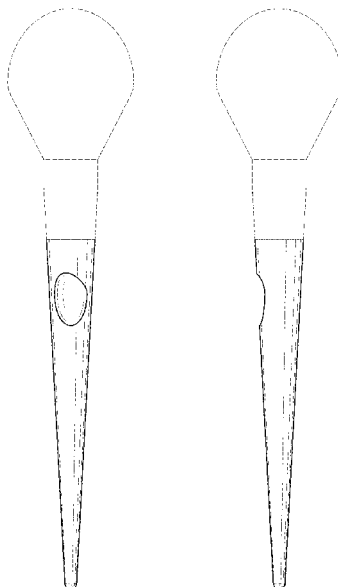
(56) **References Cited**

U.S. PATENT DOCUMENTS

D35,577	S *	1/1902	Jacobson	15/443
D120,382	S *	5/1940	Kerr	D4/104
D122,135	S *	8/1940	Duey	D4/104
D161,695	S *	1/1951	La Mura	15/184
2,602,457	A *	7/1952	Mele	A45D 24/16
				132/120
3,276,062	A *	10/1966	Palumbo	B01L 99/00
				15/104.94
4,076,427	A *	2/1978	Anderson	A46B 5/02
				401/198
D269,357	S *	6/1983	Jagger	D19/180

(Continued)

**1 Claim, 4 Drawing Sheets**



(56)

References Cited

U.S. PATENT DOCUMENTS

D294,281 S \* 2/1988 Song ..... D19/186  
 D360,486 S \* 7/1995 Schultz ..... D28/76  
 D453,531 S \* 2/2002 Simon ..... D19/163  
 D455,272 S \* 4/2002 Zemel ..... D4/132  
 D458,761 S 6/2002 Mason et al.  
 D459,896 S 7/2002 Kapp  
 D517,815 S 3/2006 Kaposi  
 D536,530 S 2/2007 Peterson  
 D562,566 S 2/2008 Mink  
 D615,419 S \* 5/2010 Owen ..... D28/7  
 D628,393 S 12/2010 Burrige  
 D630,437 S 1/2011 Carey  
 D758,742 S \* 6/2016 Nicoline ..... D4/138  
 D776,941 S \* 1/2017 Nicoline ..... D4/138  
 D788,471 S \* 6/2017 Dunaway ..... D4/135  
 D794,965 S \* 8/2017 Salm ..... D4/138  
 D794,966 S \* 8/2017 Salm ..... D4/138  
 D795,596 S \* 8/2017 Salm ..... D4/138  
 D800,457 S \* 10/2017 Kaicker ..... D4/138  
 D802,308 S \* 11/2017 Salm ..... D4/138  
 D802,938 S \* 11/2017 Nicoline ..... D4/135  
 2016/0262528 A1\* 9/2016 Telwar ..... A46B 3/10

FOREIGN PATENT DOCUMENTS

BR D16602370 7/2006  
 BR D16602517 7/2006  
 BR D16904266 7/2006  
 BR D16602844 7/2006  
 BR D16900314 2/2009  
 BR D16900315 2/2009  
 CA 98925 10/2003  
 CA 134521 10/2011  
 CA 142985 6/2012  
 CN 201330285512.3 12/2013  
 CN 201530070318.2 3/2015  
 CN 201530070378.4 3/2015  
 CN 201530070433.X 3/2015  
 DE M8900942-0001 7/1990

DE M9004961-0002 12/1991  
 DE 402011001038-0001 6/2011  
 EM 000203229-0001 7/2004  
 EM 000788013-0002 9/2007  
 EM 000788013-0003 9/2007  
 EM 000788013-0009 9/2007  
 EM 000788013-0012 9/2007  
 EM 001421028-0001 9/2014  
 FR 20142723-0002 6/2014  
 FR 20142723-0003 6/2014  
 FR 20142723-0004 6/2014  
 FR 20142723-0021 6/2014  
 GB 4027892 12/2012

OTHER PUBLICATIONS

Article from wet n wild homepage entitled, "about us," [on-line]. Retrieved from the Internet Feb. 14, 2018. URL: <<https://www.wetnwildbeauty.com/about-us>>. (8 pages, see p. 5 for date Markwins purchased wet n wild).\*

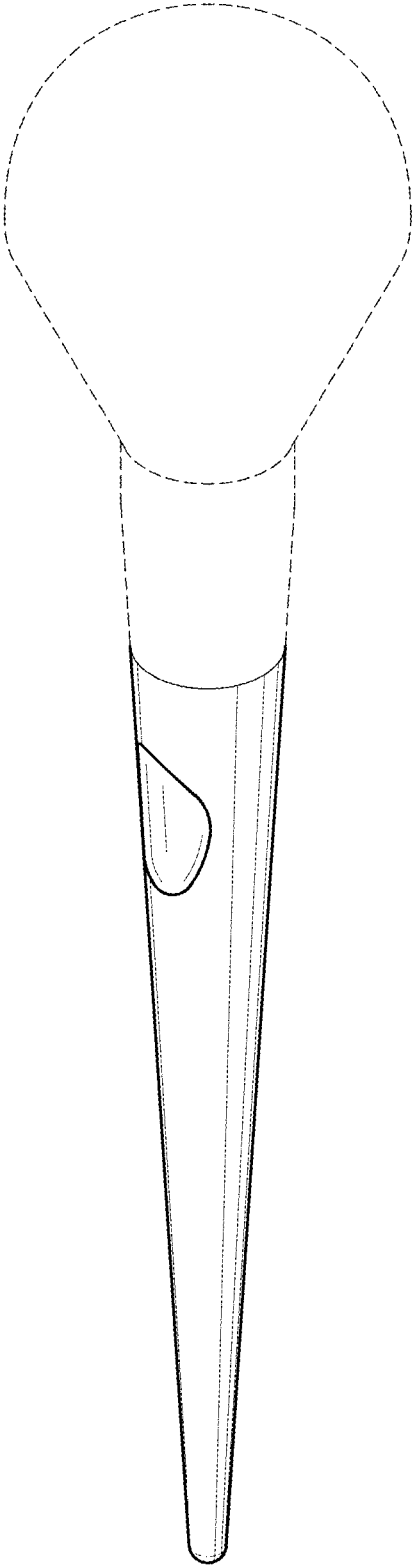
Photographs of "wet n wild" cosmetic brushes in article entitled, "New Products from Wet n Wild—Hits & Misses," by Katie Marie [on-line]. Posted Feb. 19, 2016; retrieved from the Internet Feb. 7, 2018. URL: <<https://www.frommyvanity.com/2016/02/new-products-from-wet-n-wild-hits-misses.html>>. (5 pages).\*

Photograph on Pinterest of "wet n wild" cosmetic brushes [on-line]. Posted by Trend2Wear Mar. 13, 2016; retrieved from the Internet Feb. 7, 2018. URL: <<https://www.pinterest.com/pin/234046511866363195/>>. (2 pages).\*

Screen shot from YouTube video entitled, "New Wet n Wild products for 2016," [on-line]. Published Jan. 9, 2016 by all4one1fourall; retrieved from the Internet Feb. 7, 2018. URL: <<https://www.youtube.com/watch?v=MLwPPQTikZM>>. (1 page).\*

SPSG Sherman Patent Search Group, design search report on global industrial design references for the rush design; dated May 3, 2017; 25 pages.

\* cited by examiner



*FIG. 1*

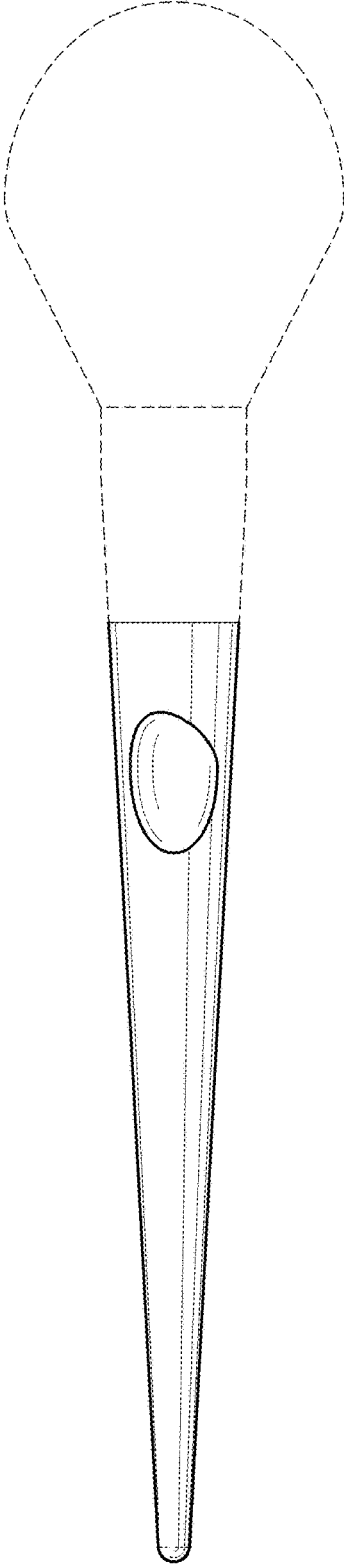


FIG. 2

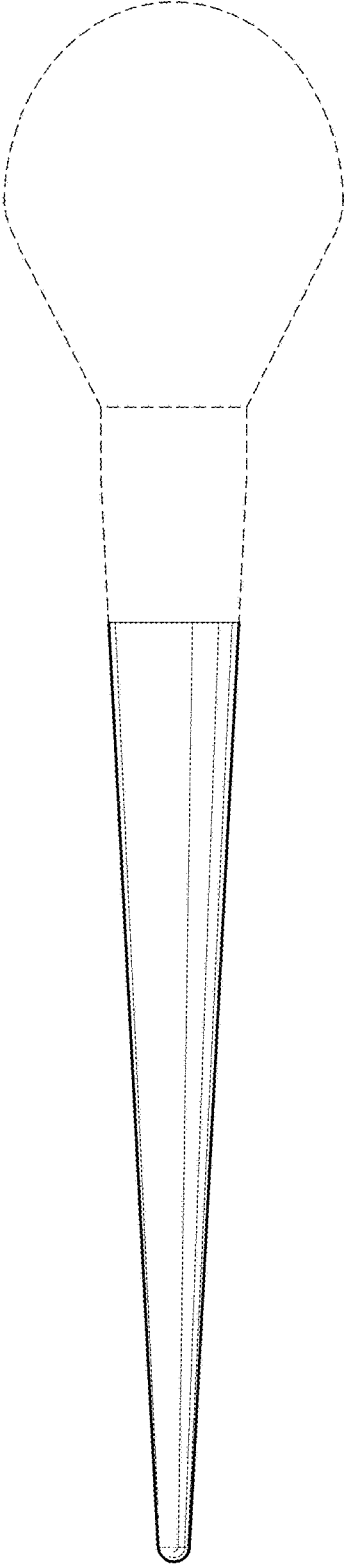


FIG. 3

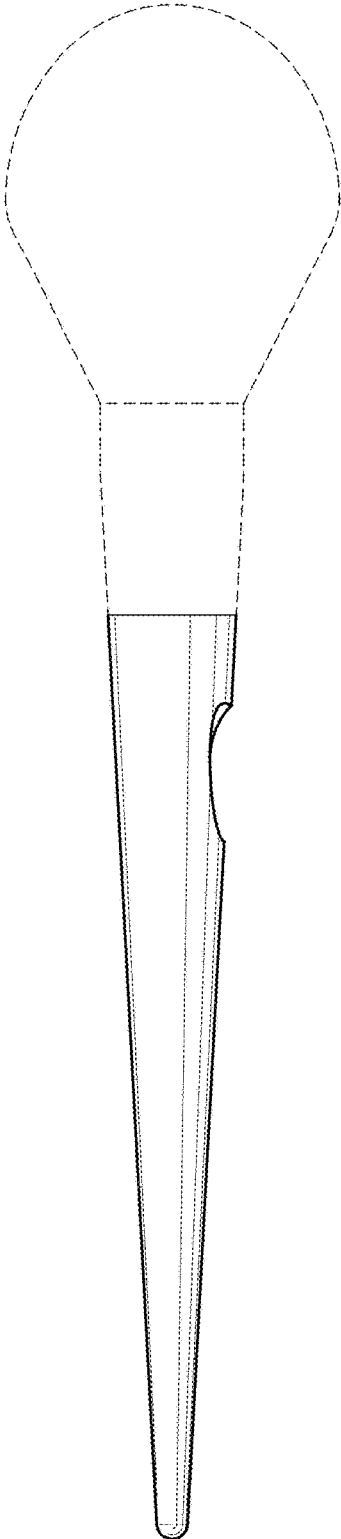


FIG. 4

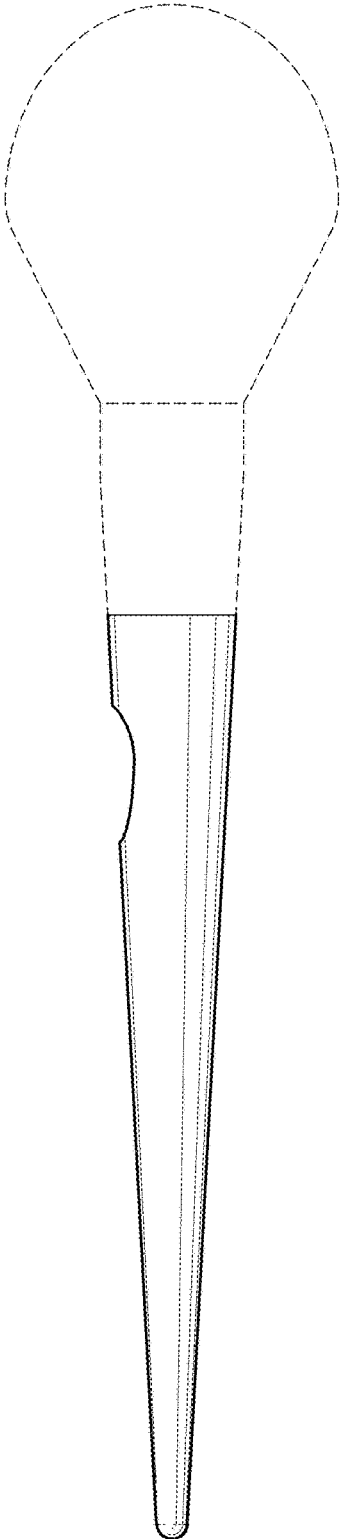
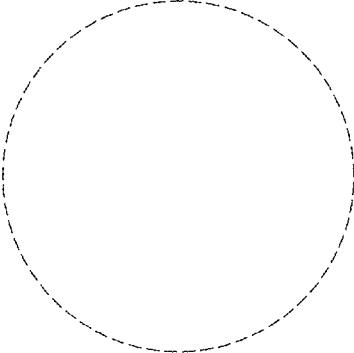
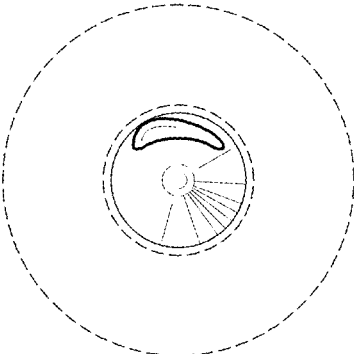


FIG. 5



*FIG. 6*



*FIG. 7*