



(12) **United States Design Patent**
Wortell

(10) **Patent No.:** **US D830,080 S**
(45) **Date of Patent:** **** Oct. 9, 2018**

(54) **BRUSH AND RAZOR STAND**

- (71) Applicant: **Joseph Wortell**, Chicago, IL (US)
- (72) Inventor: **Joseph Wortell**, Chicago, IL (US)
- (**) Term: **15 Years**
- (21) Appl. No.: **29/615,469**
- (22) Filed: **Aug. 29, 2017**

Related U.S. Application Data

- (62) Division of application No. 29/569,052, filed on Jun. 23, 2016, now Pat. No. Des. 802,328.
- (51) **LOC (11) Cl.** **28-03**
- (52) **U.S. Cl.**
USPC **D6/526**
- (58) **Field of Classification Search**
USPC D6/526, 524, 527, 540, 534, 528;
D9/748, 749; 206/208, 209, 228, 361,
206/362.1, 362.2, 362.3; 211/13.1, 66,
211/70.6, 86.01, 87.01, 89.01, 127, 176.1,
211/200, 205.5, 309.1, 314
CPC A45D 27/29; B26B 21/00; B26B 21/06;
B26B 29/00; B44D 3/14; B44D 3/123;
A46B 17/02; A46B 2200/1046
See application file for complete search history.

(56) **References Cited**

U.S. PATENT DOCUMENTS

D608,577 S *	1/2010	Racanelli	D6/534
D632,110 S *	2/2011	Cooper	D6/526
D761,586 S *	7/2016	Kulshreshtha	D6/526
D792,719 S *	7/2017	Wortell	D6/526
D802,328 S *	11/2017	Wortell	D6/526

OTHER PUBLICATIONS

Shamsian, Jacob. 32 photos that show how obsessed Japan is with minimalism. Jun. 21, 2016. This Is Insider Design. <http://www.thisisinsider.com/inside-japans-extremely-minimalist-homes-2016-6>.

* cited by examiner

Primary Examiner — Wan Laymon
Assistant Examiner — Mark Booker
(74) *Attorney, Agent, or Firm* — Law Office of Lesley A. Wallerstein, LLC

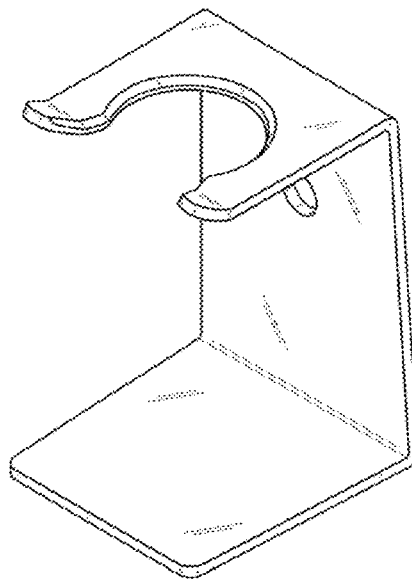
(57) **CLAIM**

The ornamental design for a brush and razor stand, as shown and described.

DESCRIPTION

FIG. 1 is a perspective view of a brush and razor stand according to the present invention.
FIG. 2 is a front view of the brush and razor stand of FIG. 1.
FIG. 3 is a rear view of the brush and razor stand of FIG. 1.
FIG. 4 is a left side view of the brush and razor stand of FIG. 1.
FIG. 5 is a right side view of the brush and razor stand of FIG. 1.
FIG. 6 is a top view of the brush and razor stand of FIG. 1; and,
FIG. 7 is a bottom view of the brush and razor stand of FIG. 1.

1 Claim, 4 Drawing Sheets



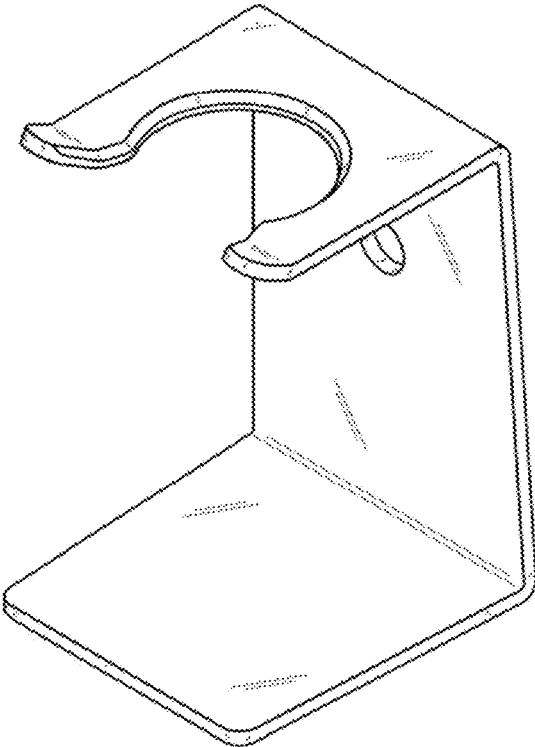


FIG. 1

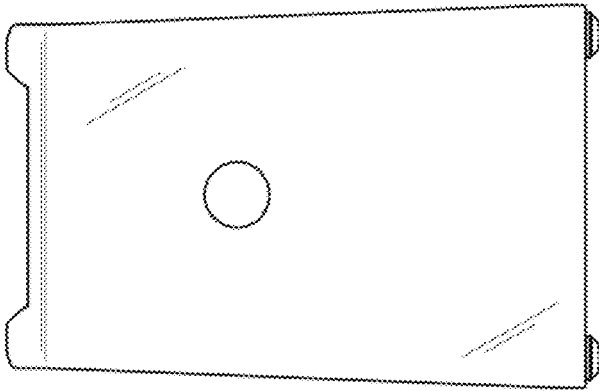


FIG. 3

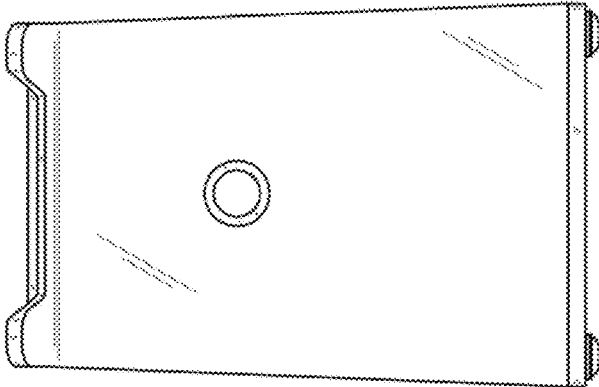


FIG. 2

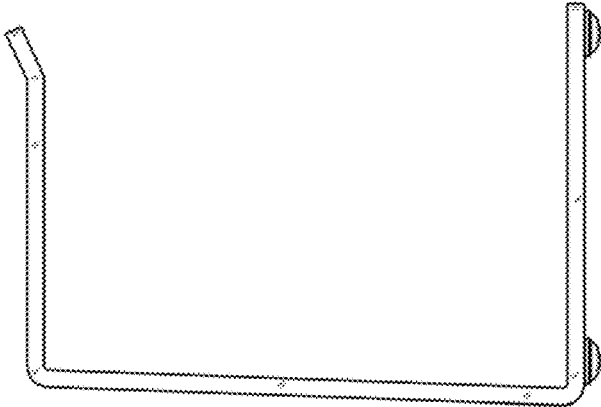


FIG. 5

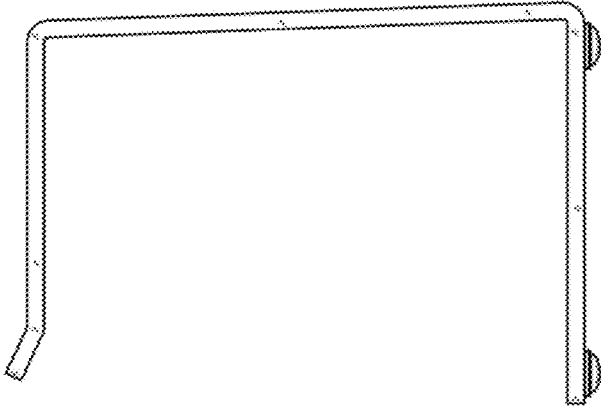


FIG. 4

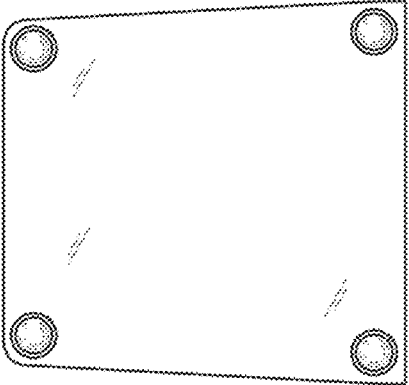


FIG. 6

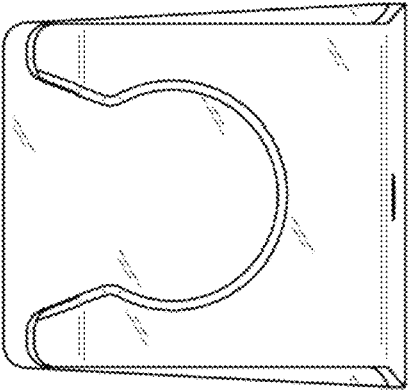


FIG. 7