



US00D449684B1

(12) **United States Design Patent** (10) **Patent No.:** **US D449,684 S**  
**Christrup et al.** (45) **Date of Patent:** **\*\* Oct. 23, 2001**

(54) **INHALER**

(74) *Attorney, Agent, or Firm*—Nixon & Vanderhye

(75) **Inventors:** **Søren Christrup**, Struer; **Anders Geert-Jensen**, Højberg; **Mikal Jørgensen**, Århus; **Jørgen Rasmussen**, Struer; **Hugo Dines Schmidt**, Århus, all of (DK)

(57) **CLAIM**

The ornamental design for an inhaler, as shown and described.

(73) **Assignee:** **AstraZeneca AB**

**DESCRIPTION**

(\*\*) **Term:** **14 Years**

(21) **Appl. No.:** **29/130,006**

(22) **Filed:** **Sep. 25, 2000**

(30) **Foreign Application Priority Data**

Mar. 24, 2000 (SE) ..... 00-0585

(51) **LOC (7) Cl.** ..... **29-02**

(52) **U.S. Cl.** ..... **D24/110**

(58) **Field of Search** ..... D24/110; 128/200.23, 128/203.15, 200.14, 202.22, 205.23, 203.12, 203.23

FIG. 1 is a perspective view of the inhaler with the cover closed.

FIG. 2 shows a bottom elevation of the inhaler with the cover closed.

FIG. 3 shows a rear elevation of the inhaler with the cover closed.

FIG. 4 shows a top elevation of the inhaler with the cover closed.

FIG. 5 shows a side elevation of the inhaler with the cover closed.

FIG. 6 shows a front elevation of the inhaler with the cover closed.

FIG. 7 shows a perspective view of the inhaler with the cover open.

FIG. 8 shows a front elevation of the inhaler with the cover open.

FIG. 9 shows a side elevation of the inhaler with the cover open.

FIG. 10 shows a bottom elevation of the inhaler with the cover open.

FIG. 11 shows a top elevation of the inhaler with the cover open; and,

FIG. 12 shows a rear elevation of the inhaler with the cover open.

(56) **References Cited**

**U.S. PATENT DOCUMENTS**

D. 348,929 \* 7/1994 Paton ..... D24/110

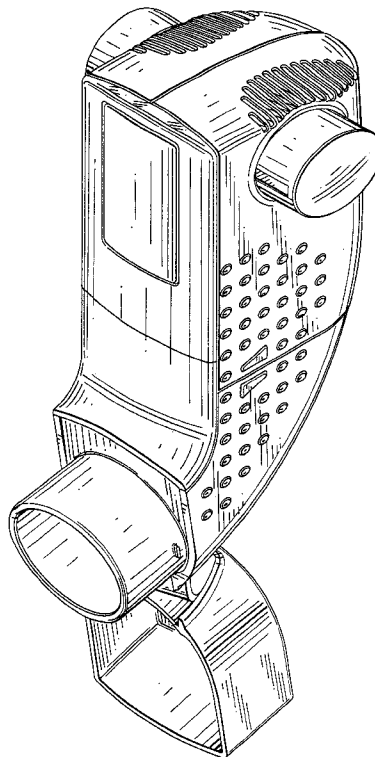
5,755,218 \* 5/1998 Johansson et al. .... 128/200.14

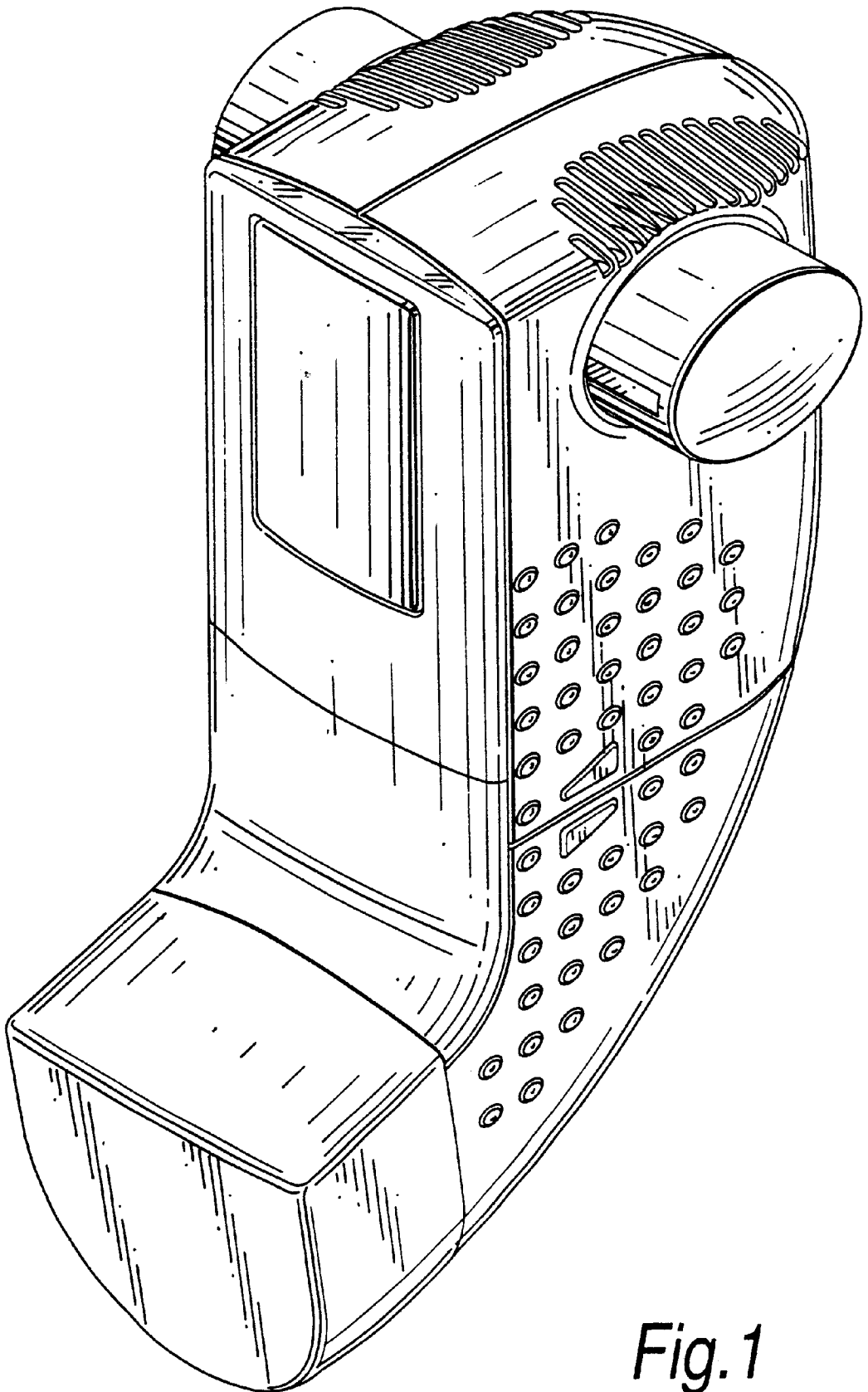
5,899,200 \* 5/1999 McNary ..... 128/200.14

\* cited by examiner

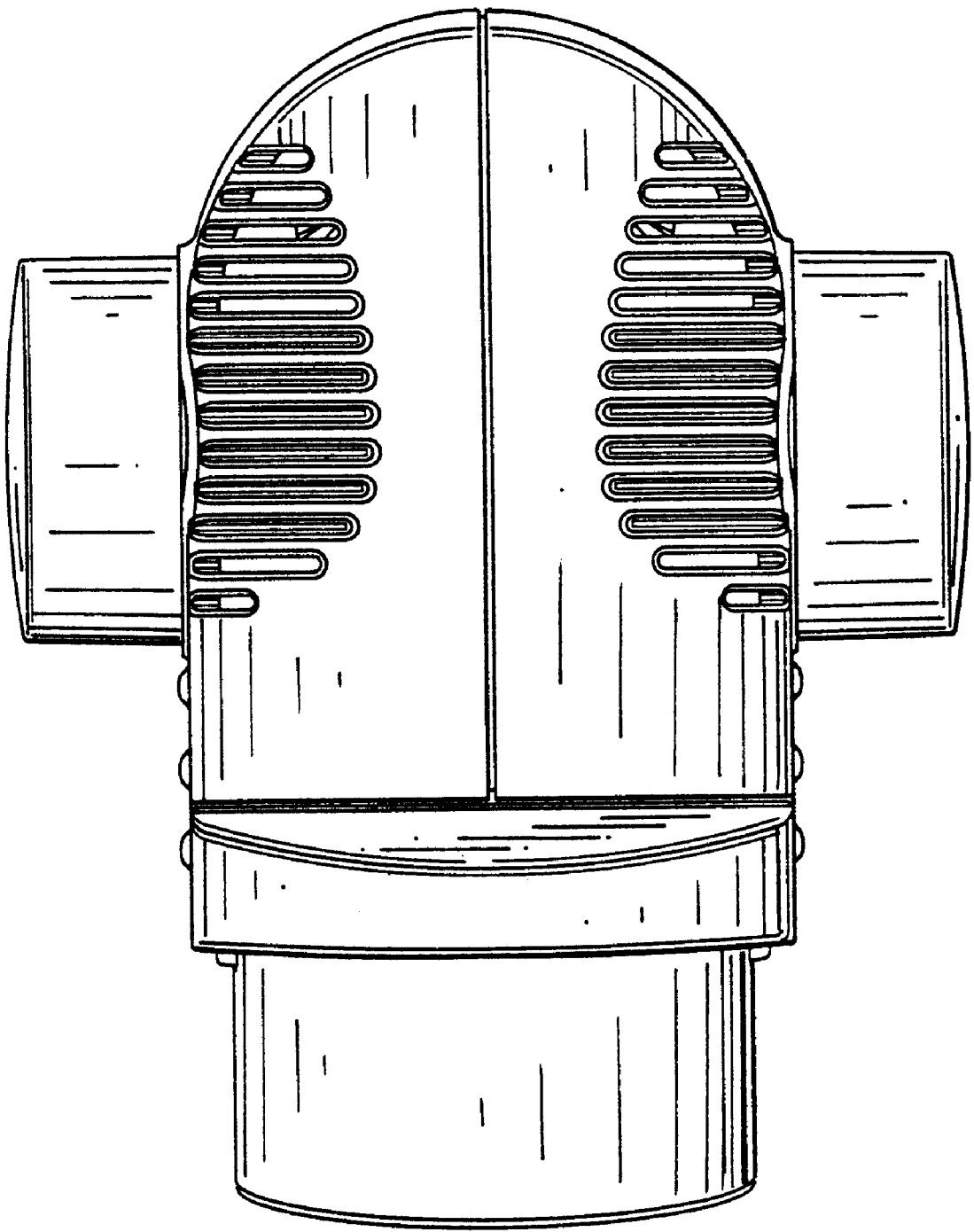
*Primary Examiner*—Ian Simmons

**1 Claim, 12 Drawing Sheets**

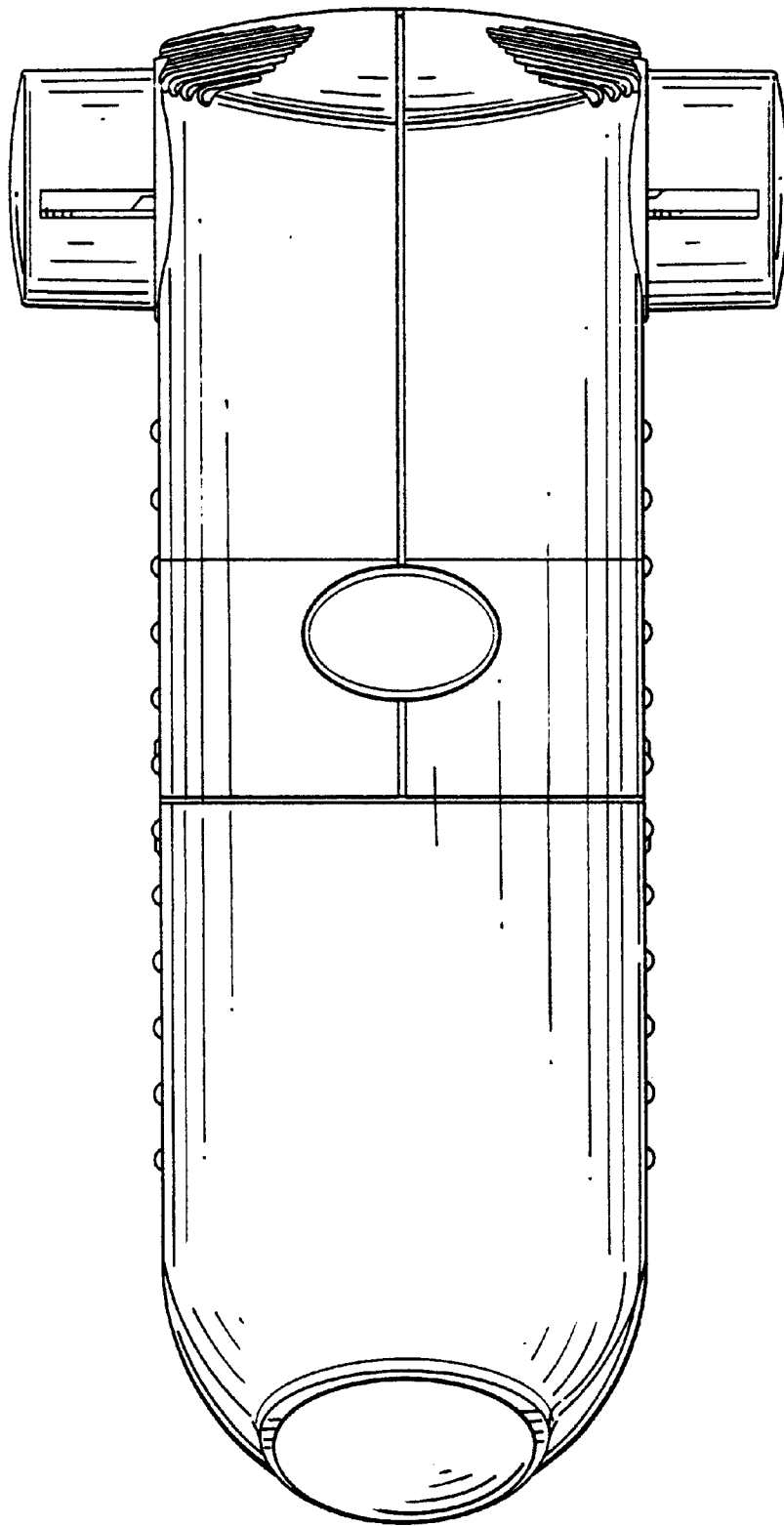




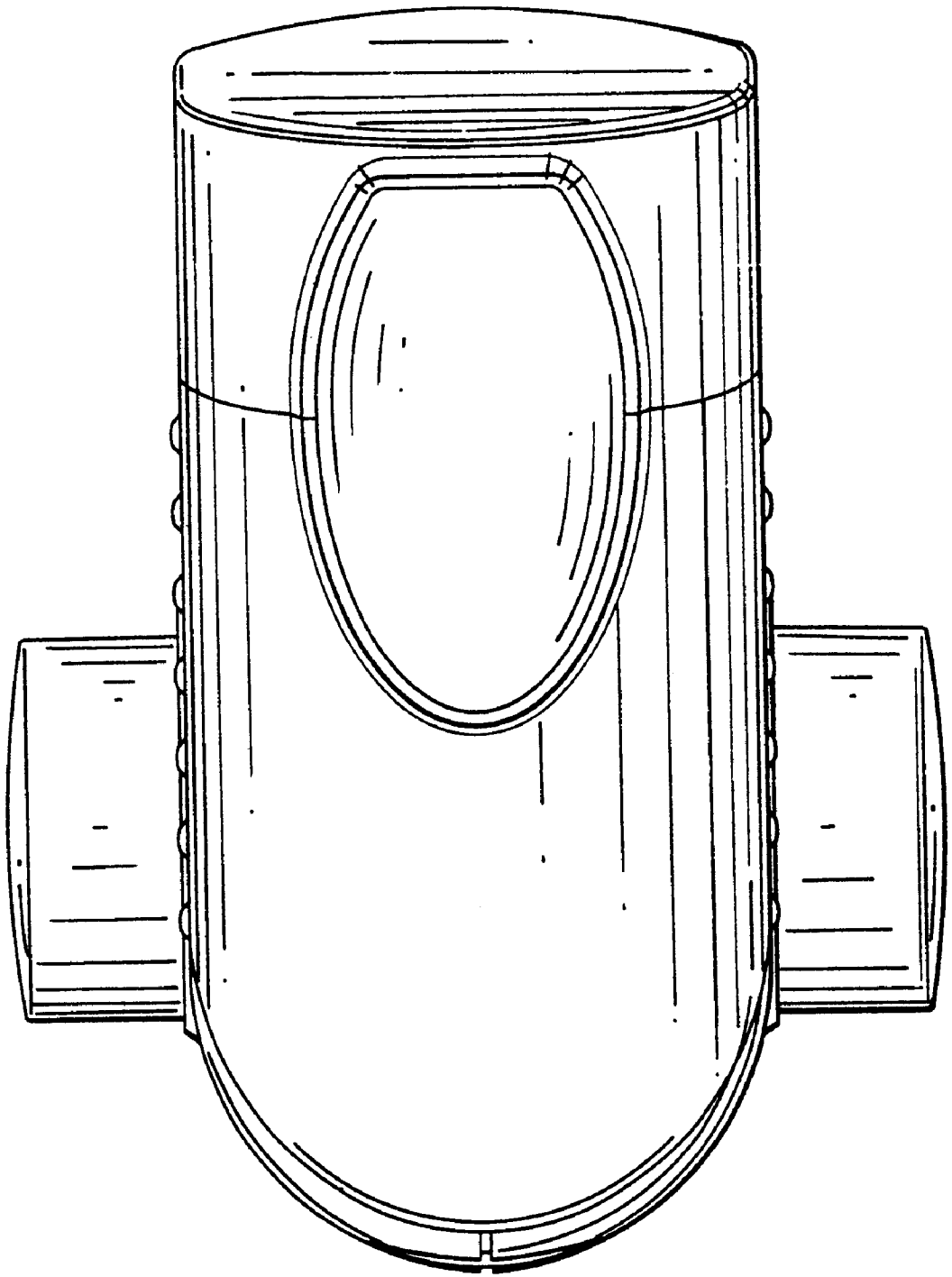
*Fig. 1*



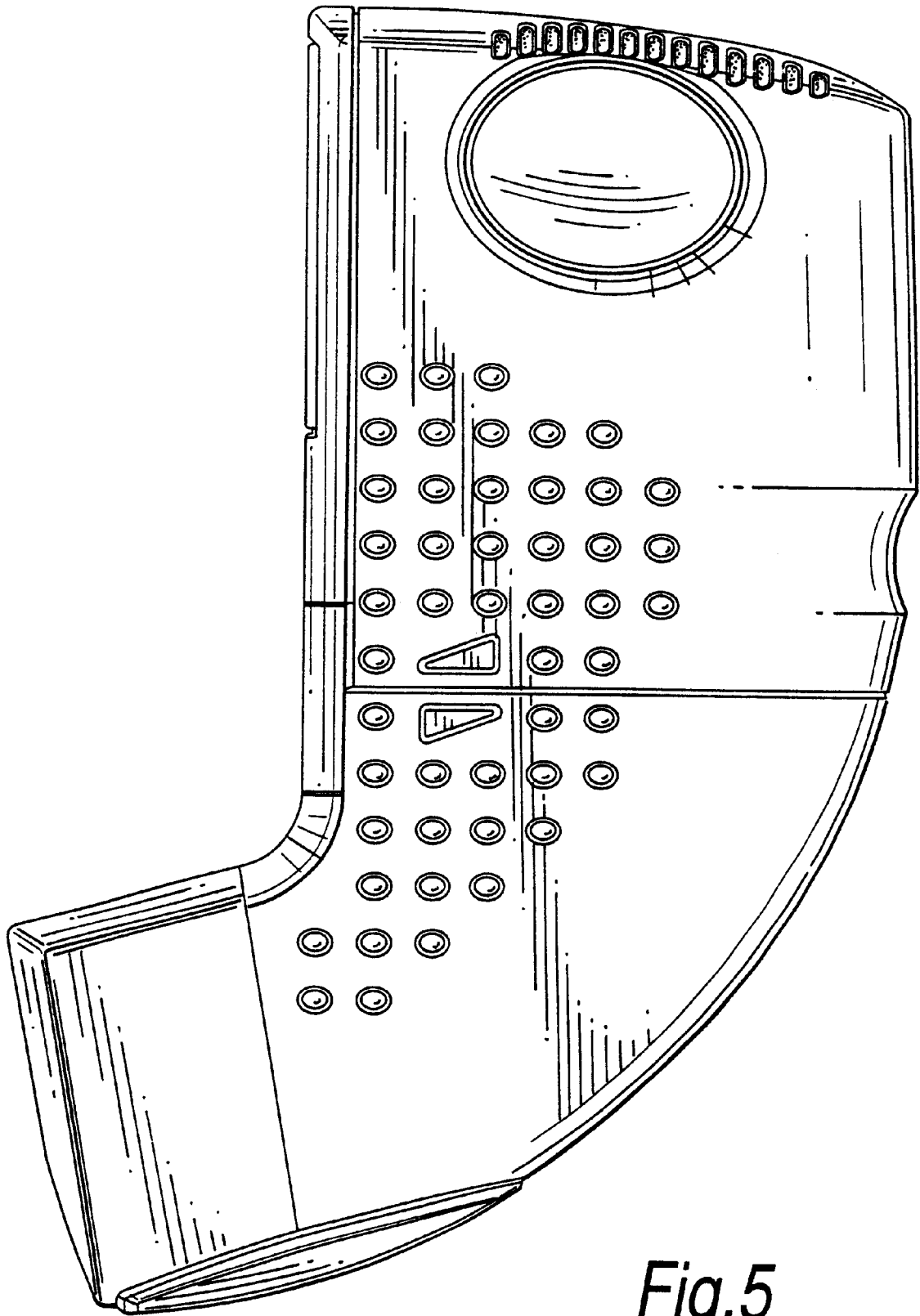
*Fig.2*



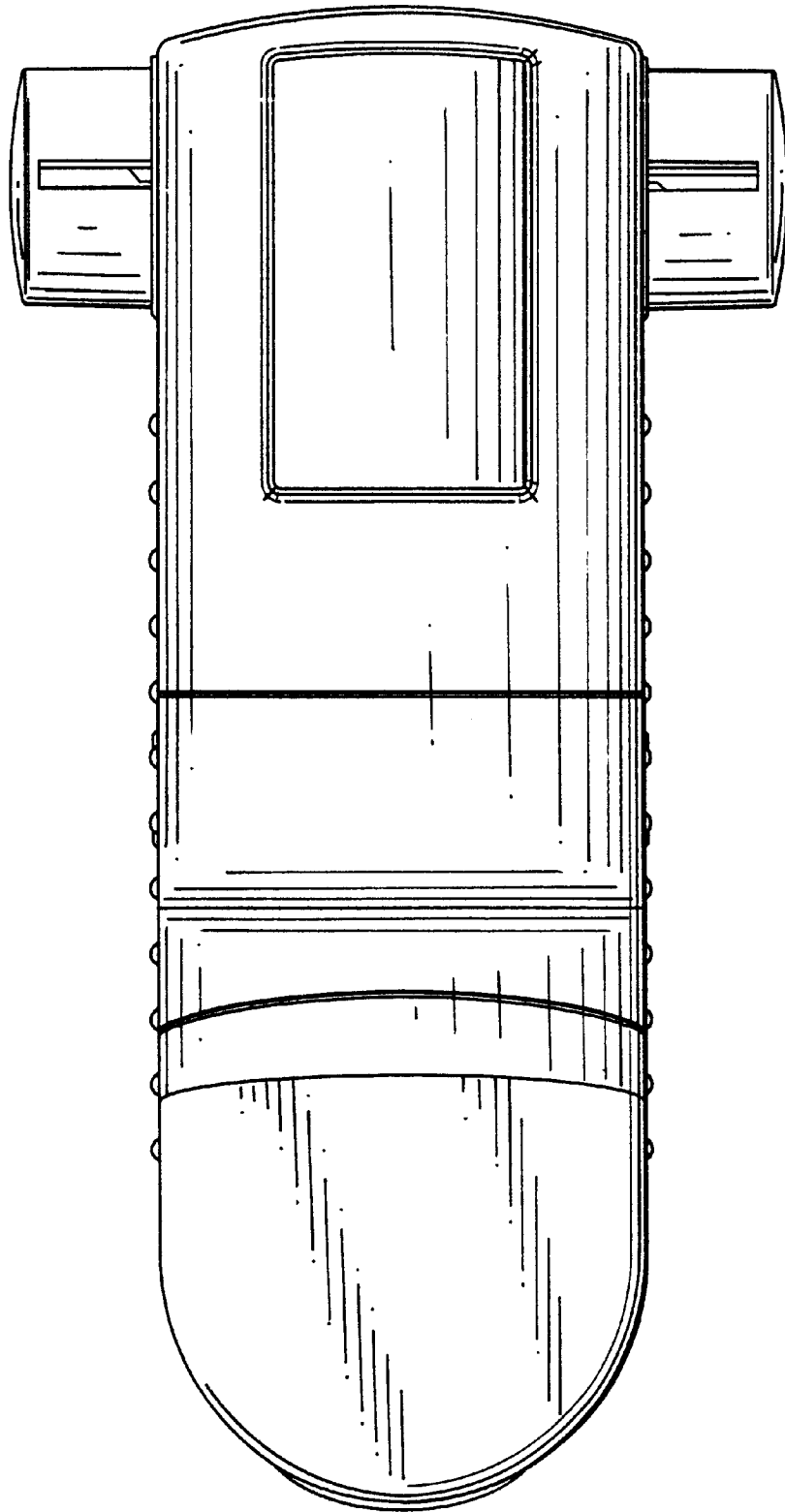
*Fig.3*



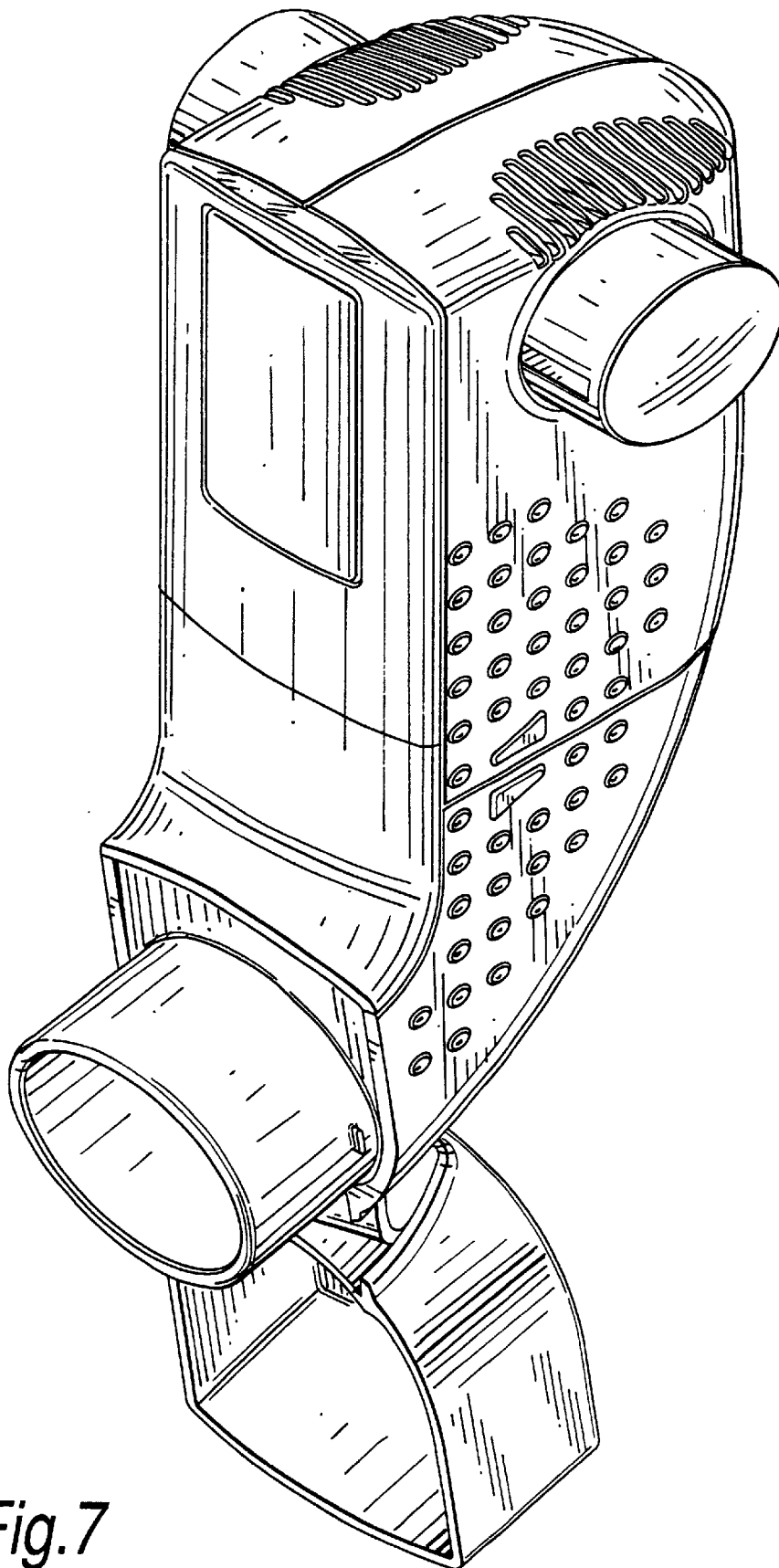
*Fig.4*



*Fig.5*

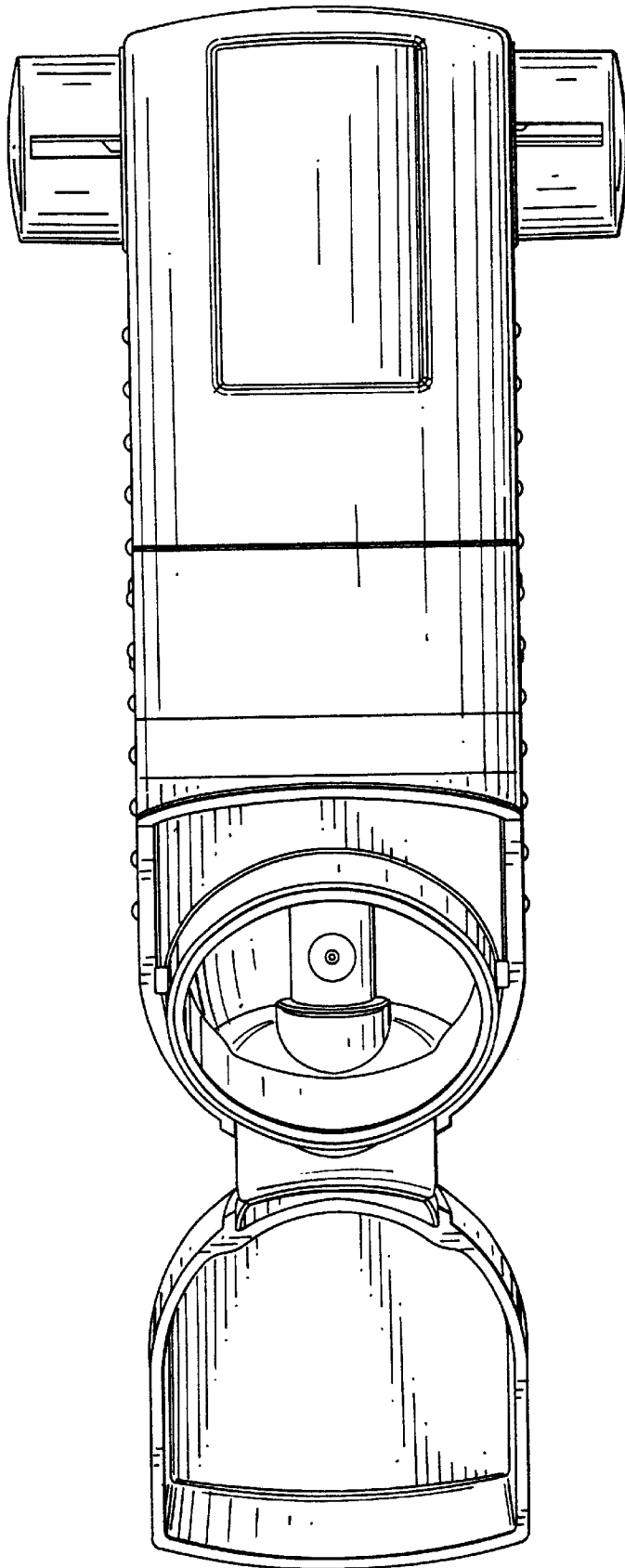


*Fig.6*



*Fig.7*





*Fig.8*

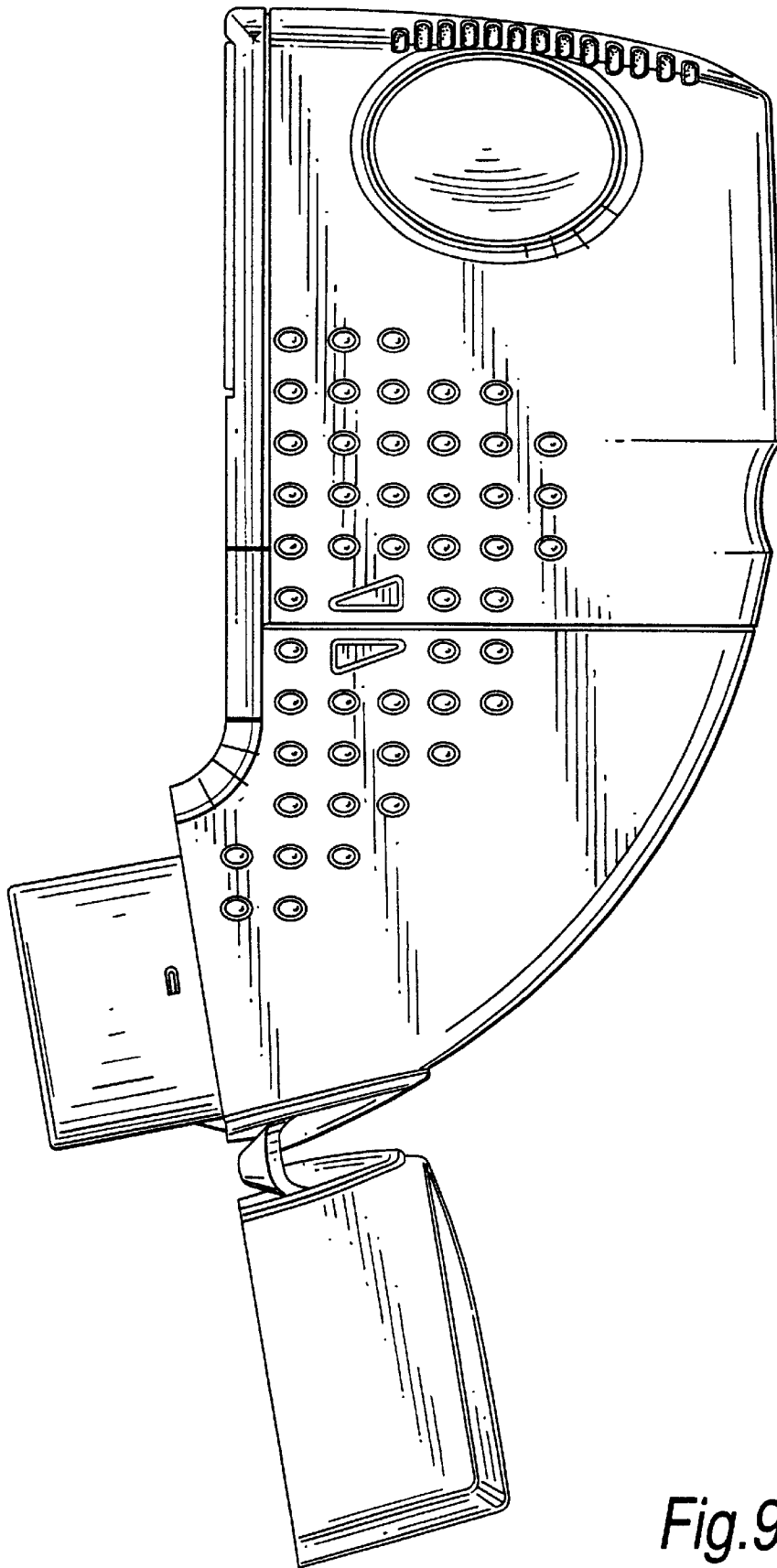
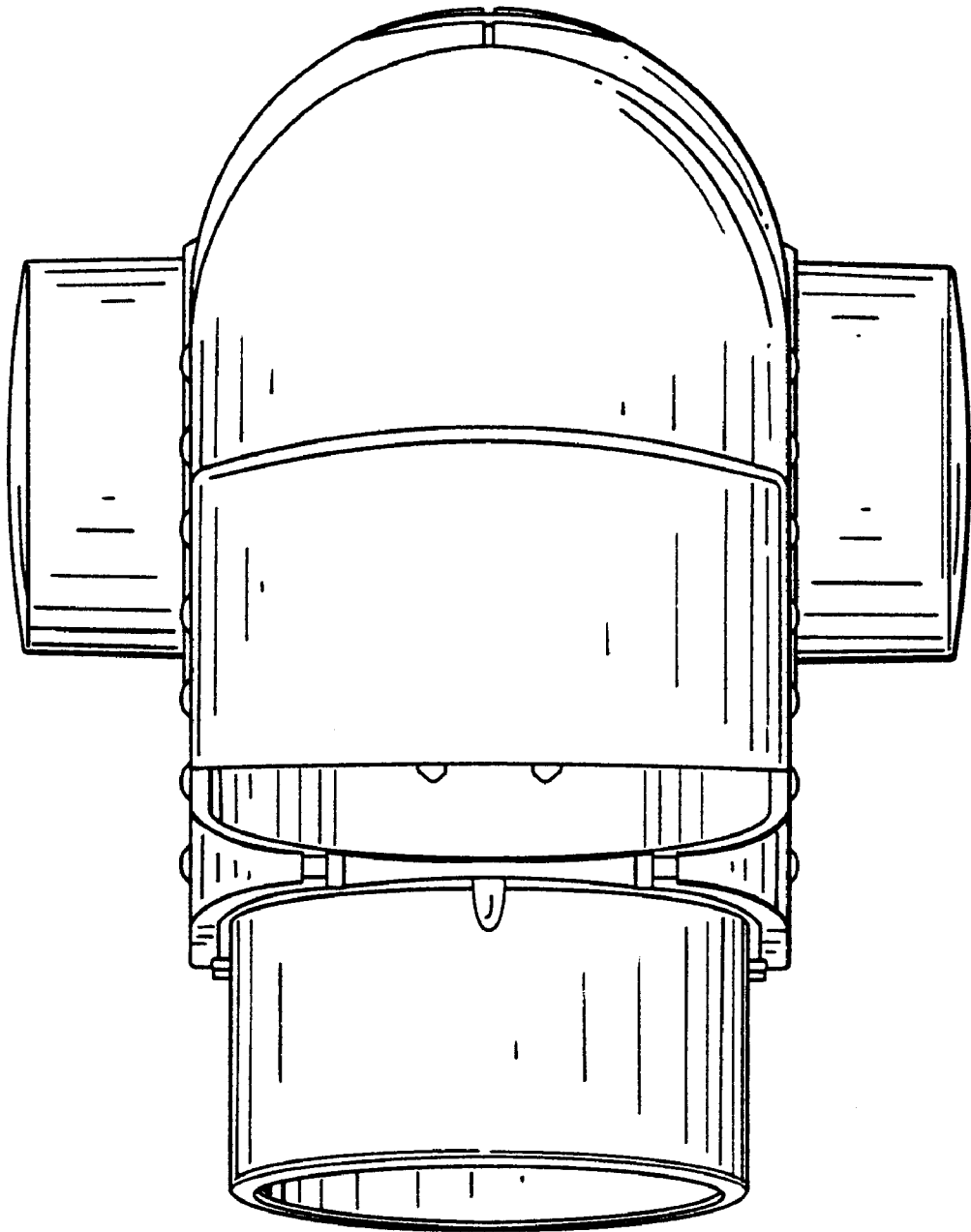
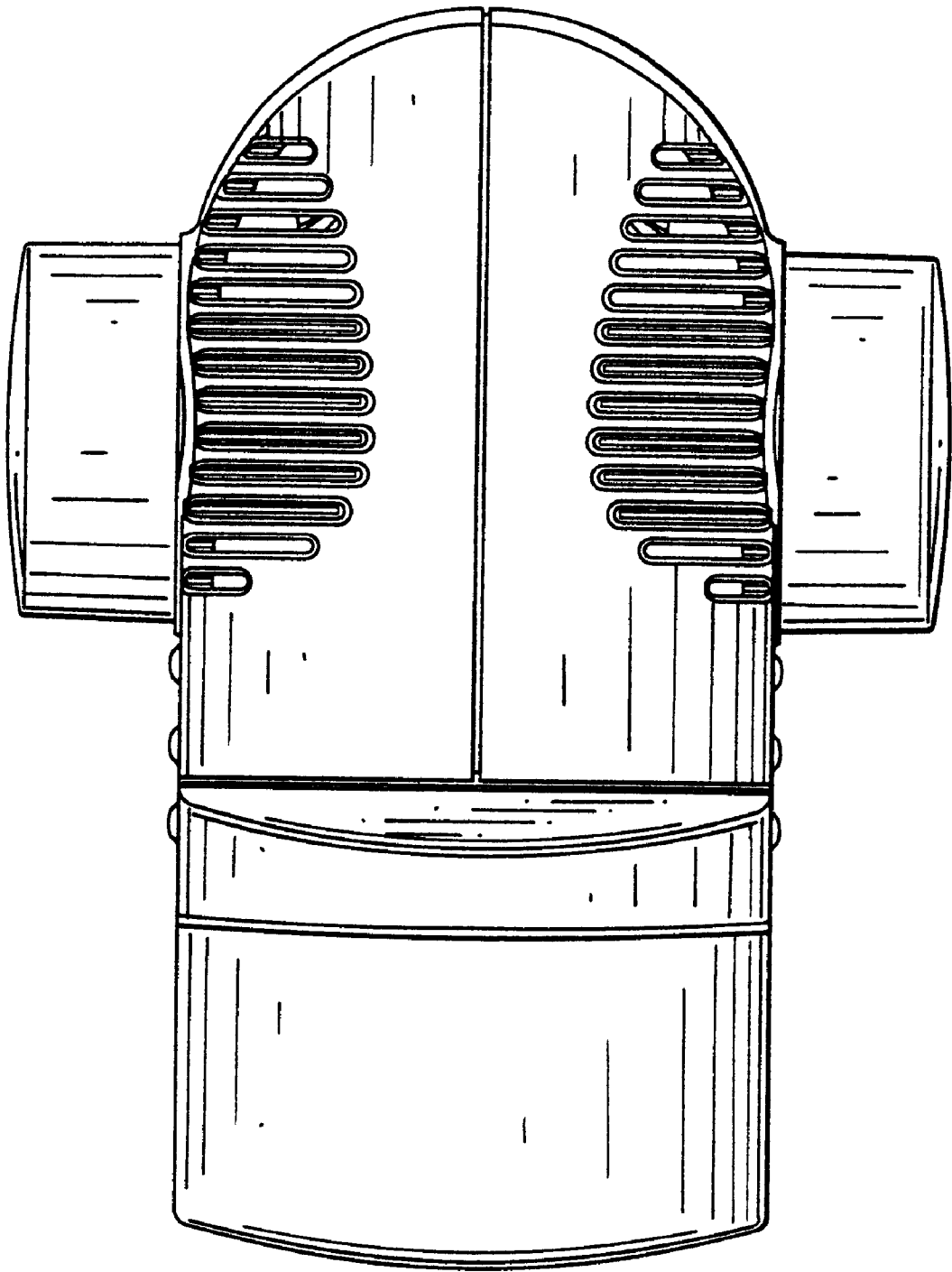


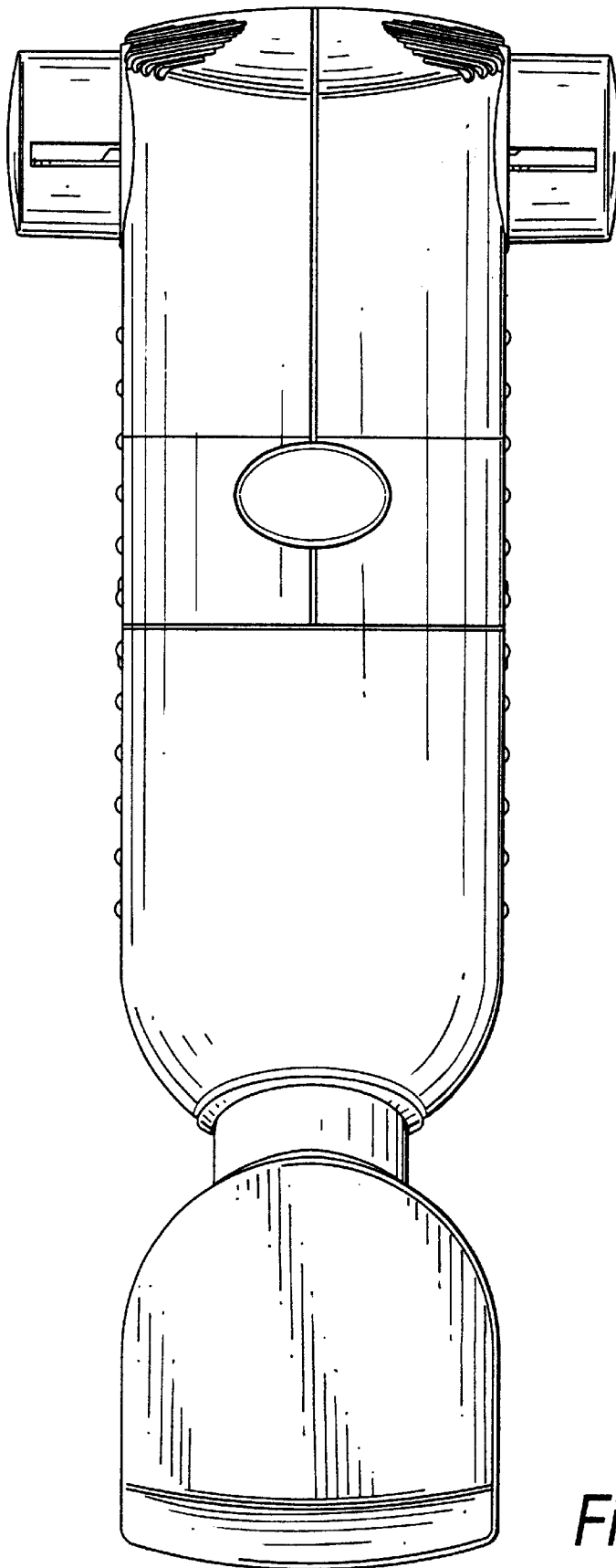
Fig.9



*Fig. 10*



*Fig. 11*



*Fig. 12*