



US00D669334S

(12) **United States Design Patent**
Tien

(10) **Patent No.:** **US D669,334 S**

(45) **Date of Patent:** **** Oct. 23, 2012**

- (54) **PASSAGEWAY DOOR LOCK**
 - (75) Inventor: **Hung-Jen Tien**, Tainan (TW)
 - (73) Assignee: **I-Tek Metal Mfg. Co., Ltd.**, Tainan (TW)
 - (**) Term: **14 Years**
 - (21) Appl. No.: **29/401,843**
 - (22) Filed: **Sep. 16, 2011**
 - (51) **LOC (9) Cl.** **08-07**
 - (52) **U.S. Cl.** **D8/330**
 - (58) **Field of Classification Search** D8/300,
D8/302, 315, 316, 319, 320, 321, 404, 330,
D8/331, 338, 341, 349; 70/92, 450, 451,
70/466, 57, 57.1, 141, 164, 165; 292/21,
292/92, 93, 166, 168, 169, 227; 16/110.1,
16/412, DIG. 5
- See application file for complete search history.

- D604,585 S * 11/2009 Veltz et al. D8/302
- D623,499 S 9/2010 Tien D8/346
- 7,832,778 B2 * 11/2010 Whitaker et al. 292/92

OTHER PUBLICATIONS

Trademark Registration No. 3,753,843 Registered Mar. 2, 2010.
 Trademark Registration No. 3,795,460 Registered Jun. 1, 2010.
 Von Duprin Parts Manual 98/99 Series Rim Exit Devices (F).
 Stanley Exit Devices Apex 2000 Series (G).
 Von Duprin XP 98/99 Rim Exit Device (D-1).
 Von Duprin 98/99 Series Exit Devices (D-3).
 Von Duprin 98/99 Series Exit Devices (D-2.1).
 Von Duprin print advertisements in magazines, including American School and University, Buildings, Architectural Product, Construction Specifier and Doors & Hardware (C).

* cited by examiner

Primary Examiner — Prabhakar Deshmukh
 (74) *Attorney, Agent, or Firm* — Alan Kamrath; Kamrath IP Lawfirm, PA

(56) **References Cited**

U.S. PATENT DOCUMENTS

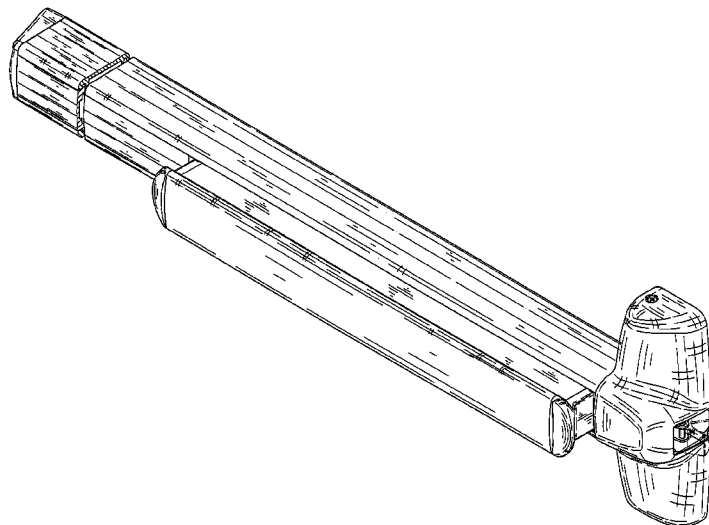
- 3,614,145 A * 10/1971 Zawadzki 292/92
- 3,663,047 A * 5/1972 Zawadzki 292/92
- 4,167,280 A * 9/1979 Godec et al. 292/92
- 4,427,223 A 1/1984 Godec et al. 292/92
- D297,806 S * 9/1988 Mohn D8/302
- 4,961,330 A * 10/1990 Evans 70/21
- D318,410 S * 7/1991 Mohn D8/302
- 5,067,757 A 11/1991 Cohrs et al. 292/336.3
- D331,182 S * 11/1992 Hsien D8/302
- 5,412,961 A 5/1995 Cain et al. 70/92
- 5,927,765 A 7/1999 Austin et al. 292/92
- 6,205,825 B1 * 3/2001 Haeck et al. 70/92
- 7,204,050 B2 * 4/2007 Molokotos et al. 40/570
- D541,633 S 5/2007 Austin et al. D8/346
- D578,860 S * 10/2008 James et al. D8/302
- 7,469,942 B2 * 12/2008 Whitaker et al. 292/92

(57) **CLAIM**
 The ornamental design for a passageway door lock, as shown and described.

DESCRIPTION

FIG. 1 is a perspective view of a passageway door lock showing my design;
 FIG. 2 is a front elevational view thereof;
 FIG. 3 is a rear elevational view thereof, with the broken lines being for illustrative purposes only and forming no part of the claimed design;
 FIG. 4 is a left elevational view thereof;
 FIG. 5 is a right elevational view thereof;
 FIG. 6 is a top plan view thereof; and,
 FIG. 7 is a bottom plan view thereof.

1 Claim, 7 Drawing Sheets



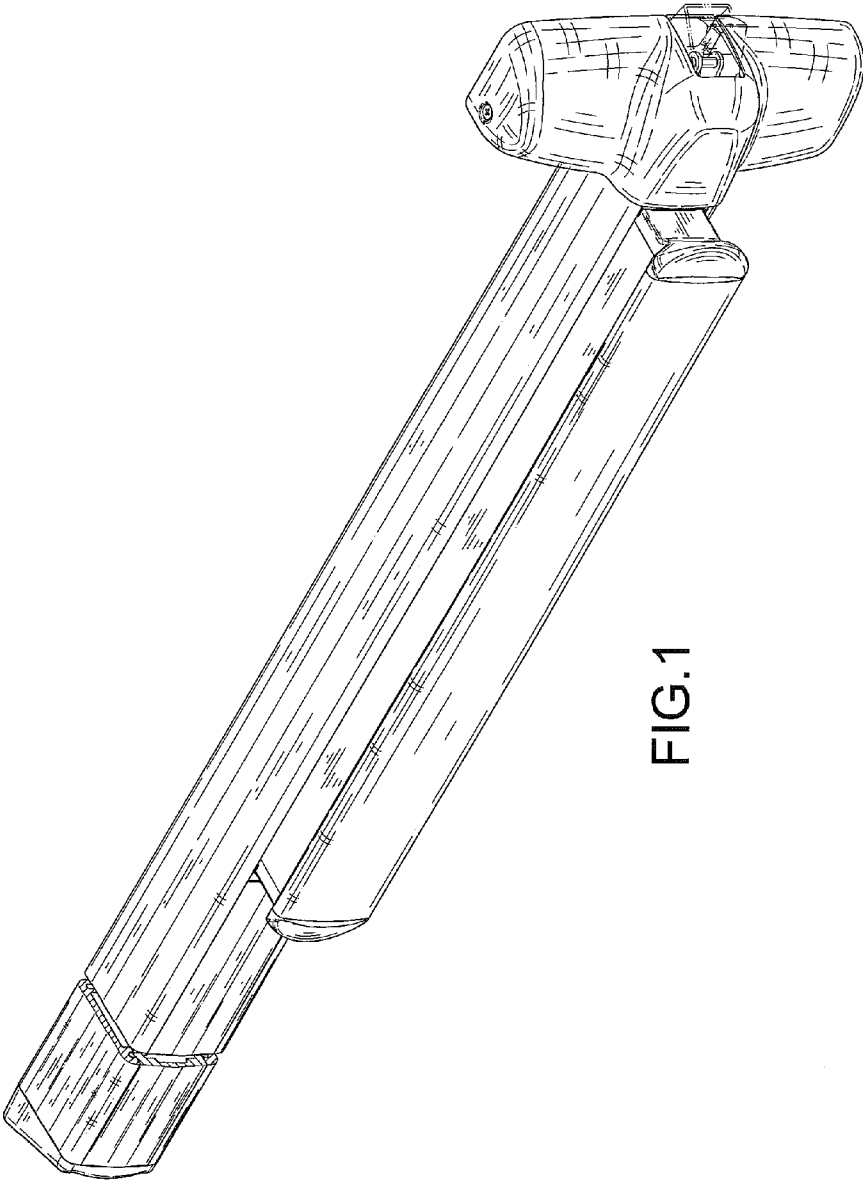


FIG.1

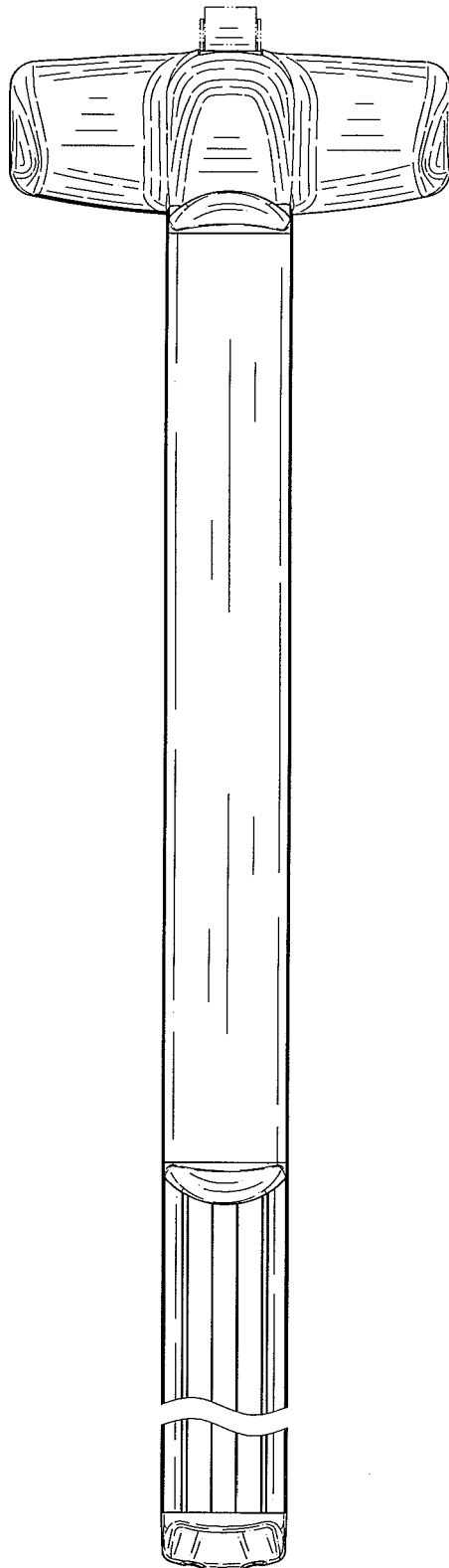


FIG.2

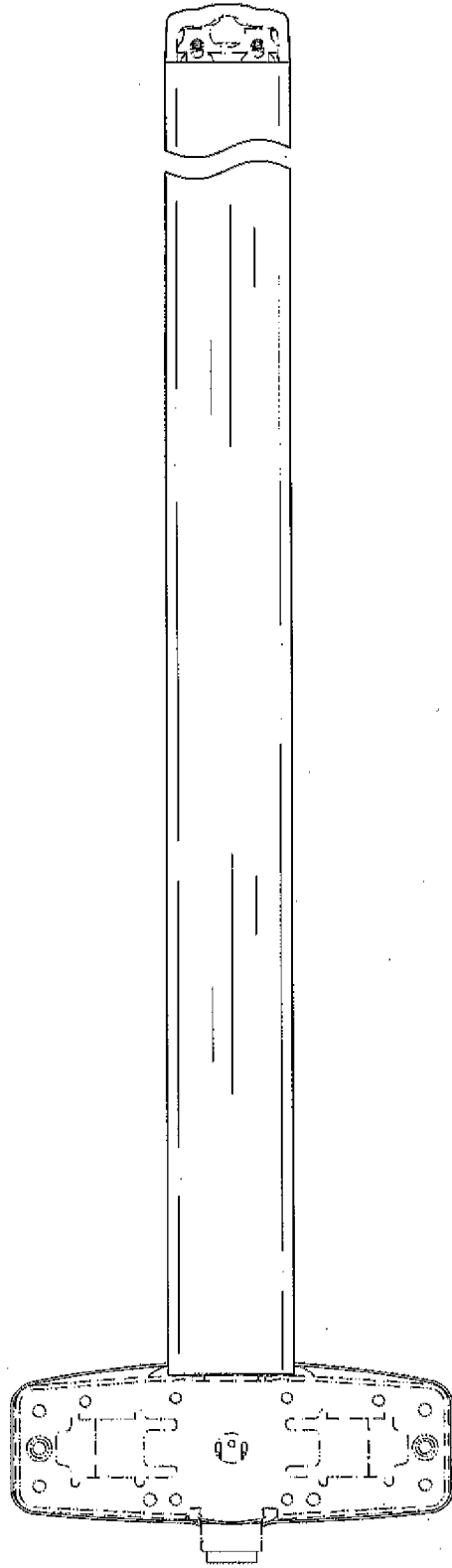


FIG.3

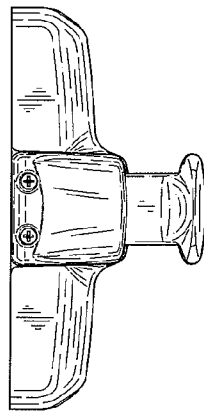


FIG.4

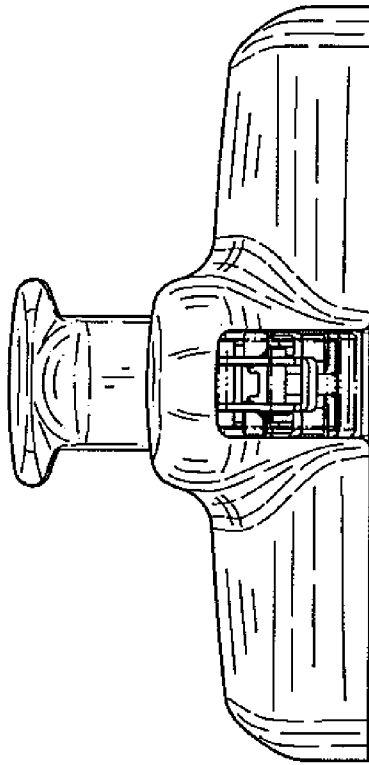


FIG.5

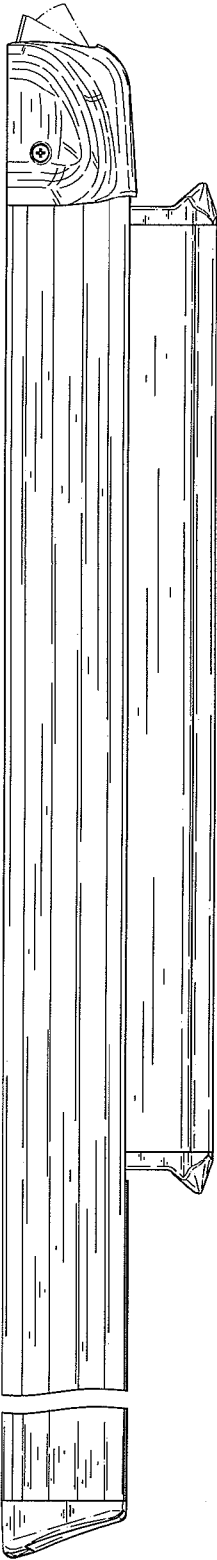


FIG.6

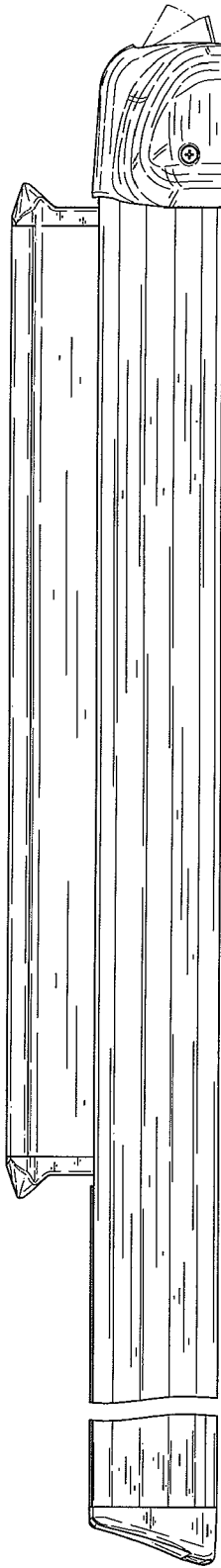


FIG. 7