

(19) World Intellectual Property Organization
International Bureau



(43) International Publication Date
17 November 2011 (17.11.2011)

PCT

(10) International Publication Number
WO 2011/143019 A1

(51) International Patent Classification:
A63H 33/06 (2006.01) *A63H 33/10* (2006.01)

(21) International Application Number:
PCT/US2011/035107

(22) International Filing Date:
4 May 2011 (04.05.2011)

(25) Filing Language: English

(26) Publication Language: English

(30) Priority Data:
61/334,230 13 May 2010 (13.05.2010) US

(71) Applicant (for all designated States except US): **CREATIVE TOYS LLC** [US/US]; 5 Forsythia Cr., Nashua, New Hampshire 03062 (US).

(72) Inventors; and

(75) Inventors/Applicants (for US only): **KLAUBER, Robert D.** [US/US]; Condo 38B, 1100 University Manor Dr., Fairfield, Iowa 52556 (US). **ROTH, Richard F.** [US/US]; 4 Lorden Lane, Brookline, New Hampshire 03033 (US). **KLAUBER, Brian D.** [US/US]; 5 Forsythia Dr., Nashua, Iowa 03062 (US). **KLAUBER, Susan** [US/US]; Condo 38B, 1100 University Manor Dr., Fairfield, Iowa 52556 (US). **GEORGE, Joseph** [US/US]; 9 Gilmore Lane, Amherst, Iowa 03031 (US).

(74) Common Representative: **KLAUBER, Robert D.**; 1100 University Manor Dr., Condo 38B, Fairfield, Iowa 52556 (US).

(81) Designated States (unless otherwise indicated, for every kind of national protection available): AE, AG, AL, AM, AO, AT, AU, AZ, BA, BB, BG, BH, BR, BW, BY, BZ, CA, CH, CL, CN, CO, CR, CU, CZ, DE, DK, DM, DO, DZ, EC, EE, EG, ES, FI, GB, GD, GE, GH, GM, GT, HN, HR, HU, ID, IL, IN, IS, JP, KE, KG, KM, KN, KP, KR, KZ, LA, LC, LK, LR, LS, LT, LU, LY, MA, MD, ME, MG, MK, MN, MW, MX, MY, MZ, NA, NG, NI, NO, NZ, OM, PE, PG, PH, PL, PT, RO, RS, RU, SC, SD, SE, SG, SK, SL, SM, ST, SV, SY, TH, TJ, TM, TN, TR, TT, TZ, UA, UG, US, UZ, VC, VN, ZA, ZM, ZW.

(84) Designated States (unless otherwise indicated, for every kind of regional protection available): ARIPO (BW, GH, GM, KE, LR, LS, MW, MZ, NA, SD, SL, SZ, TZ, UG, ZM, ZW), Eurasian (AM, AZ, BY, KG, KZ, MD, RU, TJ, TM), European (AL, AT, BE, BG, CH, CY, CZ, DE, DK, EE, ES, FI, FR, GB, GR, HR, HU, IE, IS, IT, LT, LU, LV, MC, MK, MT, NL, NO, PL, PT, RO, RS, SE, SI, SK, SM, TR), OAPI (BF, BJ, CF, CG, CI, CM, GA, GN, GQ, GW, ML, MR, NE, SN, TD, TG).

Declarations under Rule 4.17:

— of inventorship (Rule 4.17(iv))

Published:

— with international search report (Art. 21(3))

— before the expiration of the time limit for amending the claims and to be republished in the event of receipt of amendments (Rule 48.2(h))

(54) Title: VERSATILE ROBUST CONSTRUCTION TOY

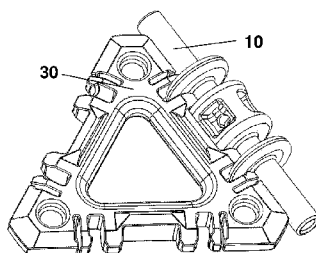


Figure 3

(57) Abstract: A cost effective, structural building set, suitable as a toy, uses post connectors (10) comprised of a post (12) with attached disks (14), or similar devices that insert into cutouts (31) in geometric shaped component parts (30, 80, 180). More than one component part can be connected to the same post connector, and such component parts can rotate relative to the post axis. The connector design allows construction of stable structures of many sizes, shapes, and types, and readily facilitates hinging between different sections of such assembled structures.



WO 2011/143019 A1

VERSATILE ROBUST CONSTRUCTION TOY

CROSS-REFERENCE TO RELATED APPLICATIONS

(0001) This application claims the benefit of U.S. provisional patent application 61/334,230, filed 13 May 2010, by the present inventors.

REFERENCE TO SEQUENCE LISTING, A TABLE, OR A COMPUTER PROGRAM LISTING COMPACT DISC APPENDIX BACKGROUND OF THE INVENTION

(0002) n/a

BACKGROUND OF THE INVENTION

Field of the Invention

(0003) This invention relates to a construction toy comprising parts that allow a wide number of 2D and 3D geometric structures to be easily constructed, and has particular application to an improved means for joining subparts into various shapes, thereby providing enhanced strength, durability, safety, versatility and usability over prior art toys. The means for joining permits the creation of unique shapes, and thus promotes the expression of more unencumbered creativity than prior art.

Description of Related Art

(0004) Many prior art construction toys are composed of parts that are held together via magnetic means, such as those by Tusacciu (US Pat 7,371,147) and Vicentelli (<http://www.geomagworld.com/>, US Pats 6,566,992, 6,969,294). These are relatively awkward and cumbersome because the magnetic parts have to be kept away from each other, they tend to clump together, and they “jump” into unintended connections with other parts. Also, the balls and the cylindrical rods typically used in such toys roll away quite easily, and each is small enough to represent a potential choking hazard for young children. Additionally, the magnets may unintentionally attract other things during building, transporting, or storage. Further, the magnetic fields generated are potentially damaging to electronic items.

(0005) Such magnetically bound structures are not overly strong or durable, and cannot support relatively minor downward force or side loading without collapse or shape deformation. This makes the formation of closed compartments or boxes problematic, because such boxes are structurally weak and thus not capable of being utilized for much other than visual appeal. Additionally, although some hinging is possible, it is impractical and cumbersome, and this inhibits construction of model doors and gates, box lids/tops, or any other type of swinging device.

(0006) Further, due to the many magnets used, the parts are often expensive and heavy. Typically, rare earth magnets are employed to increase the holding force of the structures, and these stronger magnets have an additional price premium when compared to cheaper and lighter materials such as plastic or wood.

(0007) Still further, magnetic toys have scale limitations, as larger size requires stronger magnets to support a given structure. Larger versions of such toys would then become both expensive and potentially dangerous due to the strength of the magnet required to support the

load. Additionally, the heavier weight would become excessive for children, and make the toy neither safe nor fun.

(0008) Other construction toys having mechanical connections, and not composed of magnets, include those of Hauser (German Pat 1,168,305), Heldt (US Pat 3,698,123), Knudsen (US Pat 4,214,403), Mayr (US Pat 4,253,268), Lyman (US Pats 4,606,732, 5,209,693), Svagerko (US Pat 4,792,319), Engel (US Pat 5,472,365), Tung (GB Pat Applic 2,365,795), Olsen (US Pats 5,049,104, 5,645,463), Glickman (US Pats 5,061,219, 5,137,486, 5,199,919), Volgger (US Pat 5,100,358), Swan (US Pat 5,183,430), Liu (US Pat 5,545,070), Bauer et al (US Pat 6,186,855), Hammond (US Pat 7,588,476), Greenwood et al (US Pat 5,769,681), and Polydron (<http://www.polydron.co.uk/index.htm>).

(0009) Many of the non-magnetic construction toys employ hinges of various types, allowing component parts to swing relative to one another at different angles. With these, each side of the hinge is typically built into, and part of, a component part. When the component parts are juxtaposed, the two sides interlock, but allow a swinging motion. For most of these, such as those of Lyman, Mayr, Volgger, and Svagerko, the hinge is restricted in only allowing two component parts to connect together. It is not possible in those designs to attach three or more component parts together such that they all swing (rotate) about a common hinge axis. This restricts the user from extending a given structure in new directions to create a larger structure.

(0010) Other designs, such as those of Swan and Bauer et al, allow more than two component parts to be connected and rotate about a common axis. But such parts must each be unique, in having their hinge cutouts in different places along the hinge axis. That is, there cannot be a single common design for all the pieces that are hinged together, but a separate design for each. This severely increases production complications, as the variety of different hinge connections means many different parts must be made. It also reduces flexibility and makes the toy less intuitively obvious to children, because so many different interfaces are required to function together. Children would need to orient each different, but similar looking, part appropriately before connecting the joints together. Further, more complicated structures, which have parts hinged on more than one edge, are even more difficult to construct.

(0011) Engel's invention allows more than two component parts to be connected and rotate about a common axis, but lacks strength, particularly in a direction lateral to the axis. The connection mechanism between polygonal panels and cylindrical axles is inherently weak, and structures composed of them would readily fall apart when played with in any moderately

vigorous way. Neither is there any means for rotational stabilization of the connection mechanism. Further, constructions made via his invention are not easy to assemble, but require dexterity to do so. And connecting more than one component part axially along an axle is not possible. Neither is it possible to affix wheels, balls or other objects at the ends of the connecting axle, and thus Engel's connecting axle cannot be used as a wheel axle for a model vehicle. Further, Engle does not have plates, blocks or other things attached to the components themselves. Tung's invention suffers the same deficiencies as Engel's and additionally, is unable to connect more than two components via the same connector.

(0012) Heldt's structural toy hinges the ends of two or more rods via rings or wheels, but there is no means to hinge component parts, such as panels or frames, along an edge.

(0013) Thus, at present, there appears to be no mechanically connected, strong, easy to assemble and disassemble construction toy that allows the edges of more than two identical component parts to be attached via a single hinging means with wide angle rotation of all parts on all edges.

OBJECTS AND ADVANTAGES OF THE INVENTION

(0014) Accordingly, several objects and advantages of the present invention are to provide superior stability, strength, and ease of assembly of 2D and 3D structures, typically in construction toys, over those of prior art. Other objects and advantages comprise greater flexibility in types of structures, wider range of allowable motion for mechanically connected structures, and superior opportunity for expression of creativity. A further object and advantage of the invention is a means to hinge component parts conveniently, flexibly, and easily into a wide range of stable structural configurations.

(0015) The present invention has scaling advantages, as well. It does not become impractical or cost prohibitive at large or small sizes, and has no reasonable dimensional limit. The parts of the invention can be made large enough to build life-size tables, chairs, carts, wagons, toy chests, storage bins, desks, children's forts, model houses/rooms for children, sleds, toboggans, benches, loveseats, and more, all of which would be structurally stable, durable, and easy to assemble.

(0016) These and other aspects of the invention discussed below provide significant benefits and advantages over prior art. Further objects and advantages of the invention will become apparent from a consideration of the ensuing description of it.

BRIEF SUMMARY OF THE INVENTION

(0017) The present invention provides significant advantages over prior art structural building systems by utilizing a unique means for connecting component parts. Said means comprises a connector (called a "post connector" herein), which, in the preferred embodiment, comprises a relatively elongated cylindrical shape, typically that of a rod, and one or more disks attached to, and effectively sharing a common axis with, the rod. The structural component parts are connected via the post connector and have one or more cutout(s), typically but not necessarily along an edge, into which the disk(s) may be inserted. With the disk(s) of a single post connector so inserted into one component part, the post connector and the component part thus joined may rotate relative to one another up to 360°. With the disk(s) of a single post connector inserted into two or more component parts, said parts are thus joined, and may, if desired, be swung about the post connector in hinge fashion virtually to any degree. Typically, the post connector is snapped into the component parts and results in a very stable composite structure, with a wide range of possible motions and arrangements.

(0018) In other embodiments, shapes other than rods and/or disks may be employed to compose the post connector. The rod, or other shape serving the same or similar purpose, may extend axially and such extension may contain one or more additional disks, or other shape(s) serving the same or similar purpose, such that more than one component part can be connected axially (in addition to multiple parts connected around the angular direction.)

(0019) The component parts can be any possible geometric shape, including, but not limited to, triangles, squares, rectangles, trapezoids, other polygons, pie shapes, circles, or parts thereof, tetrahedrons, boxes, other rectangular solids, prisms, spheres, ovoids, other 3D solids, and parts or sections of any of the foregoing. Said parts may have indented regions in, or near, the center portion or not. They may, or may not, have hollow openings in, or near, said center portion. With such indented (or hollowed open) regions, separate panels (or faceplates or facemounts) may be optionally inserted into the indented (or open) region(s) to provide added strength and diversity in the possible structures that can be built, enhance artistic appeal, and/or cultivate creativity in the builder.

(0020) The post connectors may have hollowed out sections, axially, radially, or in any direction. Such hollowed out sections can have string, wire, inserts, or similar devices strung through, or situated inside, them to provide additional strength, visual enhancement, or other advantage.

(0021) The invention, in its various embodiments, provides numerous advantages over

prior art in a superior and wholly satisfactory manner.

BRIEF DESCRIPTION OF THE DRAWINGS

(0022) Figure 1 depicts the post connector of the present invention in the preferred embodiment.

(0023) Figure 2 illustrates a triangle shaped component part of the preferred embodiment.

(0024) Figure 3 shows the preferred embodiment post connector and a triangle component attached together.

(0025) Figure 4 depicts a post connector attached together with two triangle components.

(0026) Figure 5 shows a tetrahedron composed of four triangle component parts and six post connectors.

(0027) Figure 6 shows a single post connector with more than two (six triangular parts in this case) component parts attached.

(0028) Figure 7 shows a faceplate for a triangular component part with an optional hole.

(0029) Figure 8 shows a faceplate inserted into a triangular component part.

(0030) Figure 9 illustrates a single sphere mounted on the end of a post connector.

(0031) Figure 10 depicts a post connector with spheres on each end.

(0032) Figure 11 displays a square component part with a single post connector attached.

(0033) Figure 12 illustrates a square component part with a faceplate and optional hole.

(0034) Figure 13 shows a cubic rectangular solid made from square component parts and post connectors.

(0035) Figures 14 a and b show another embodiment wherein component parts may be nested inside one another.

(0036) Figure 15 displays a constructed assembly comprised of different types of component parts (triangle(s) and square(s) in this case).

(0037) Figure 16 illustrates an extended dual post connector capable of connecting two component parts along the axial direction.

(0038) Figure 17 shows one use, that of flying a flag from a structure, for the dual post connector.

(0039) Figure 18 depicts a chair constructed of component parts and using dual post

connectors to support the back support portion of the chair.

(0040) Figure 19 shows a model vehicle constructed of component parts and post connectors with wheels attached to two of the lower post connectors.

(0041) Figure 20 depicts details of one configuration for a component part faceplate

(0042) Figure 21 shows a post connector inserted into a hole in another post connector with component parts connected to both of these post connectors.

(0043) Figure 22 illustrates a post connector connected to a component part wherein the post connector axis is effectively perpendicular to the component part edge.

(0044) Figure 23 shows one way, via a spring, to connect two post connectors end-to-end.

(0045) Figure 24 depicts a component part that prevents two component parts from moving angularly relative to one another.

(0046) Figure 25 shows a component limiting the angular motion of two triangle component parts.

(0047) Figure 26 demonstrates connection of different types of component parts (triangles and squares in the figure) via a single post connector.

(0048) Figure 27 displays cord passed through hollow post connectors and linking the connectors.

(0049) Figure 28 shows a bra/woman's top constructed of cord, post connectors, and component parts (triangles in the figure.)

(0050) Figure 29 depicts a tie constructed from cord, post connectors, and component parts (triangles and squares in the figure.)

(0051) Figure 30 shows a six sided component (equilateral hexagon in the figure.)

(0052) Figure 31 illustrates a post connector with disks and without a connector guide.

(0053) Figure 32 displays a post connector with a cylindrical post connector connecting element instead of a thin disk.

(0054) Figure 33 depicts the post connector of the prior figure connected to a square component part.

(0055) Figure 34 shows a cross post connector with two posts perpendicular, and fixed, to one another.

(0056) Figure 35 shows a multiple post connector structure with single post connector parts attached at their ends and extending radially away from their center of attachment.

(0057) Figure 36 displays disks and connector guides incorporated into the edges of a component part which are inserted into cutout(s) on another component part.

(0058) Figure 37 illustrates disks and connector guides incorporated into the edges of a component part which is inserted into cutout(s) on a cutout (or female) post connector.

(0059) Figure 38 depicts an alternative latching means for post connectors and component parts.

(0060) Figure 39 shows a model boat that floats.

(0061) Figure 40 illustrates another embodiment wherein the post connector is not rod shaped and shapes other than 360 degree disks or cylindrical connector guide insert into component parts.

(0062) Figure 41 displays another embodiment of the invention wherein protrusions, instead of cutouts, are used for connections.

(0063) Figure 42 shows a post connector for which the post and the component part connecting element are one and the same.

(0064) Figure 43 depicts a faceplate (or facemount) mounted on a component part where the faceplate/mount extends well beyond the plane of the component part surface.

DETAILED DESCRIPTION OF THE INVENTION

(0065) Fig. 1 shows a post connector **10** for the preferred embodiment of the invention. Fig. 2 illustrates one type of component part, the triangle component **30**. Fig. 3 depicts a post connector **10** and a triangle component part **30** connected together. Fig. 4 shows two such triangle components **30** connected to a single post connector **10**. Fig. 5 shows a tetrahedron assembly **60**, a typical end result of assembling several (four in this case) triangle component parts **30** using (six in this case) post connectors **10**.

(0066) The post connector **10** in the preferred embodiment of Fig. 1 comprises a post **12** of essentially rod-like shape with one or more disks **14** attached to, or integral with, the post **12**, wherein the axes of the post **12** and the disk(s) **14** are essentially co-axial. In the preferred, and some other embodiments, the post connector may also comprise a cylindrical, or quasi-cylindrical, section, deemed herein, the connector guide **16**. The axis of connector guide **16** can be essentially co-axial with the axis of the post **12**. The term quasi-cylindrical, as used herein,

refers to a shape, such as that shown for the connector guide **16** in Fig. 1, which has a non-purely cylindrical surface on what would otherwise be a cylinder. For example, a quasi-cylindrical shape can be considered to be what was originally a cylinder but which has had its surface indented, protruded, curved, and/or perforated.

(0067) In Fig. 1, the connector guide **16** is quasi-cylindrical, having a concave, indented surface, and said surface has perforations, including radially directed holes going completely through from one side to the other. Such holes can be filled with an overmould of rubber, plastic, metallic or other material, and said overmould can be solid or hollow. These perforations, and indentions, are not necessary for the functioning of the invention, but can add visual appeal, as well as desirable features that will be discussed herein.

(0068) The connector guide **16** is a means to guide the connection between the post connector and a component part. It can also be a means to stabilize, align, and/or strengthen the connection, though it is not necessary to the invention.

(0069) The disk(s) **14** and/or the connector guide **16** can be attached via any means to the post **12**, or alternatively, one or more of them can be an integral part, along with post **12**, of the post connector **10**, such as could be accomplished by casting, injection molding, or other processes. Although the post **12** is shown extending outside of the disks **14**, it is not necessary to the invention for it to do so. In any embodiment, post **12** only needs to support one or more disks **14** (or a means to connect the post to a component part), and that is what the invention comprises.

(0070) Component parts, such as triangle component **30** of Fig. 2, have cutouts, typically but not necessarily along their edges, into which portions of the post connector **10** can be inserted. Such cutouts comprise disk cutout(s) **31** and connector guide cutout **34**. When portions of the post connector **10**, such as disk(s) **14** and/or connector guide **16** are inserted into respective cutouts **31** and/or **34**, the post connector **10** and the component part (triangle part **30** here) become connected. See Fig. 3. These cutouts can be large enough to permit rotation of a post connector **10** angularly about its long axis, relative to a component part (**30** here). In fact, this is often desired, as it permits a hinging motion between the two parts, and as well, between sections of any further greater assemblies comprised of more post connectors and component parts. Alternatively, the cutouts can be small enough, or deliberately shaped, relative to the size of disk(s) **14** and/or connector guide **16**, to effectively resist such angular motion and provide a non-hinge type of connection. Other kinds of restrictions, well known to those skilled in the art, can be used to provide a non-hinging connection, as well, and these are comprised by the

invention.

(0071) Relief cutout(s) **32** can be used to enable easier snapping of a post connector **10** to a component part (**30** in Fig. 2), and removal of same, while also providing a hard stop to prevent over-traveling the beam and potentially crack the latch member. Such relief cutouts are employed in this embodiment, but are not a necessary element of the invention. The connector guide cutout **34** is shown in Fig. 2 as straight and parallel to the triangle edge direction, but any suitable cutout is comprised by the invention. For best hinging effect, one or more of the cutout surfaces **36, 37, 38, 39, and 40** may be arc-like, to match the typically circular edges of post **12**, disk(s) **14** and connector guide **16**. However, any suitable geometry of such surface(s) is comprised by the invention, and none of those surfaces have to contact any portion of post connector **10**.

(0072) Latch element **33**, a cantilever employed in this embodiment, forms a latch with disk **14**. One way it can do this is via the “bump” or “lip” **41**, shown in Fig. 2, which snaps over the outer part of disk **14**. Latch element **33**, in this embodiment, is also arc-like along its inner facing side in Fig. 2 to match the profile of disk **14**. This provides for more fluid hinging, though it is not necessary for the functioning of the invention. Latch element **33**, although shown as a cantilever, can also be a raised dot, or bump, or in fact, anything that serves the same purpose as latch element **33** shown herein. Further, the latching element may be on the opposite side of disk cutout **31** (i.e., on the inner surface of cutout **38**, the side closer to connector guide cutout **34**). Still further, latching elements may be on both sides of the cutout.

(0073) Element **14** comprises a geometric form that includes non-disk, as well as disk shapes, and shall be deemed herein a “cutout insertable element”. Thus, the cutout insertable element shall be considered represented by the number **14** in all figures, although in the preferred embodiment of Figs. 1 to 3, it is disk-like. When the cutout insertable element is disk-like in shape, or an arc section of a full disk, we shall refer to it as a “disk”. When such disk extends over a full 360⁰, we may sometimes refer to it as a “complete disk”, or “360⁰ disk”. The cutout insertable element may be considerably thicker than the disk **14** shown in the figures, and may even be longer in the axial direction than its own diameter (or width in direction perpendicular to the axial.) See, for example, Fig. 32 for one possible alternative configuration of a cutout insertable element.

(0074) Holes **35** in the corners of triangle component part **30** are not essential to the functioning of the invention, but may aid with embellishments in certain embodiments of the invention to be described later. (See references to Fig. 20 herein. Also, holes **35** can be the same

diameter as post **12** to enable mounting of post connectors **10**, via their ends, into said holes.)

(0075) Fig. 4 shows two triangle parts **30** connected to a single post connector **10**. For appropriate cutout to post connector portion tolerances, the two triangle parts can move angularly about the post connector, with respect to one another.

(0076) Fig. 5 shows a tetrahedron structure **60**, one example of the type of structures that can be created from post connectors **10** and triangle parts **30**. For a tetrahedron **60**, four triangle parts **30** are used. For a stable tetrahedron (one for which the four triangle parts **30** will not easily move relative to one another), one can use between four and six post connectors **10**.

(0077) Fig. 6 shows six triangular component parts **30** connected together via a single post connector **10**. Said component parts can swing (hinge) about the post connector independently, or alternatively, they may be locked in place angularly. The invention permits, and comprises, any number of component parts connected via the same post connector. These need not be triangular, but can be any shape component part (see below.) Figure 26 illustrates one example of such use, with three triangles and three squares all connected via the same post connector. A huge number of different combinations of component part types and post connector(s) can thus be connected with the invention, and all of these are comprised by the invention.

(0078) Fig. 7 shows a faceplate **70** that can be inserted into a triangle component part **30** for the purpose of stiffening/strengthening the triangle component, for visual appeal, and/or for attaching post connector(s), other faceplate(s), pictures, decals, other component part(s), or any device that enhances the invention. The faceplate **70** displayed in Fig. 7 has an optional hole **72**, which may, but does not necessarily have to, be in the center of the faceplate. In other configurations, there may be more than one hole, and any hole does not have to be circular, but can be any shape. The post portion of a post connector may be inserted into such hole, and such insertion can be snug enough to permit the post connector to be a part of an assembly of post connector(s) and component part(s). Other items, such as, but not limited to, a wheel axle, flower (artificial or real), rod, lollipop, flag, LED, and toy figure may be inserted into the hole, as well, or in lieu of the post connector.

(0079) Faceplates can also have cutouts or raised areas for the letters of the alphabet, numbers, words, etc., allowing children to study and/or snap together their ABC's, name, party invitation, age, etc. Any faceplate embellishments, such as those described herein or otherwise, can extend beyond the plane, and/or also beyond the edge(s), of any component part. Further, they can be quite thick and/or have hollow regions that may be filled with any number of items, such as, but not limited to, live fish, candy, glitter, lava lamp goo, etc. They can comprise, or

allow attachment of, 3D items of many kinds. That is, faceplates can extend upward in the vertical direction of Fig. 7 to any reasonable height, and can extend sideways (sideways as seen in Fig. 7) to any reasonable extent. (See Fig. 43.) They can have knobs, plugs, or other means, threaded or otherwise, to attach any number of different items to them.

(0080) Both of the words “faceplate” and “facemount” may refer herein to devices that are either significantly extended in the vertical direction (away from a component face) or thin in the vertical direction (i.e., platelike.)

(0081) Fig. 8 depicts the faceplate **70** inserted into the triangle component **30**. Although the discussion of Figs 7 and 8 focused on holding the faceplate by its sides onto the component part, the component part can attach to some other region of the component part. For example, the component part may be solid in the middle with a knob or other protrusion onto which a hole in the faceplate fits. Alternatively, the faceplate may have a knob or other protrusion which fits into a hole in the component part. Any means to hold a faceplate snugly in the triangle, or any other shape, component part, including simple snaps well known to those skilled in the art, is comprised by the invention.

(0082) The invention comprises decals, paintings, laser markings, pictures, flags, mirrors, tattoos, hand written sheets, and similar items attached to the faceplates, though these are not necessary. The invention comprises any of the items discussed anywhere herein as being attachable to a faceplate, as being also attachable to a component part and/or a post connector.

(0083) Fig. 9 shows a post connector **10** with a single sphere **20** attached to one end. Fig. 10 shows a post connector with two such spheres, one on either end. Such spheres **20** may be rubber, plastic, wood, metal, or any suitable material. They may attach to the post connector **10** via any means, many of which are well known to those skilled in the art. Alternatively, the spheres **20** could be manufactured as an integral part of the post connector **20** when the post connector is made, via casting, injection molding, or similar process.

(0084) Alternatively, any suitable object or device may be attached to, or inserted into, the end of a post connector **10**. These include, but are not limited to, hooks, screw eyes, suction cups, threaded rods, magnets, whistles, springs, hinges, toys, toy figures, lollipops, wheel axles, flowers (artificial or real), flashlights, LEDs, and bubble wands.

(0085) Fig. 11 depicts a square component part **80** connected to a post connector **10**. Square component **80** has cutouts like those shown for triangle component **30**, to facilitate connection with post connector(s) **10**.

(0086) The invention comprises square component **80** as well as all possible geometric shapes configured, as parts **30** and **80** are, to connect with a post connector **10**. These other possible component part shapes include, but are not limited to, rectangles, parallelograms, pentagons, hexagons, all other polygons, circles, ovals, all other effectively 2D (thin in one dimension) shapes, rectangular solids, tetrahedrons, spheres, ovoids, all other 3D solids, and portions/sections of any of the foregoing.

(0087) With these various types of component parts, a user of the invention can create innumerable different types and sizes of structures. One can connect components of different types together. For example, the triangle component part **30** can be connected along an edge to a square component part **80** via the same post connector **10** as in Fig. 26. Boxes, homelike structures, pyramids, geometric forms of many diverse kinds, animal and bird models, dinosaurs (such as pterodactyls), and more are possible. The nature of the connections made between the post connectors **10** and component parts will provide significant stability and durability to these structural creations.

(0088) Given the swinging (i.e., hinge) capability of the connection between post connector **10** and component part, any component part in any structure can be configured to swing open or closed. This can provide a door, which can be opened and closed, for house-like structures, hinged lids for boxes/chests, model window shutters, book binders, and much more.

(0089) Fig. 12 illustrates a square faceplate **84** inserted into a square component part **80**, similar to Fig. 8 for a triangle part **30**. The present invention comprises faceplates for all possible component part shapes, as discussed above. Such faceplates may be used in all manners described above for the triangle faceplate **70**.

(0090) Faceplates such as, but not limited to, **70** and **84** do not need to snap firmly into place and be held tightly by their associated component part (**30** and **80** in the figures). Rather, they could be attached along their outer edge to the inner edge of a component part via a post connector **10** or any other form of removable connection. This would permit hinging or removal of the faceplates with respect to their associated component parts, and thereby provide for greater creative expression by children using the invention. Such faceplates could then become doors to house-like structures, lids for boxes, etc.

(0091) Fig. 13 shows square component parts **80** connected via post connectors **10** to form a box (cube type of rectangular solid with one face hinged open in Fig. 13). This box has a swinging top (lid) that opens and closes because it swings freely about a post connector, while the other parts of the box remain stationary. Of course, any face of the box, not just the top,

may be used for swinging open and closed while the others remain fixed, and more than one face may swing open, as well.

(0092) Fig. 14a shows a particular triangle component part **90** configured with cutouts on its inside edge(s) to permit nesting of a smaller triangle part inside of it. Fig. 14b shows such a nesting, with smaller triangle **92** fitting inside larger triangle component **90**. In the embodiment of Figs. 14a and b, the two triangles are held together via one or more inner post connectors **10**, which are inserted into cutout(s) on (an) inner edge(s) of triangle **90** and (an) outer edge(s) of triangle **92**. The post connector **10** used for this purpose, in this embodiment, is smaller than its sibling post connector **10** shown on the outside left edge of triangle **90**. Due to the unique design of the post connector, the inner triangle **92** can swing, or hinge, about the inner post connector relative to the outer triangle **90**. Such hinging may be desirable, but is not a necessary feature of the embodiment, as the connection can be made non-hinging as well, via any means known to those skilled in the art or otherwise shown herein.

(0093) Although Figs. 14a and b depict an embodiment wherein the inner and outer triangles are connected via a post connector, in an alternative embodiment, the inner edge of triangle **90** is composed of disk insertable elements such as those on the post connector **10**. (Similar to the outer edges of triangle **220** in Fig. 36.) The inner triangle **92** has appropriate cutouts on its outer edge(s) into which the disk insertable element(s) on the inner edge(s) of triangle **90** are inserted. Alternatively, the inner triangle **92** can have disk insertable element(s) on its outer edge(s), and the outer triangle **90** can have cutout(s) on its inner edge(s). Other inner-outer component part connection alternatives are comprised by the invention as well, including, but not limited to, that discussed later herein with reference to Fig. 41.

(0094) Nesting of any shape component part (for example, a square) inside any other shape component part is comprised by the invention. Further, nesting of more than two component parts is comprised by the invention, as well. For example, in Fig. 14b, inner triangle **92** can have yet another triangle (or other shape) component nested inside of it. There is no limit, other than practicality, for the number of component parts that may be nested inside of one another.

(0095) Nesting connections between component parts do not have to be done with post connectors, but may be done simply between components. That is, two parts can simply snap together, or attach to one another via any means described herein or known to those skilled in the art.

(0096) Nesting of component parts can provide structural support for resisting loads and/or stabilization for assemblies such as a bridge or tower.

(0097) Faceplates could, as well, be nested inside one another via the means shown above, any number of other connection means well know to those skilled in the art, or additional means shown elsewhere herein.

(0098) An assembly constructed of different types of component parts is illustrated in Fig. 15. In the figure, triangle component parts **30** and square component parts **80** are connected together into a single assembly via the post connectors **10**. Square parts can be connected to triangle parts via the same post connector. Similarly, any possible component part shape/type can be connected to the same post connector as any other possible component part shape/type.

(0099) Any possible assembly composed of a combination of different types and numbers of component parts is comprised by the invention. The number and variety of different assemblies are enormous, due to the unique and creative character of the present invention.

(00100) Fig. 16 depicts a type of extended post connector **100**, referred to herein as a dual post connector **100**. Such a dual post connector is either i) two single post connectors **10** connected together end-to-end axially via any suitable means or ii) a single rod-like, or other shape, element with two post connector portions displaced from one another axially. That is, the dual post connector **100** is two single post connectors **10** joined together as essentially a single unit. The invention comprises other types of extended post connectors, such as a triple post connector made of three single post connectors **10**, a quadruple post connector made of four single post connectors **10**, etc. It also comprises any means for connecting more than one post connectors in any fashion, as well as having multiple single post connector components formed together as a single piece, as would be done via casting, injection molding, or similar processes.

(00101) Fig. 17 shows one use for a dual post connector **100**, i.e., to hold a flag **110**, as a post connected to a house-like, or tent-like, structure built from component parts such as **30** and other post connectors **10**. In Fig. 17, post connector **100** is inserted into hole **112** formed in the top of the assembly shown, but it can be attached via any suitable means. In a rectangular model building of a home or fort, for example, two walls could be joined by a dual post connector with the top half of such connector extending upward beyond the top of the wall of the model building. The flag **110** could then be attached to the top half of that connector.

(00102) Furniture can be made with the invention, as displayed in Fig. 18. That figure depicts a chair made of square component parts **80** and post connectors **10** and **100**. The back support of the chair can be made of one, or more, square component parts **80** held firmly by dual post connectors **100** on either side. Said dual post connectors are held firm by being connected on one end to the chair base and on the other, to the back support. Optional spheres

are shown in the middle of dual post connectors **100** in Fig. 18, but these are not necessary. Many types of furniture comprised by the invention can be constructed, such as, but not limited to, tables, beds, couches, stools, counters, waste baskets, mock kitchen sinks, mock televisions (and radios and stereos), and more.

(00103) Importantly, the lack of size limitation of the invention (large or small, it can be made strong and durable) means such assembled furniture can be doll house sized, child sized, or adult sized. Children could actually make their own tables and chairs, and use them daily in their activities.

(00104) Post connectors can also have wheels attached, permitting children to make moving vehicle structures. This is shown in Fig. 19, where the wheels **120** are attached at, or near, the ends of post connectors **10** in a car-like structure. The present invention comprises wheels **120** mounted anywhere on any post connector **10** for any purpose. Pulley systems, Ferris type wheels, and many other structures can be built.

(00105) Another use for extended, or multiple, post connectors is demonstrated in Fig. 19. The left rear support for the car of Fig. 19 can be a dual post connector **100**, as shown in the figure (though it does not have to be.) Similarly the bottom left edge (bottom front edge as viewed in Fig. 19) of the vehicle can be comprised of a single triple post connector **103** (though it doesn't have to be.) Fig. 19 shows spheres on the ends of the post connectors **10**, **100**, **103**, but these are not necessary. Similarly, it shows spheres inside the ends of the multiple post connectors **100** and **103**. Said spheres are optional and may, or may not, be used according to the builder's desire.

(00106) A detailed illustration of one embodiment of a faceplate **70** for a triangular component is depicted in Fig. 20. In that embodiment, protuberances **75** on the three corners of faceplate **70** insert into holes **35** in a triangular part **30** as shown in Fig. 2, and hold the faceplate **70** to triangle **30**. Cutouts **78** in faceplate **70** make space to accommodate connector guides **16** of post connectors along each edge of the faceplate. Optional protuberances **76** fit into relief cutouts **36** on the triangle. These can create a lockable faceplate by inhibiting deflection of latching elements (see, for example latching element **33** of Fig. 2), and thus prevent the post connector from releasing.

(00107) With the embodiment of Fig. 20, or with other embodiments, the faceplate (element **70** in Fig. 20) can be transparent. One can place pictures, stencils, hand or printer written sheets, or similar things on the surface of a faceplate or internal to the faceplate in optional slot **77**. The faceplate can then be attached to a component part via knob (also called a

protuberance or post) **74**, or any appropriate latching means commonly known to one versed in the arts, to secure the faceplate **70** to a component part. Once the faceplate **70** is secured any images or stencils placed in slot **77** will not fall out, because the post connector (**10** of Fig. 1, for example), when attached, will prevent it from doing so. In this way, the image can be viewed though the faceplate, yet be both removable and protected. As another alternative, images, stencils, hand or printer written sheets, and any other such things could be adhered directly to the faceplate.

(00108) The invention comprises any attachment means for connecting a faceplate with a component part, and is not restricted to the particular attachment means, protuberances, knobs, post, cutouts, etc. shown in the embodiment of Fig. 20

(00109) Faceplates may also be composed of more than one piece, or more than one faceplate may be attached to a component part. For example, two faceplate pieces can fasten together, one on each side of the component part.

(00110) Further, faceplates may have their own faceplate-to-faceplate connectors, whereby faceplates, either already attached to component parts or not, can be attached to one another.

(00111) All of the discussion above for Fig. 20 also relates, and applies, equally as well to any other component part shape, such as squares, rectangles, other polygons, and more, and their associated faceplates. Further, while any of the elements shown in Fig. 20, and/or discussed herein with respect to Fig. 20, may help in the functioning of the invention, none are necessary for it. Different embodiments of the invention may use any number, or none, of them.

(00112) Post connectors such as, but not limited to, **10**, **100**, and **103** can have hole(s) in their sides into which the end(s) of other post connector(s) may be inserted. One such configuration is shown in Fig. 21, where a triangle component is connected to each of the two post connectors **10** that are connected hole-to-end. Other devices and objects may be inserted into the side hole of a post connector, such as, but not limited to, all of the objects, devices, and toys listed above that may be inserted into the end of a post connector. Such holes(s) further expand the range of possible things that can be created with the invention.

(00113) A post connector does not have to be connected such that its axis is aligned with the edge of a component part, but may be aligned with its axis perpendicular to such edge as, for one example, in Fig. 22. Any possible alignment of the post connector axis with respect to a component edge is comprised by the invention. Such post connector can be integral with the component part such as would be accomplished via casting, injection molding, or similar

process. Alternatively, it could be connected to the component part via any means shown herein or known to those skilled in the art. It could snap or clip into place, for example.

(00114) Two post connectors **10** (or **100** or **103** or otherwise) can have their ends connected either rigidly, via means well known to those skilled in the art, or via non-rigid connections such as the spring **130** shown in Fig. 23. In lieu of the spring **130**, a hinge, piece of rubber, or other flexible device or material may be used. For any such flexible connection the post connectors may thus be bent out of axial alignment with one another. Any such connection – flexible, rigid, or malleable – can provide non-axial alignment to post connectors. One example of such a connection would be a plug, one end of which inserts into the open end of one post connector; the other end of which inserts into the open end of a second post connector. All such types of end-to-end post connector connection further expand the range of possible assemblies, and the functioning of such assemblies, provided by the invention.

(00115) An angle limiting component part **140** is illustrated in Fig. 24. Such a component part, when connected to a post connector as shown in Fig. 25, prohibits angular motion of component parts, such as the triangles in Fig. 25. The motion prevention means **150** prevents either triangle component part from moving upwards in Fig. 25. In this example, the motion prevention means **150** fits over, and snaps onto, the connector guide, though that particular mode of functioning is not necessary for the invention. Any such motion prevention means incorporated into an angle limiting component is comprised by the invention.

(00116) Cord, string, wire or similar thing(s) **160** may be strung through component parts and/or post connectors as shown in Figs. 27, 28, and 29, to hold component parts and/or post connectors together and form articles of clothing or many other things. In Fig. 28, cords **160** are used along with triangle components **30** to form a woman's bathing suit top or bra. In Fig. 29 cording is used to connect post connectors **10**, squares **80**, and triangles **30** to form a tie.

(00117) A regular hexagon component part **180** is depicted in Fig. 30. Non-regular hexagons (with different lengths or angles of its side), regular and non-regular pentagons, and any other polygon (equilateral [i.e., regular] or not) are also comprised by the invention.

(00118) Fig. 31 illustrates another embodiment of post connector **10** in which two disk type cutout insertable elements **14** are attached to, or integral with, a post **12**, and for which no connector guide is used. Cutouts on component parts used with such a post connector embodiment would match the cutout insertable elements **14**, and may, or may not, have cutout(s) for connector guide(s). Although Fig. 31 shows two disks **14**, the invention comprises use of a single disk (or a single cutout insertable element.) Thus, the invention includes any

number of disks 14 (or cutout insertable elements.)

(00119) Fig. 32 shows still another embodiment of post connector **10** in which a cutout insertable element **14** of cylindrical shape is attached to, or integral with, a post **12**. Fig. 33 illustrates the connection of such a post connector embodiment **10** with a square component **80**. Cutouts on the square need only match the cutout insertable element **14**, but may, or may not, also have cutouts for cutout insertable elements of disk or other shape and/or connector guide(s). The extensions of rod **10** shown above and below cutout insertable element **14** in Fig. 32 are not necessary for the functioning of the invention. That is, the post connector may comprise a cutout insertable element, similar in function to, though not necessarily the same geometry as, the cutout insertable element **14** of Figs. 32 and 33. Thus, the invention also comprises a post connector comprising a single cutout insertable element. (See Fig. 42.)

(00120) Another embodiment of the invention is illustrated in Fig. 34, which has two posts integral with one another and aligned at right angles, deemed herein a dual cross connector **200**. The angle of the crossing of the two posts does not have to be a right angle, but can be any suitable angle. The two posts do not have to be integral to one another, as could be accomplished by casting or molding, but can be joined in any other suitable fashion known to those skilled in the art. In some configurations, the two posts in Fig. 34 can swivel with respect to one another such that they can form any reasonable angle relative to one another. One way such a swivel can be configured via a rod fixed to one single post connector and at right angles to the axis of that post connector. The second post connector can have a hole in it transverse to its own axis that fits over the rod of the first connector. Many other means well known to those skilled in the art can be employed to configure the two post connectors to swivel with respect to one another, and all of these are comprised by the invention. Also, the posts are shown as rod shaped, but any suitable shape is comprised, in any embodiment, by the word "post".

(00121) Post connectors **10** fixed to one another at, or near, their ends, as via connection **210** in Fig. 35, are also comprised by the invention. Connection **210** is typically a rigid connection, but not necessarily so. It may be a flexible connection, allowing any post connector **10** freedom of motion with respect to any other post connector **10**. Any number of post connectors **10**, or extended post connectors, can be connected in such fashion. For example, three post connectors **10** can be connected similar to the four of Fig. 35. Such post connectors extend radially outward in two or three dimensions from the end connection (the connection point of their ends). This configuration is called an end joined connector assembly **400**, and though shown in Fig. 35 as having four post connectors **10**, it may comprise any number of post

connectors. An end joint connector assembly such as **400** may be a single integrated unit, as may be achieved by casting or molding, or it may comprise separate post connectors **10** attached together.

(00122) In any such assembly, the angles between post connectors **10** do not have to all be equal, as shown in Fig. 35. Each single post connector can have any angle relative to any other post connector. Neither do all post connectors have to lie in the same plane as shown in Fig. 35. For example, they could be aligned to form a frame for a teepee. They can also be configured to be free, or rotate, about a central post connector's axis.

(00123) End joined connector assemblies further expand the number of possible structures that can be created with the present invention.

(00124) Another embodiment of the invention comprises one or more cutout insertable element(s), as shown in Fig. 36, attached to, or integral with, a component part (triangle **220** in Fig. 36.) Such cutout insertable element(s) may then be inserted into a component part having cutout(s) (triangle **30** in Fig. 36) to build structures. Connector guide(s) on the component part may, or may not, be used, in addition to, or in place of cutout insertable element(s). In Fig. 36 a connector guide is used on each edge.

(00125) A similar, yet different, embodiment of the invention is demonstrated in Fig. 37. In that figure, cutout insertable elements **14** (disk shape embodiment in Fig. 37) are attached to, or integral with, a component part (triangle **220** in Fig. 37.) The cutout(s) to match the cutout insertable element(s) **14** are in the cutout post connector **310**. Thus component parts and cutout post connectors can be connected in this embodiment by inserting the cutout insertable element(s) **14** into the cutout(s) in the cutout post connector **310**. Component parts can then rotate angularly in similar fashion as in other embodiments.

(00126) The term "post connector" comprises both male post connectors **10** (and **103**, **110**) as well as female post connectors such as the cutout post connector **310**. The invention comprises use of cutout post connector(s) **310** (female post connectors) in any embodiment shown anywhere herein in place of male post connector(s) **10**. It also comprises use of cutout insertable elements **14** attached to, or integral with, a component part in place of cutouts in any embodiment, as well.

(00127) Cutout (female) post connector **310** may function best by being flat in two dimensions and thin in a third, as shown in Fig. 37, but it is not limited to such a configuration. A cutout, or female, post connector comprises any means to connect component parts

comprising cutouts on such female post connector.

(00128) In the embodiment shown in Fig. 2, relief cutouts **32** enable cutout insertable elements **14** to be snapped into cutouts **31** because such relief cutouts provide flexibility to the cantilever extension between relief cutout **32** and cutouts **31**. The cantilever extension can bend as the cutout insertable elements **14** are inserted into the disk cutouts **31**, but then hold the cutout insertable elements **14** in place thereafter. In the embodiment of Fig. 38, the roles, in terms of flexibility, are reversed. Two disks (cutout insertable elements, more generically) **414** and **418** are used in place of each single cutout insertable element **14**, and no relief cutout **32** is needed. The flexibility to enable snapping together of the post connector **410** and component part 430 is now provided by the two disks **414** and **418**. They move relative to one another (closer typically) as the post connector **410** is snapped into the cutout **432** of component part **430**. Elements **414** and **418** functioning together comprise a single cutout insertable element **14**. Note, nonetheless, that element **414** is not a necessary part of the invention, though it can aid in protecting the latching function of cutout **432**. In other embodiments, cantilever **450** can have a latching bump/lip in addition to, or in place of, the bump/lip on the opposite side of cutout **432**, and this, in conjunction with element **414** can provide other latching means.

(00129) The term post connector comprises both element **410**, and element **10**, though we may at times use the term “flexible connection post connector” to describe element **410**.

(00130) The range of construction possibilities provided by the invention is illustrated by Fig. 39, which shows a model boat that floats constructed of component parts and post connectors. The spheres **20** attached to the ends of post connectors **10** can be filled with air and made airtight (or made of material lighter than water) and thus enable the model to float in bathtubs, swimming pools, lakes or other bodies of water. Alternatively, or in addition, post connectors and/or component parts can be made less dense than water and thus aid, or provide, flotation ability to models. As yet another alternative, lighter than water material, such as foam or air filled balls, can be placed inside a model boat and enable, or help, it to float.

(00131) Further construction assemblies comprised by the invention include sleds and toboggans, which could use an attachable sled runner accessory. These could be made large enough for actual use in snow by children. These could be made, for example, with two sections for two children, and enlarged to three sections for three children, simply by building and attaching an additional section to the original two. Similarly, a bench or loveseat can be assembled simply by latching together two or more chair assemblies. Thus, the invention allows assemblies to be constructed which may be readily, and dynamically, changed for new or

additional purposes.

(00132) A component part and/or a post connector (including a cutout post connector) may incorporate, or be, a musical instrument. For example, a whistle, bell, tuning fork, or guitar type string(s) could be part of a triangular, square, or other component part. They could be attached, or the part itself could be an instrument. One way this may be done is by making a component part hollow and having a opening into which a person could blow air and cause a sound to be emitted from the component part. Other holes could exist in the part allowing the user to cover such holes or not, thereby changing the note(s) played by the part/instrument. In addition, a component part, or a faceplate for a component part, could be fashioned like a drum, such that tapping it produces a drum-like sound.

(00133) Similarly, a post connector could be a whistle or flute. It could be hollow, or partially hollow, with one or both ends open and optionally, a mouthpiece on one end facilitating the playing of musical notes via blowing air through the mouthpiece or open end. Such post connector could have one or more holes or slits in it allowing different notes to be played depending on whether the user covered said holes and/or slits. The invention also comprises one or more slits in a post connector designed to fit up against a component part, such that by moving the component part angularly, the size of the opening allowing air to escape is changed, thereby changing the pitch of the note(s) played.

(00134) By appropriate alignment of component parts via post connector connections, parabolic or similar surfaces can be formed. By mounting mirrors or other reflective material on the component parts (and/or post connectors and/or faceplates), one could build a solar cooker from the invention, and such solar cooker is comprised by the invention.

(00135) Faceplates for any component part, such as faceplate **70** for a triangle component part, can have one or more holes for mounting wheels, or wheel axles, as well. Any faceplate could also have a knob, or similar structure, to permit mounting of one or more wheels.

(00136) The post connectors **10** (and **100**, **103**, **310**, and **410**) can be hollow axially, to save weight or to permit strings, wires or similar things to pass through them. As noted previously, the post connectors can also have holes passing through them radially. Such holes and hollows allow creative use of cords, strings, wires, or the like in many ways, can add strength to any structure, and may provide added visual appeal. Holes through, or simply in the ends of, post connectors can be threaded, enabling knobs, spheres, end connectors to other post connectors, or any number of other items to be threaded into such end holes.

(00137) Although post connectors **10**, **100**, **103**, **310**, and **410** have been shown herein in prior figures to be rod-like, they are not limited to any particular shape. They could, for example, have hexagonal, square, or any other cross section, rather than circular. They could be something other than straight in the axial direction. The invention comprises any shape post connector and associated component part which permits two or more component parts to be connected and move (swing or hinge) relative to one another in the angular direction of the post connector (around the axis of the post connector.) This may comprise disk, cylindrical, partial disk section, partial cylindrical section, quasi-cylindrical, quasi-cylindrical section, ring, or other shape portions of the post connector that may be inserted into cutouts in a component part. The cutouts may be of any suitable shape and/or type that accommodate such insertion and motion. The post connector may be of any suitable shape, size, and/or type to accommodate such insertion and motion. For example, the post connector does not have to keep the same basic post diameter at all positions along it axially.

(00138) Fig. 40 is but one example, of innumerable possible configurations, for the post connector **10** (and also **100**, **103**, **310**, and **410**, by implication), which vary from those shown in earlier figures. The post connector **10** of Fig. 40 has variable shape and size of its cross section, is not straight all along the axial direction, has cutout insertable element **14** which is part of an ellipse rather than a circular disk, and employs a connector guide **16** which is not cylindrical or quasi-cylindrical. Cutouts in any component part would match those of the particular embodiment of post connector employed.

(00139) Thus, the cutout insertable element shall be considered represented by the number **14** in all figures, even though such figures may show a disk shape. When the cutout insertable element is disk-like in shape, or an arc section of a full disk, we shall refer to it as a “disk”. When such disk extends over a full 360⁰, we may sometimes refer to it as a “complete disk”, or “360⁰ disk”. The cutout insertable element may be considerably thicker than the disk **14** shown in the figures, and may even be longer in the axial direction than its own diameter (or width in direction perpendicular to the axial.) Oval, or other shaped, cutout insertable elements (as well as connector guides) can be used, and such use may allow them to function as a cam shaft when component parts are rotated about the post axis (or about the varying radius of the oval or other shape.)

(00140) Also, cutouts on any part of a post connector, including for example a disk, may be mated with associated male portions of a component part to allow latching/connection of a post connector to a component part.

(00141) Additionally, disks **14** may have certain geometries such that by inserting them into a cutout and turning them, they lock into place.

(00142) Yet another embodiment of the invention is illustrated in Fig. 41. In this embodiment, protrusions (or protuberances) **480** on component part **470** are used for the same function as cutouts are used in other embodiments, such as that of Fig. 2. That is, the cutout insertable element(s) **14** (or, in this case, the “protrusion attachable element(s)”) can be placed adjacent one or more protrusion(s) **480** on the component part, as in Fig. 41, and thus connect the post connector **10** with the component part **470**.

(00143) The protrusion attachable element **14** is shown as cylindrical in shape in Fig. 41, but it can be quasi-cylindrical or any other shape. There can be one or more of them.

(00144) The component part **470** as shown in Fig. 41 has protrusions **480** on only one edge, but such protrusions, like cutouts, can be on any number of edges. In many embodiments, either protrusions like **480**, or cutouts, are on every edge of a component part.

(00145) In yet another embodiment, the protrusions may be on the post connector with appropriate protrusion attachable element(s) on the component part.

(00146) In yet another embodiment, one or more protrusions (protuberances) can be on a faceplate (facemount). A post connector or any other item can then be connected directly to a faceplate.

(00147) The terms “component”, “component part”, and “part” as used herein all have the same meaning and refer to a component part with cutout(s) as in Fig. 2, cutout insertable element(s) as in Figs. 36 & 37, protrusion attachable elements, protrusions (or protuberances), as in Figs. 41 & 42, used to connect such component part to a post connector, and/or any other means to connect the component part to a post connector. The generic term encompassing the aforementioned four of these element types, as well as any other means to provide connection to a post connector, is “post connector connecting element”. The invention comprises use of any of these post connector connecting element types in place of any other post connector connecting element in any configuration and/or embodiment discussed, or implied, anywhere herein, or which could be readily deduced from a discussion herein.

(00148) Similarly, the term “post connector” refers to a device with cutout insertable elements (such as in Figs. 1 & 38, for example), protrusion attachable elements (Figs 41 and 42), cutouts (as in Figs. 36 & 37, for example), protrusions (not illustrated) that can be used to connect such post connector with a component part, and/or any other means to connect the post

connector to a component part. The generic term encompassing the aforementioned four of these element types, as well as any other means to provide connection to a component part, is “component part connecting element”. The invention comprises use of any of these component part connecting element types in place of any other component part connecting element in any configuration and/or embodiment discussed, or implied, anywhere herein, or which could be readily deduced from a discussion herein..

(00149) The extensions of the post **12** beyond the end(s) of the protrusion attachable element **14**, as shown in Fig. 41, is optional, and the invention comprises a post connector **10** without one or both of those extensions. For example, the post connector **10** can appear to be simply a cylinder such as element **14** in Fig. 42, with the post **12** considered internal to it, integral with it, or the same thing as it (as labeled in Fig. 42).

(00150) In any embodiment, a component part connecting element (such as the protrusion attachable element of Figs. 41 and 42) may be cylindrical, quasi-cylindrical, disk shaped, partially cylindrical, partially quasi-cylindrical, partially disk shaped, or any other suitable shape. Regardless of the shape of the component part connecting element, it may be internal to, integral with, or the same thing as, the post. When we refer herein to a post and any component part connecting element, such reference comprises embodiments in which the post and the component part connecting element are one and the same thing, as well as those in which they are different.

(00151) The invention thus comprises configurations such as, and/or similar to, the post connector **10** configuration of Fig. 42 for cutout insertable elements in lieu of protrusion attachable elements, as both are component part connecting elements. It also comprises use of such configurations as post connector connecting elements (i.e., as protrusion attachable elements and/or cutout insertable elements) in component parts. As but one example of this, the cylindrical protrusion attachable element **14** of Fig. 42 can be a part of a square (or any other type of) component part, rather than a part of a post connector.

(00152) Fig. 43 shows another embodiment of the invention with a faceplate **86** (or facemount) extending in a third dimension considerably beyond the plane of the surface of the square part **80**. In Fig. 43 the faceplate is shown as a child’s letter block with the letter “A” inscribed on the outer most face. Any letter or number can be on a faceplate and thus, the invention may be used to help children learn their ABC’s and numbers. Other shapes, symbols, animals, or characters can be on a faceplate, as well.

(00153) Faceplates (facemounts) can extend to any reasonable length in the third

dimension out of the component part surface, and can be of any shape. They can also extend outside the edges of a component part within the 2D surface of the component part.

(00154) In another embodiment of the invention, wiring or printed circuitry could be an integral (or attached) part of components, post connectors, and/or connector guides. When these are used to construct an assembly, the wiring or printed circuitry could be used to illuminate LEDs or other lights, run motors or fans, power speakers, and/or more. Snapping, or otherwise connecting of components and post connectors together, can complete the circuits and thereby enable immediate functionality of devices such as LEDs, motors, fans, speakers, and/or more.

(00155) The preferred embodiment comprises a quasi-cylindrical connector guide **16**. The term “connector guide” as used herein, however, shall refer to any shape serving the function of the connector guide **16** of Fig. 1. The quasi-cylindrical and cylindrical connector guides are special cases of the connector guide. The connector guide can be a useful part of the invention, but is not necessary for it. Embodiments may, or may not, incorporate connector guide(s).

(00156) If the connector functions as a hinge, then the connector guide may be called a hinge guide. The term connector guide refers to either a hinge connection or a non-hinge connection.

(00157) Although the cutout insertable element (360° disk **14** in Fig. 1) and the connector guide (quasi-cylindrical connector guide **16** in Fig. 1) are effectively co-axial with the main axis of the post connector **10**, they do not have to be effectively coaxial with the post connector nor with each other.

(00158) The invention comprises a post connector with a post and a component part connecting element, attached to or integral with the post, with or without a connector guide. It also comprises a post connector with a post and a connector guide, attached to or integral with the post. It also comprises a single component part connecting element and a post. The component part connecting element can be placed anywhere along the post, axially or otherwise. Likewise, the connector guide can be placed anywhere along the post, axially or otherwise. The component part connecting element could also have a shape similar to that shown for the connector guide **16** in many figures herein, or any other suitable shape that serves the same function as demonstrated herein.

(00159) The invention comprises a post connector to component part connection that permits swiveling, like a hinge, of the component part relative to the post connector in the angular direction about the post connector long axis. Likewise, it comprises a post connector to

component part connection that locks, i.e., resists swiveling like a hinge, of the component part relative to the post connector in the angular direction about the post connector long axis.

(00160) The invention further comprises a component comprised of a geometric shape and a post connector connecting element.

(00161) The post connector and each component part, and any of their subparts, can be made of any suitable material, including, but not limited to, plastic, metal, wood, ceramic, and rubber. They can be any size or shape, and in fact, different sizes of component parts may be assembled together in the same structure. Cutouts and protrusions (protuberances) can be any suitable size or shape.

(00162) The invention comprises essentially two dimensional (2D) component parts (thin in the third dimension), which may be assembled via post connectors into two (thin in the third dimension) and/or three dimensional (3D) structures. It also comprises component parts of three dimensions (not thin in a third dimension), which may be assembled via post connectors into 3D structures.

(00163) Although the figures show much detail, such details are not essential to the invention. The drawings merely show special cases, or embodiments, of the invention. The essential elements of the invention are recited in the claims.

(00164) Although the title of this patent application employs the word "toy", and said word is used throughout this specification, the invention is not limited to toys, but is applicable to any and all structural, and/or other, uses.

(00165) This invention can thus be seen to have significant, novel advantages over the prior art delineated in the above "Description of Prior Art" section.

(00166) While the above description contains many specificities, the reader should not construe these as limitations on the scope of the invention, but merely as exemplifications of preferred embodiments thereof. Those skilled in the art will envision many other possibilities that are within its scope.

(00167) Accordingly, the scope of the invention should be determined not by the embodiments described, but by the appended claims and their legal equivalents.

CLAIMS

We claim:

1. A device comprising
 - a) a component part having predetermined shape and a post connector connecting element, and
 - b) a post connector comprised of a post and a component part connecting element wherein at least part of said component part connecting element is substantially displaced radially from the central axis of the post, and wherein said post connector and said component part may be connected via said component part connecting element and said post connector connecting element to form a structure or a part of a structure, such that said component part and said post connector in said structure may swivel relative to one another, whereby children and others may construct structural assemblies for many purposes, including simply for fun.
2. The device of claim 1 wherein the component part connecting element is a cutout insertable element or a protrusion attachable element.
3. The device of claim 1 wherein the component part connecting element comprises at least a portion of a disk.
4. The device of claim 1 wherein the component part connecting element is a disk having axial length greater than the largest dimension of said disk perpendicular to the disk axial dimension.
5. The device of claim 1 wherein the component part connecting element is a disk having axial length greater than the largest dimension of said disk perpendicular to the disk axial dimension, wherein an end of said post and an end of said component part connecting element are effectively co-planar, and wherein said post and said component part connecting element are effectively integral.
6. The device of claim 1 wherein the component part connecting element comprises, at least partially, an oval, or other non-circular, shaped edge.
7. The device of claim 1 wherein the component part connecting element is a cutout on said post connector or a protrusion on said post connector.

8. The device of claim 1 wherein the post connector connecting element is a cutout on said component part.
9. The device of claim 1 wherein the post connector connecting element is a protrusion on said component part.
10. The device of claim 1 further comprising a means to provide connection stabilization attached to, or integral with, said post connector
11. The device of claim 1 further comprising a means to provide connection stabilization attached to, or integral with, said post connector wherein the means to provide connection stabilization comprises a connector guide, wherein said connector guide has cylindrical or quasi-cylindrical shape.
12. The device of claim 1 further comprising
 - a) a means to provide stabilization attached to, or integral with, said post connector wherein the means to provide stabilization is a connector guide, and
 - b) a second post connector attached to said connector guide wherein the axes of said two post connectors are not co-axial.
13. The device of claim 1 wherein said post connector is comprised of two of said component part connecting elements.
14. The device of claim 1 further comprising means for preventing swiveling of the post connector relative to the component part.
15. The device of claim 1 further comprising a facemount of predetermined shape and size wherein said facemount is attached to said component part.
16. The device of claim 1 further comprising a facemount of predetermined shape and size wherein said facemount is attached to said component part and wherein the shape of said facemount is substantially three dimensional.
17. The device of claim 1 further comprising a facemount of predetermined shape and size wherein said facemount is attached to said component part and wherein said facemount contains an element selected from the group consisting of decals, letters, numbers, toy figures, mirrors, axles, knobs, plugs, threaded plugs, posts, protuberances, blocks, post

connectors, artificial flowers, real flowerers, rods, lollipops, flags, fish, candy, glitter, lava lamp goo, holes, paintings, laser markings, pictures, tattoos, hand written sheets, printed written sheets, stencils, images, drum membranes, and other facemounts.

18. The device of claim 1 further comprising a facemount of predetermined shape and size wherein said facemount is attached to said component part and to a second component part.
19. The device of claim 1 wherein an element selected from the group consisting of spheres, hooks, screw eyes, suction cups, threaded rods, magnets, whistles, springs, hinges, toys, toy figures, lollipops, wheel axles, wheels, artificial flowers, real flowers, flashlights, LEDs, and bubble wands is attached to, or an integral part of, said post connector.
20. The device of claim 1 further comprising an attachment to said component part wherein said attachment is selected from the group consisting of decals, letters, numbers, toy figures, mirrors, axles, wheels, knobs, plugs, threaded plugs, posts, protuberances, blocks, artificial flowers, real flowerers, rods, lollipops, flags, fish, candy, glitter, lava lamp goo, paintings, laser markings, pictures, tattoos, hand written sheets, printed written sheets, stencils, images, LEDs, flashlights, bubble wands, toy figures, artificial flowers, real flowers, spheres, hooks, screw eyes, suction cups, magnets, whistles, springs, hinges, toys, and drum membranes.
21. The device of claim 1 further comprising a second component part wherein the second component part is attached inside the first component part.
22. The device of claim 1 further comprising an extended post connector comprised of four component part connecting elements arranged to permit attachment of two component parts to said extended post connector along the axial direction of said extended post connector.
23. The device of claim 1 further comprising two additional post connectors wherein said two additional post connectors are flexibly or rigidly connected at their ends to share a common axis.
24. The device of claim 1 further comprising an additional plurality of post connectors wherein said additional plurality of post connectors are flexibly or rigidly connected to one another, and wherein the axes of said additional plurality of post connectors do not share a common axis.

25. The device of claim 1 further comprising means to restrict angular motion of said component part relative to said post connector.
26. The device of claim 1 further comprising an angle limiting component wherein said angle limiting component is connected to said post connector or said component part and restricts angular motion of said component part relative to said post connector.
27. The device of claim 1 comprising a at least one post connector wherein string, chord, wire or other flexible string like element passes through the insides of said at least one post connector.
28. The device of claim 1 wherein said post connector comprises a musical instrument.
29. The device of claim 1 wherein said component part comprises a musical instrument.
30. The device of claim 1 further comprising
- a) a plurality of post connectors
 - b) a plurality of component parts, and
 - c) pieces of reflective material
- wherein said pieces of reflective material are mounted on at least some of the plurality of component parts, the plurality of post connectors, or facemounts attached to component parts, and wherein said pieces of reflected material are arranged to redirect sunlight to effectively a common focal region.
31. The device of claim 1 further comprising electronic circuitry wherein said electronic circuitry powers LEDs, other lights, motors, fans, speakers or other electrical devices wherein said electrical devices are connected to component parts, post connectors, or connector guides.
32. The device of claim 1 further comprising
- a) a plurality of post connectors wherein each said post connector is comprised of a connector guide and two disk shaped component part connecting elements, and
 - b) a plurality of component parts, each said component part comprised of connector guide cutouts, post connector connecting elements comprised of cutouts, latch elements, and relief cutouts, wherein at least some of said component parts have shapes selected from the group consisting of triangles, squares, rectangles, diamonds, pentagons, hexagons, octagons, rectangular solids, cylinders, sections of

cylinders, and tetrahedrons.

33. A device comprising

- a) a component part having predetermined shape and a post connector connecting element, and
- b) a post connector comprised of a post and a component part connecting element distinct from a socket at an end of said post,

wherein said post connector and said component part may be connected via said component part connecting element and said post connector connecting element to form a structure or a part of a structure, such that said component part and said post connector in said structure may swivel relative to one another, whereby children and others may construct structural assemblies for many purposes, including simply for fun.

34. A method for structural assembly comprising

- a) making a component part having predetermined shape and having a post connector connecting element,
- b) constructing a post connector comprised of a post and a component part connecting element,
- c) connecting said post connector and said component part via said component part connecting element and said post connector connecting element to form a structure or a part of a structure,

wherein at least part of said component part connecting element is substantially displaced radially from the central axis of the post, and wherein said component part and said post connector in said structure may swivel relative to one another, whereby children and others may construct structural assemblies for many purposes, including simply for fun.

35. The method for structural assembly of claim 33 further comprised of

- a) constructing a plurality of post connectors wherein each said post connector has a connector guide and two component part connecting elements comprised of disks, and
- b) making a plurality of component parts, each having connector guide cutouts, post connector connecting elements comprised of cutouts, latch elements, and relief cutouts, wherein at least some of said component parts have shapes selected from

the group consisting of triangles, squares, rectangles, diamonds, pentagons, hexagons, octagons, rectangular solids, cylinders, sections of cylinders, and tetrahedrons.

36. The method for structural assembly of claim 33 further comprising attaching a facemount to said component part wherein said facemount contains an element selected from the group consisting of decals, letters, numbers, toy figures, mirrors, axles, knobs, plugs, threaded plugs, posts, protuberances, blocks, post connectors, artificial flowers, real flowerers, rods, lollipops, flags, fishes, candy, glitter, lava lamp goo, holes, paintings, laser markings, pictures, tattoos, hand written sheets, printed written sheets, stencils, images, drum membranes, and other facemounts.

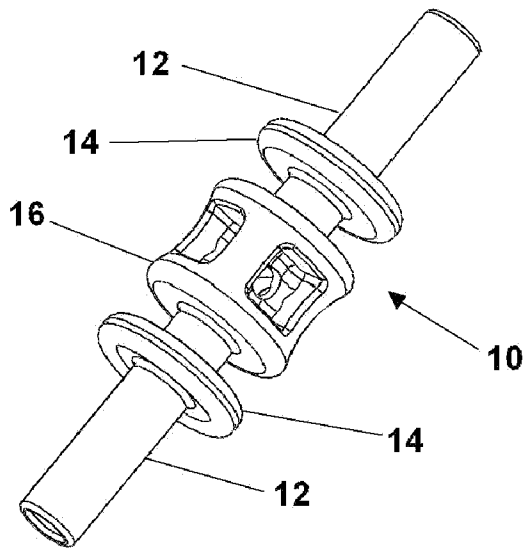


Figure 1

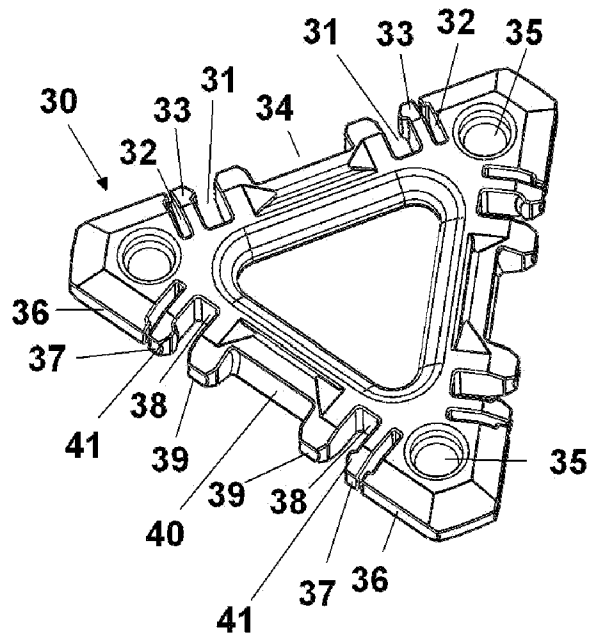


Figure 2

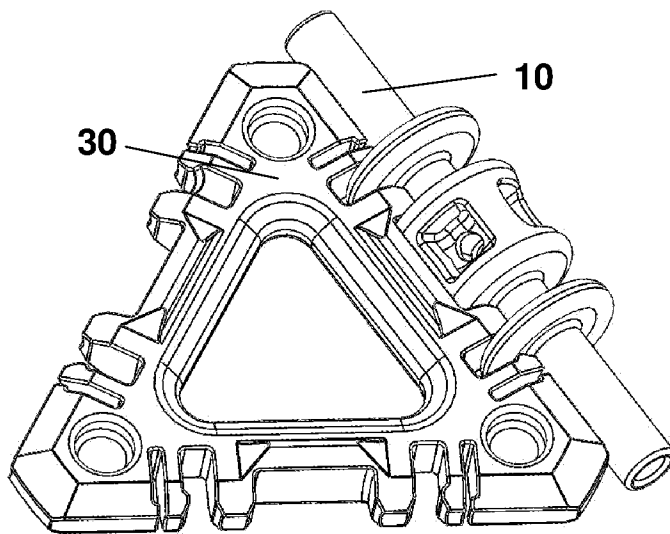


Figure 3

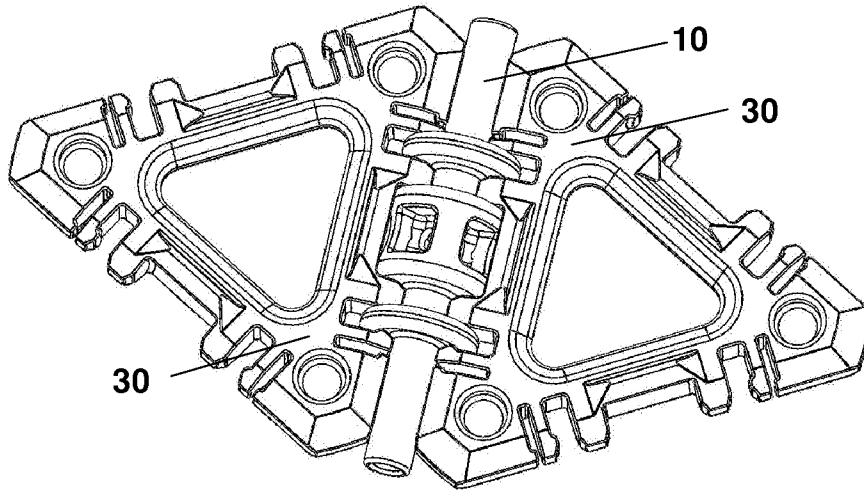


Figure 4

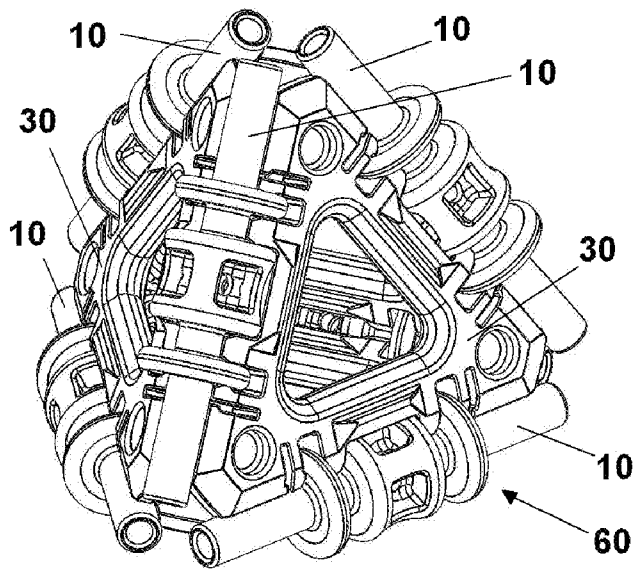


Figure 5

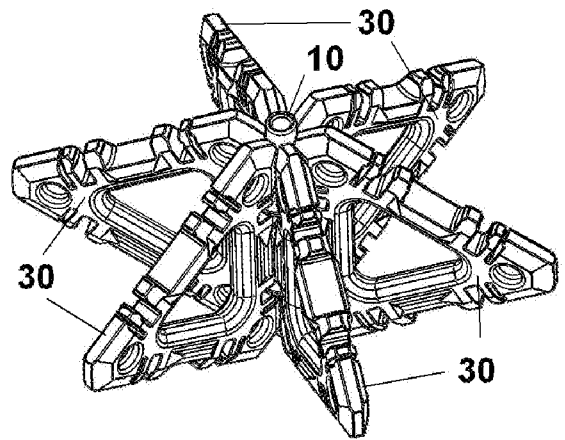


Figure 6

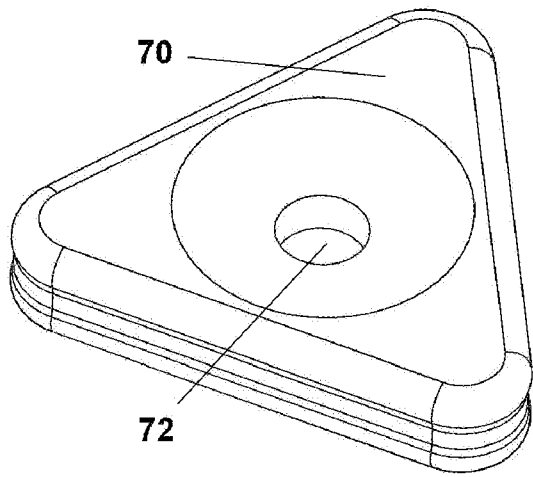


Figure 7

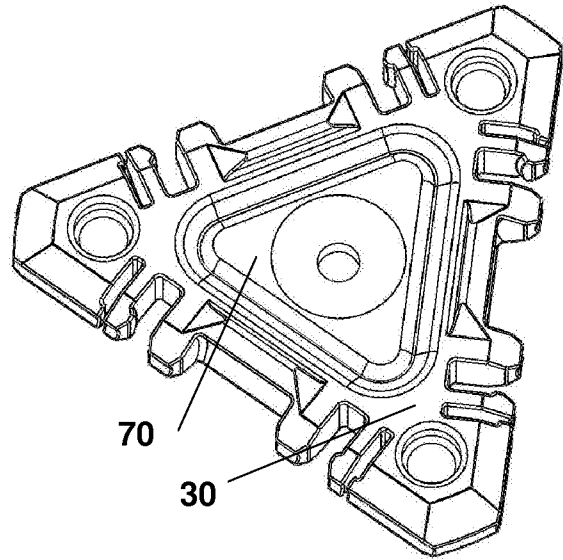


Figure 8

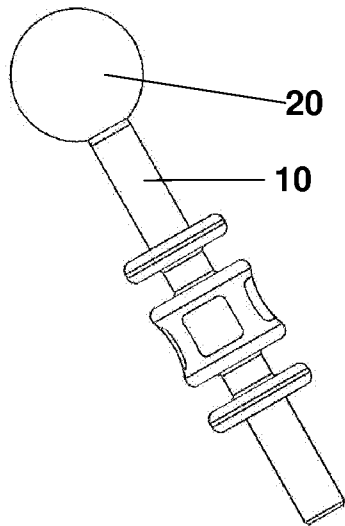


Figure 9

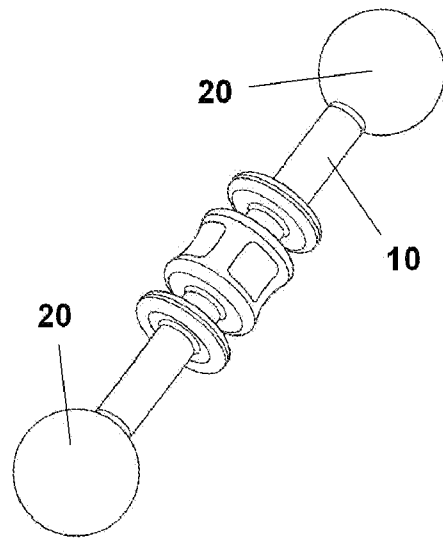


Figure 10

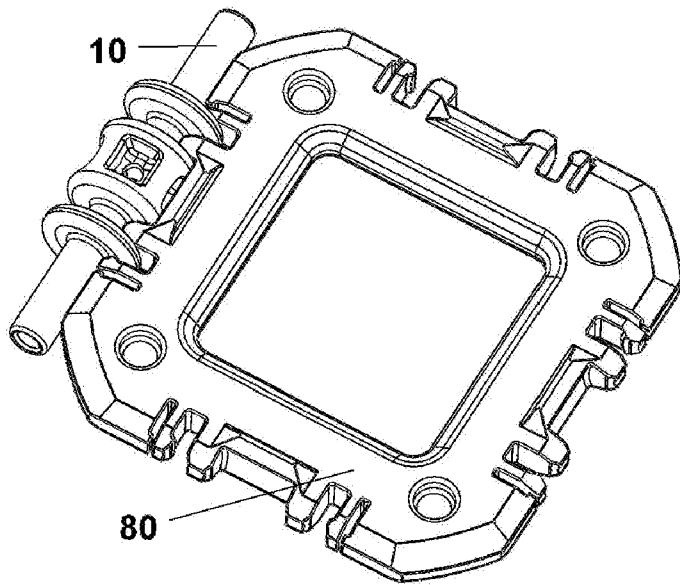


Figure 11

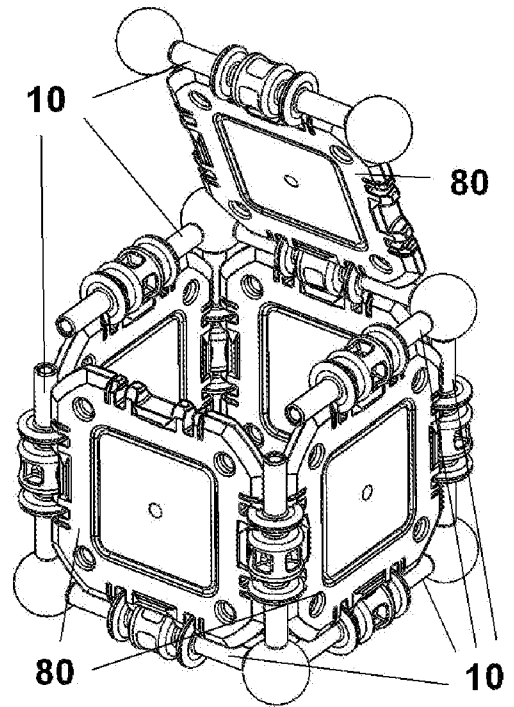


Figure 13

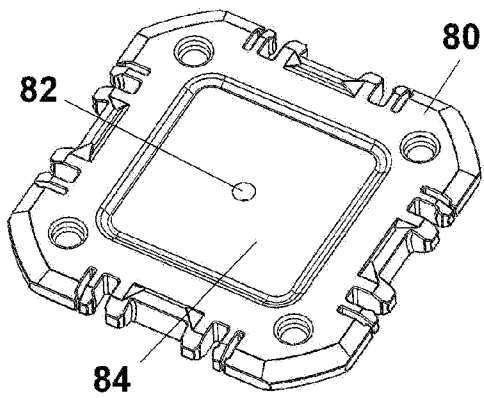


Figure 12

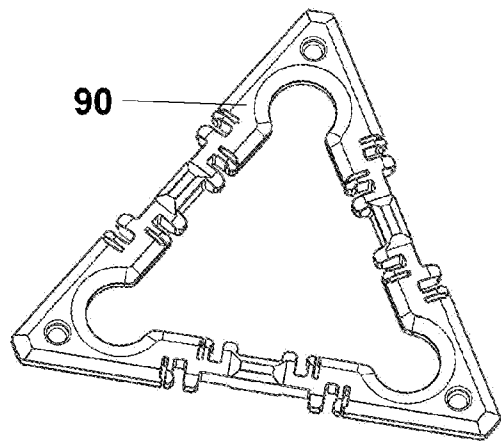


Figure 14a

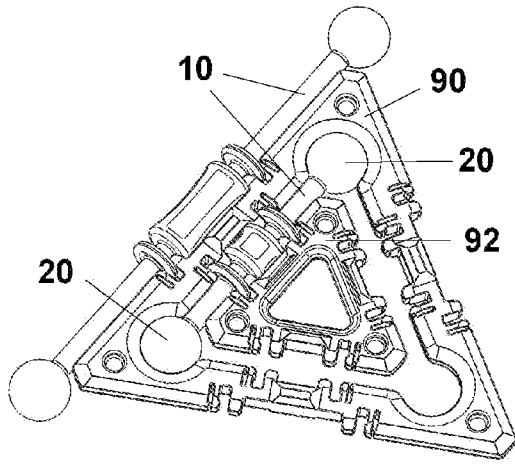


Figure 14b

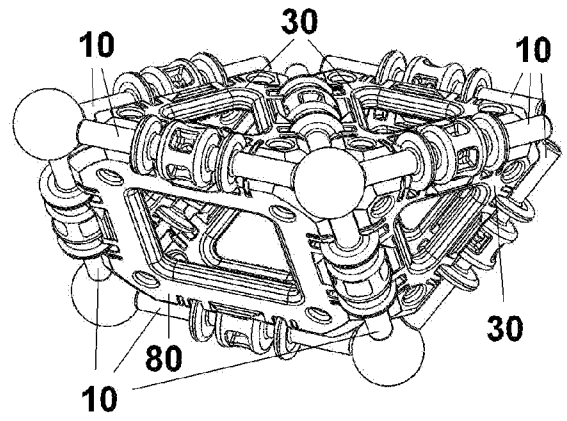


Figure 15

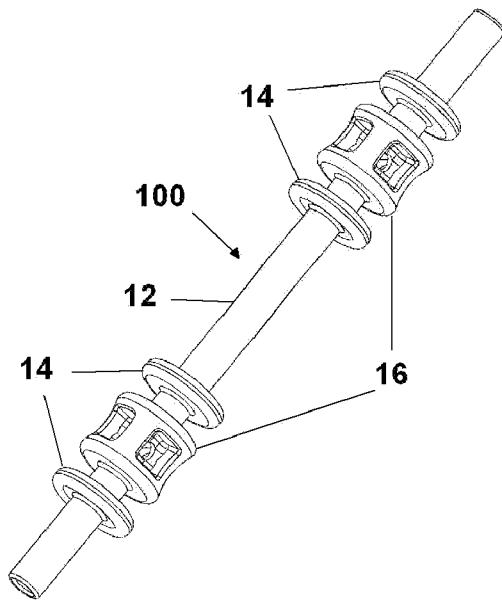


Figure 16

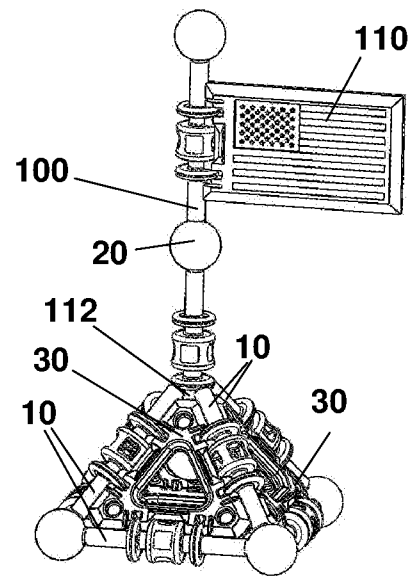


Figure 17

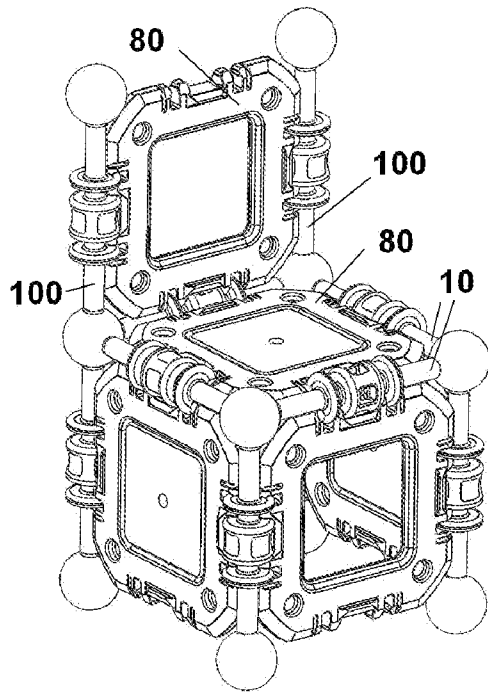


Figure 18

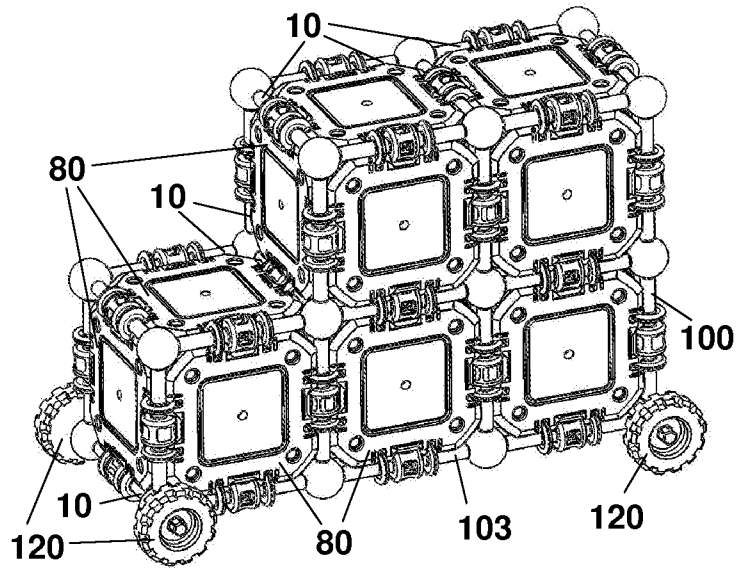


Figure 19

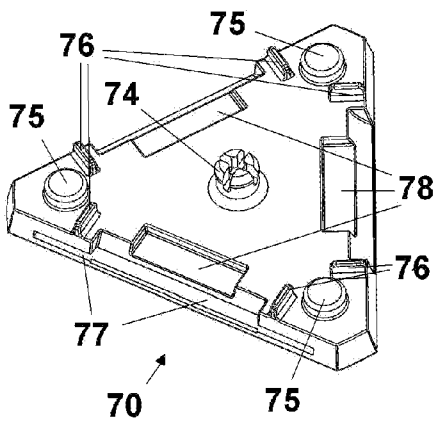


Figure 20

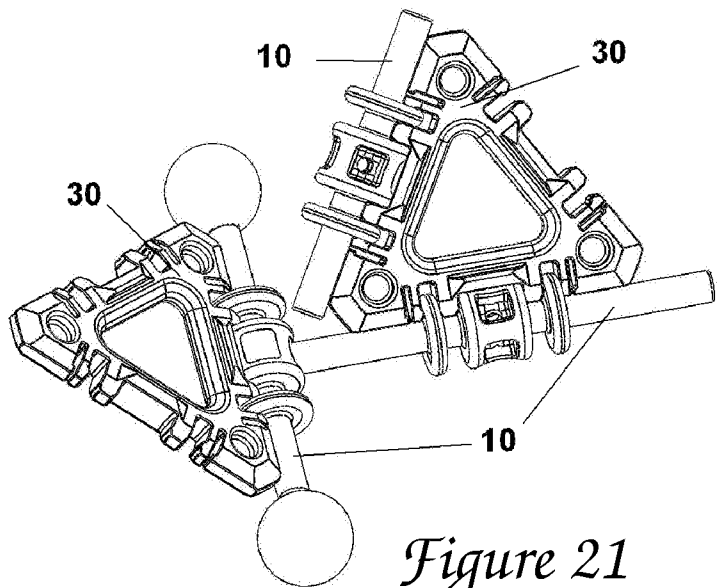


Figure 21

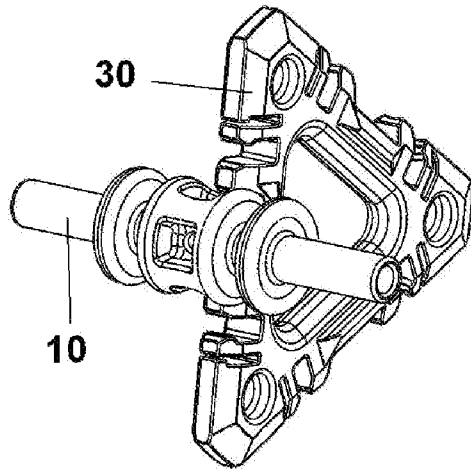


Figure 22

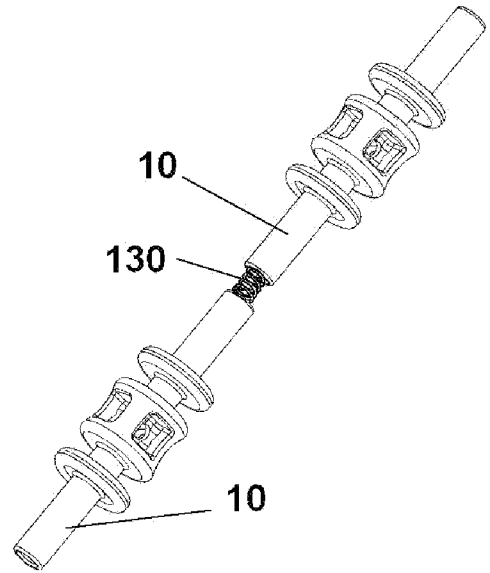


Figure 23

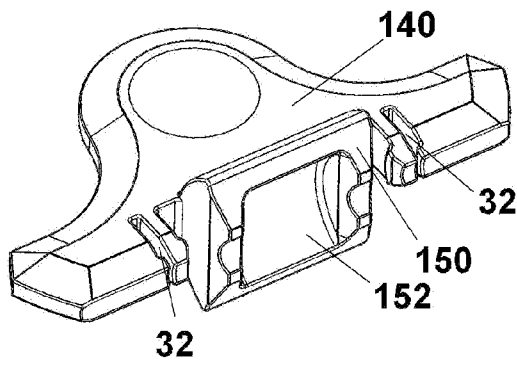


Figure 24

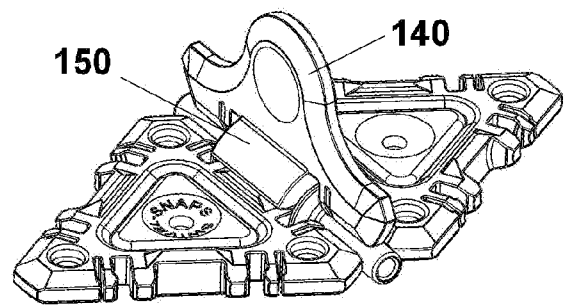


Figure 25

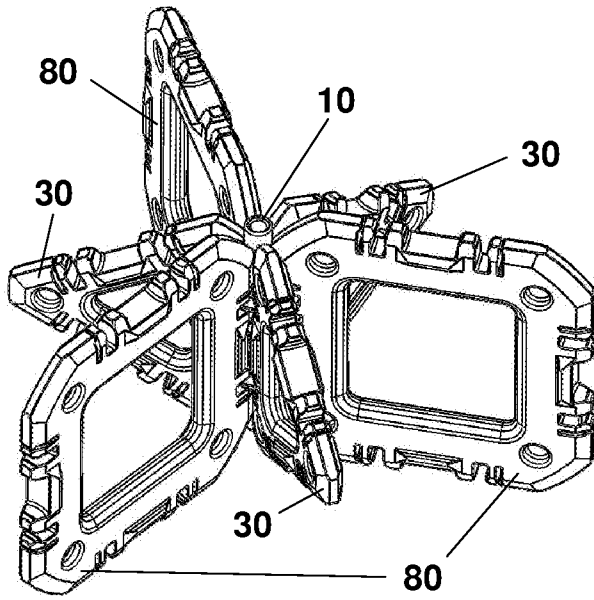


Figure 26

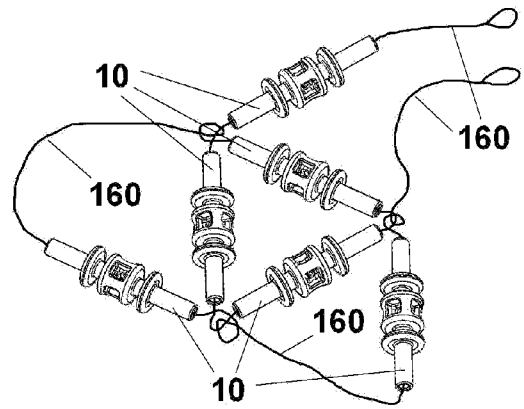


Figure 27

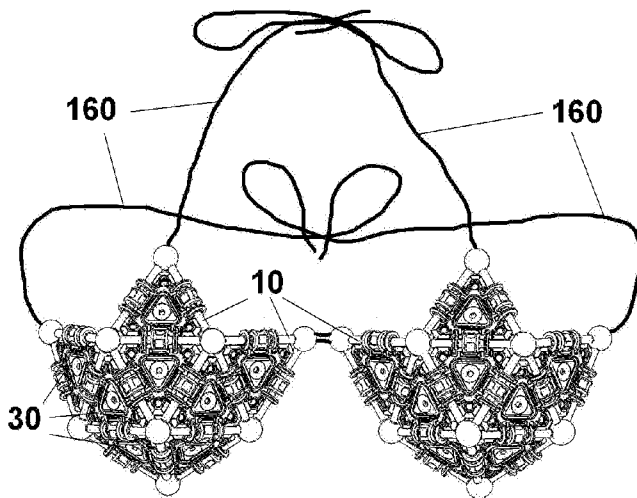


Figure 28

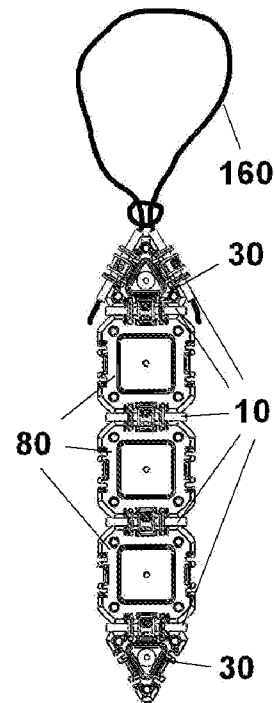


Figure 29

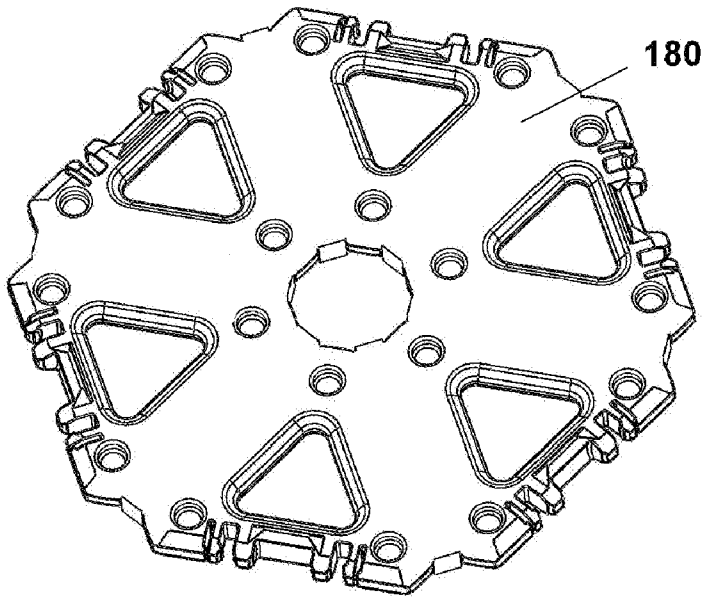


Figure 30

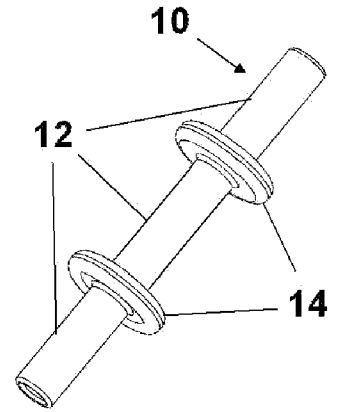


Figure 31

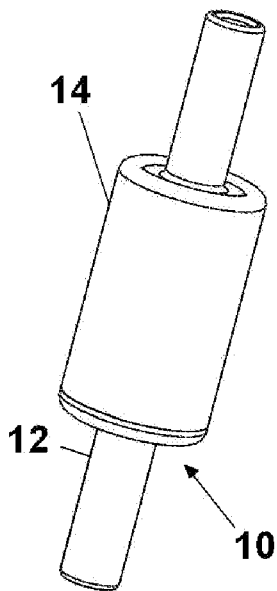


Figure 32

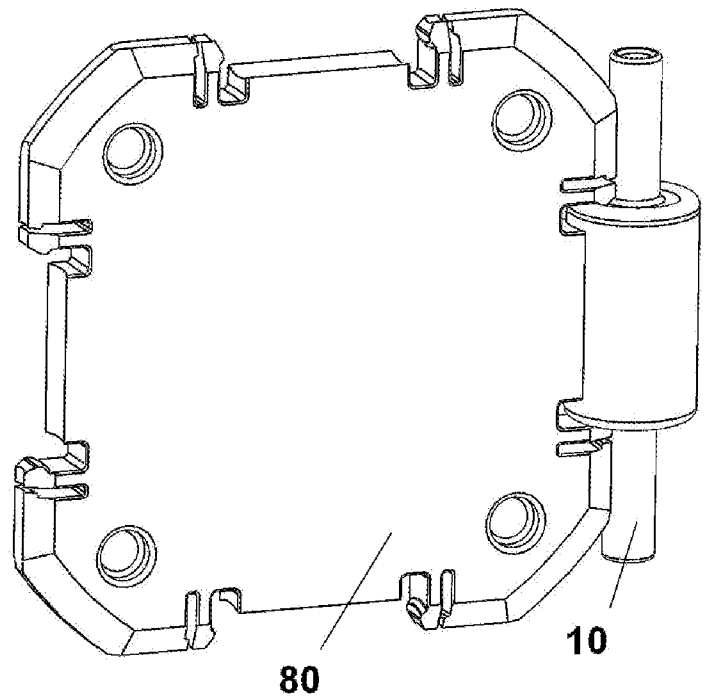


Figure 33

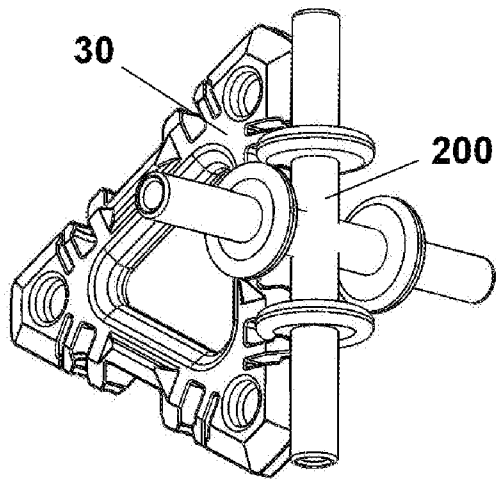


Figure 34

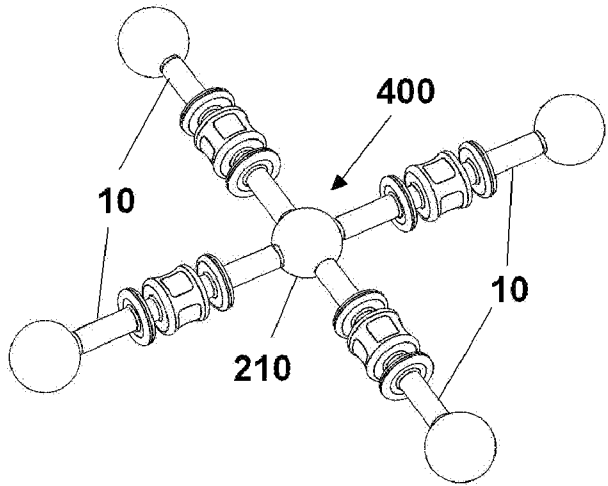


Figure 35

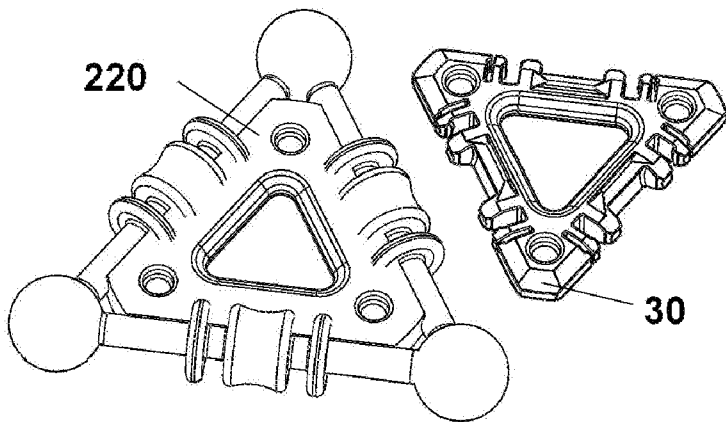


Figure 36

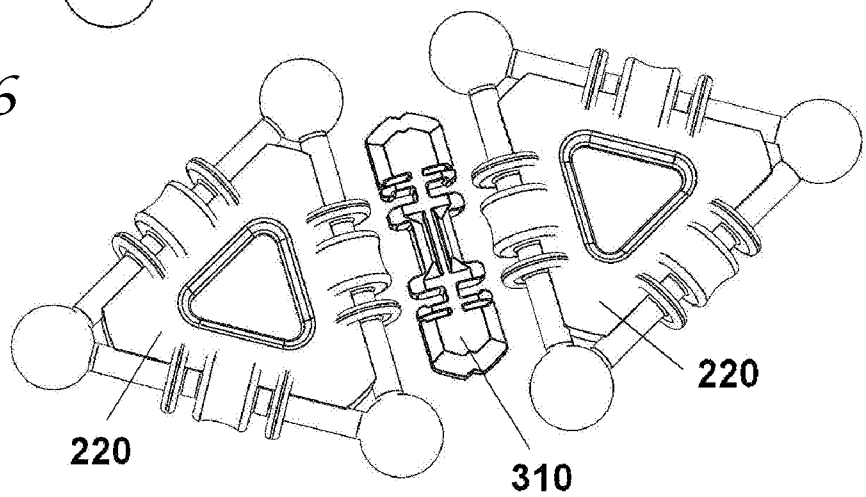


Figure 37

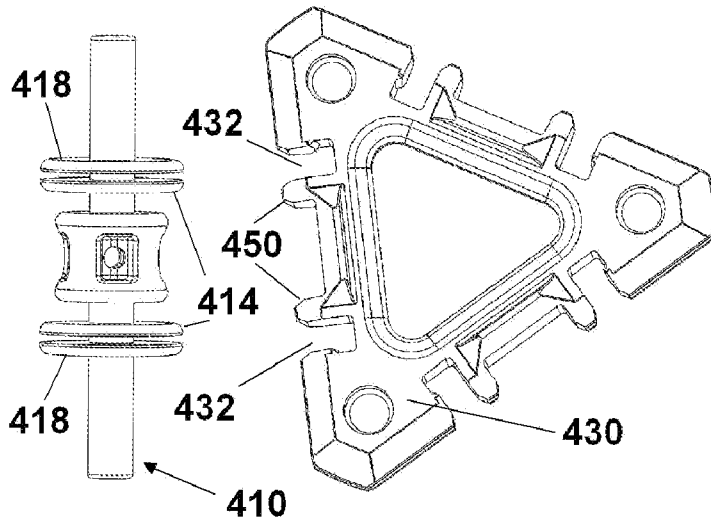


Figure 38

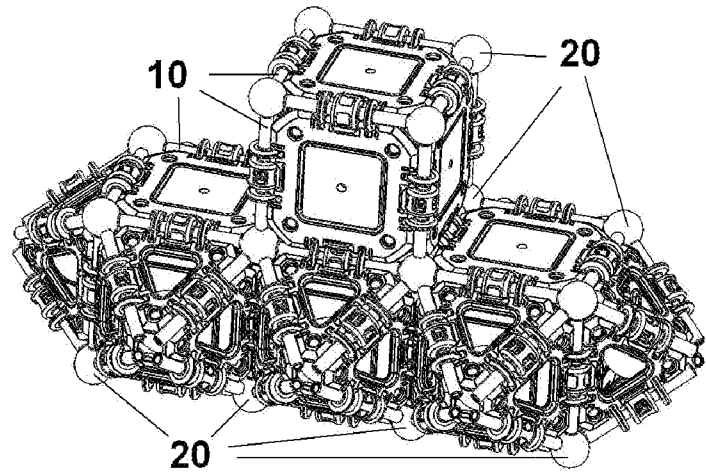


Figure 39

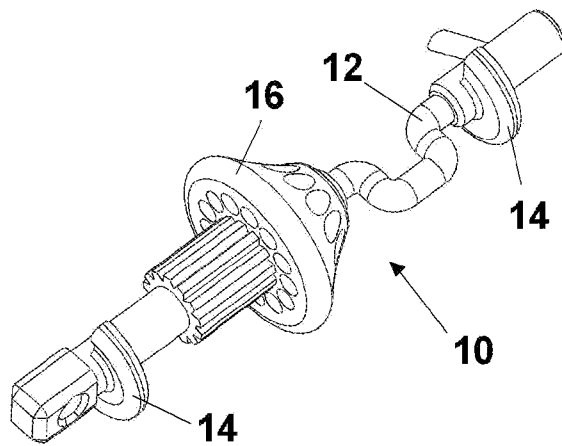


Figure 40

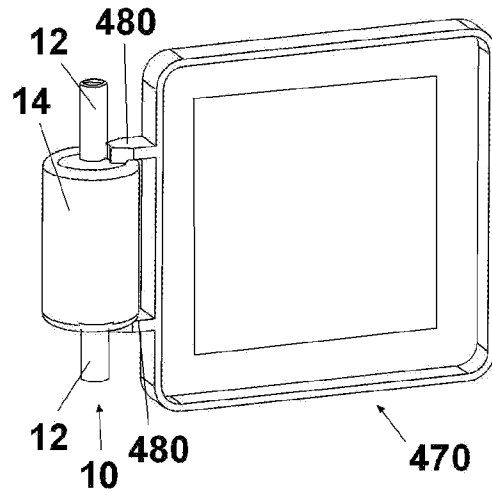


Figure 41

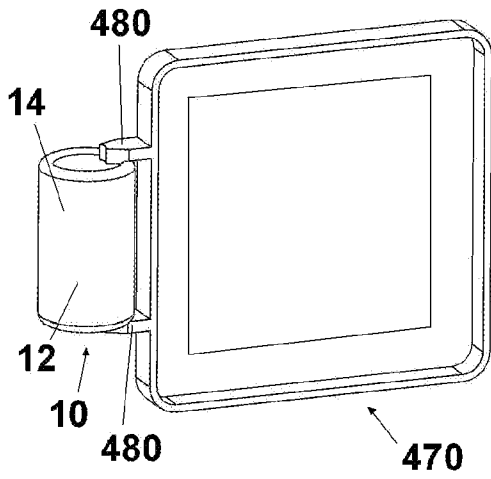


Figure 42

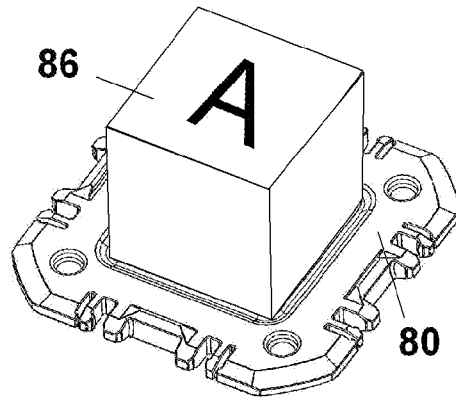


Figure 43

INTERNATIONAL SEARCH REPORT

International application No PCT/US2011/035107

A. CLASSIFICATION OF SUBJECT MATTER INV. A63H33/06 A63H33/10 ADD.				
According to International Patent Classification (IPC) or to both national classification and IPC				
B. FIELDS SEARCHED				
Minimum documentation searched (classification system followed by classification symbols) A63H				
Documentation searched other than minimum documentation to the extent that such documents are included in the fields searched				
Electronic data base consulted during the international search (name of data base and, where practical, search terms used) EPO-Internal, WPI Data				
C. DOCUMENTS CONSIDERED TO BE RELEVANT				
Category*	Citation of document, with indication, where appropriate, of the relevant passages	Relevant to claim No.		
X	US 2002/086605 A1 (CHEUNG KWAN S [US]) 4 July 2002 (2002-07-04)	1-3,6,7, 33,34		
A	page 2, paragraph 0040 - page 2, paragraph 0042; figures 10-18 -----	4,5,29, 35		
X	WO 2009/103967 A1 (KLIKITS LTD [GB]; FOGEL RACHEL [GB]; FOGEL ALTA MRDECHAI [GB]) 27 August 2009 (2009-08-27)	1-3,6,7, 33,34		
A	page 6, line 7 - page 8, line 24; figures 10,11 -----	4,5,29, 35		
A	WO 03/059481 A1 (CONNECTOR SET LP [US]) 24 July 2003 (2003-07-24) the whole document -----	1-7,29, 33-35		
-/--				
<table style="width: 100%; border: none;"> <tr> <td style="width: 50%; border: none;"><input checked="" type="checkbox"/> Further documents are listed in the continuation of Box C.</td> <td style="width: 50%; border: none;"><input checked="" type="checkbox"/> See patent family annex.</td> </tr> </table>			<input checked="" type="checkbox"/> Further documents are listed in the continuation of Box C.	<input checked="" type="checkbox"/> See patent family annex.
<input checked="" type="checkbox"/> Further documents are listed in the continuation of Box C.	<input checked="" type="checkbox"/> See patent family annex.			
* Special categories of cited documents :				
"A" document defining the general state of the art which is not considered to be of particular relevance "E" earlier document but published on or after the international filing date "L" document which may throw doubts on priority claim(s) or which is cited to establish the publication date of another citation or other special reason (as specified) "O" document referring to an oral disclosure, use, exhibition or other means "P" document published prior to the international filing date but later than the priority date claimed		"T" later document published after the international filing date or priority date and not in conflict with the application but cited to understand the principle or theory underlying the invention "X" document of particular relevance; the claimed invention cannot be considered novel or cannot be considered to involve an inventive step when the document is taken alone "Y" document of particular relevance; the claimed invention cannot be considered to involve an inventive step when the document is combined with one or more other such documents, such combination being obvious to a person skilled in the art. "&" document member of the same patent family		
Date of the actual completion of the international search	Date of mailing of the international search report			
27 July 2011	10/10/2011			
Name and mailing address of the ISA/ European Patent Office, P.B. 5818 Patentlaan 2 NL - 2280 HV Rijswijk Tel. (+31-70) 340-2040, Fax: (+31-70) 340-3016	Authorized officer Brumme, Ion			

INTERNATIONAL SEARCH REPORT

International application No PCT/US2011/035107

C(Continuation). DOCUMENTS CONSIDERED TO BE RELEVANT

Category*	Citation of document, with indication, where appropriate, of the relevant passages	Relevant to claim No.
A	GB 2 429 934 A (LIN WEN-PIN [TW]) 14 March 2007 (2007-03-14) page 4, line 4 - page 5, line 23 page 9, line 2 - line 16 -----	1-7,29, 33-35
A	WO 00/56415 A1 (MACARTHUR ONSLOW ROHAN [AU]) 28 September 2000 (2000-09-28) the whole document -----	1-7,29, 33-35

INTERNATIONAL SEARCH REPORT

International application No.
PCT/US2011/035107

Box No. II Observations where certain claims were found unsearchable (Continuation of item 2 of first sheet)

This international search report has not been established in respect of certain claims under Article 17(2)(a) for the following reasons:

1. Claims Nos.:
because they relate to subject matter not required to be searched by this Authority, namely:

2. Claims Nos.:
because they relate to parts of the international application that do not comply with the prescribed requirements to such an extent that no meaningful international search can be carried out, specifically:

3. Claims Nos.:
because they are dependent claims and are not drafted in accordance with the second and third sentences of Rule 6.4(a).

Box No. III Observations where unity of invention is lacking (Continuation of item 3 of first sheet)

This International Searching Authority found multiple inventions in this international application, as follows:

see additional sheet

1. As all required additional search fees were timely paid by the applicant, this international search report covers all searchable claims.
2. As all searchable claims could be searched without effort justifying an additional fees, this Authority did not invite payment of additional fees.
3. As only some of the required additional search fees were timely paid by the applicant, this international search report covers only those claims for which fees were paid, specifically claims Nos.:
4. No required additional search fees were timely paid by the applicant. Consequently, this international search report is restricted to the invention first mentioned in the claims; it is covered by claims Nos.:

1-7, 29, 33-35

Remark on Protest

- The additional search fees were accompanied by the applicant's protest and, where applicable, the payment of a protest fee.
- The additional search fees were accompanied by the applicant's protest but the applicable protest fee was not paid within the time limit specified in the invitation.
- No protest accompanied the payment of additional search fees.

FURTHER INFORMATION CONTINUED FROM PCT/ISA/ 210

This International Searching Authority found multiple (groups of) inventions in this international application, as follows:

1. claims: 1-7, 29, 33-35

Define a component part connecting element and the method of constructing a plurality of post connectors and making a plurality of component parts.

2. claims: 1, 8, 9, 13, 19, 21-24, 27, 28, 30, 32

Define at least a post connector connecting element

3. claims: 1, 10-12, 14

Define means to provide stabilisation connection.

4. claims: 1, 15-18

Define a facemount of predetermined shape and size.

5. claims: 1, 20

Defines an attachment to the component part

6. claims: 1, 25, 26

Define means to restrict angular motion of the component part

7. claims: 1, 31

Defines an electronic circuit

8. claims: 34, 36

Defines a method of attaching a facemount to a component part.

INTERNATIONAL SEARCH REPORT

Information on patent family members

International application No PCT/US2011/035107

Patent document cited in search report	Publication date	Patent family member(s)	Publication date
US 2002086605	A1	04-07-2002	NONE
WO 2009103967	A1	27-08-2009	EP 2254675 A1 01-12-2010
			US 2010330867 A1 30-12-2010
			WO 2009103967 A1 27-08-2009
WO 03059481	A1	24-07-2003	AT 489150 T 15-12-2010
			AU 2002353155 A1 30-07-2003
			CN 1545430 A 10-11-2004
			DK 1463571 T3 07-02-2011
			EP 1463571 A1 06-10-2004
			ES 2357301 T3 25-04-2011
			HK 1072216 A1 05-09-2008
			IL 159934 A 15-05-2007
			JP 3869418 B2 17-01-2007
			JP 2005514185 A 19-05-2005
			MX PA04003827 A 08-07-2004
			WO 03059481 A1 24-07-2003
GB 2429934	A	14-03-2007	NONE
WO 0056415	A1	28-09-2000	NONE