



US00D795967S

(12) **United States Design Patent**  
**Haley et al.**

(10) **Patent No.:** **US D795,967 S**

(45) **Date of Patent:** **\*\* Aug. 29, 2017**

(54) **QUADCOPTER**

(71) Applicant: **HORIZON HOBBY, LLC,**  
Champaign, IL (US)

(72) Inventors: **James Haley,** Champaign, IL (US);  
**Mirco Pecorari,** Modena (IT)

(73) Assignee: **Horizon Hobby, LLC,** Champaign, IL  
(US)

(\*\*) Term: **15 Years**

(21) Appl. No.: **29/552,910**

(22) Filed: **Jan. 27, 2016**

(51) **LOC (10) Cl.** ..... **21-01**

(52) **U.S. Cl.**  
USPC ..... **D21/441; D12/16.1**

(58) **Field of Classification Search**  
USPC ..... D12/16.1, 319–324, 326–345; D21/436,  
D21/441, 443, 444, 446, 447, 448, 449,  
D21/450, 451, 452, 453  
CPC ..... B64C 1/062; B64C 39/024; B64C 27/08;  
B64C 29/00; B64C 39/00; B64C 23/00  
See application file for complete search history.

(56) **References Cited**

**U.S. PATENT DOCUMENTS**

D458,892	S	*	6/2002	DeTore	.....	D12/319
9,061,763	B1	*	6/2015	Christensen	.....	A63H 17/28
D760,638	S	*	7/2016	Beskar	.....	D12/344
D763,134	S	*	8/2016	Wang	.....	D12/16.1
D772,991	S	*	11/2016	Caubel	.....	D12/16.1

D779,595	S	*	2/2017	Xiao	.....	D12/16.1
2014/0117149	A1	*	5/2014	Zhou	.....	A63H 27/12 244/17.23
2015/0051755	A1	*	2/2015	Erhart	.....	A63H 27/12 701/2
2015/0321755	A1	*	11/2015	Martin	.....	B64C 27/50 244/17.23
2016/0001879	A1	*	1/2016	Johannesson	.....	B64C 27/50 416/142
2016/0290809	A1	*	10/2016	Eline	.....	B64C 39/024
2017/0075360	A1	*	3/2017	Von Novak	.....	G05D 1/042
2017/0084181	A1	*	3/2017	Wilson	.....	G08G 5/0069

\* cited by examiner

*Primary Examiner* — Robert M Spear

*Assistant Examiner* — Marissa J Cash

(74) *Attorney, Agent, or Firm* — Baker Botts L.L.P.

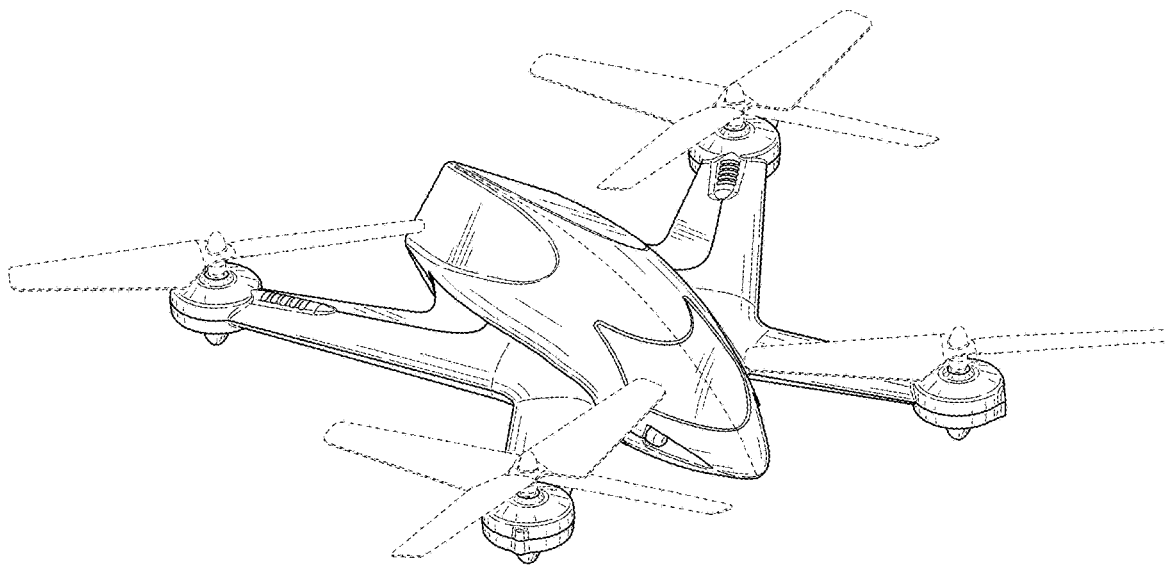
(57) **CLAIM**

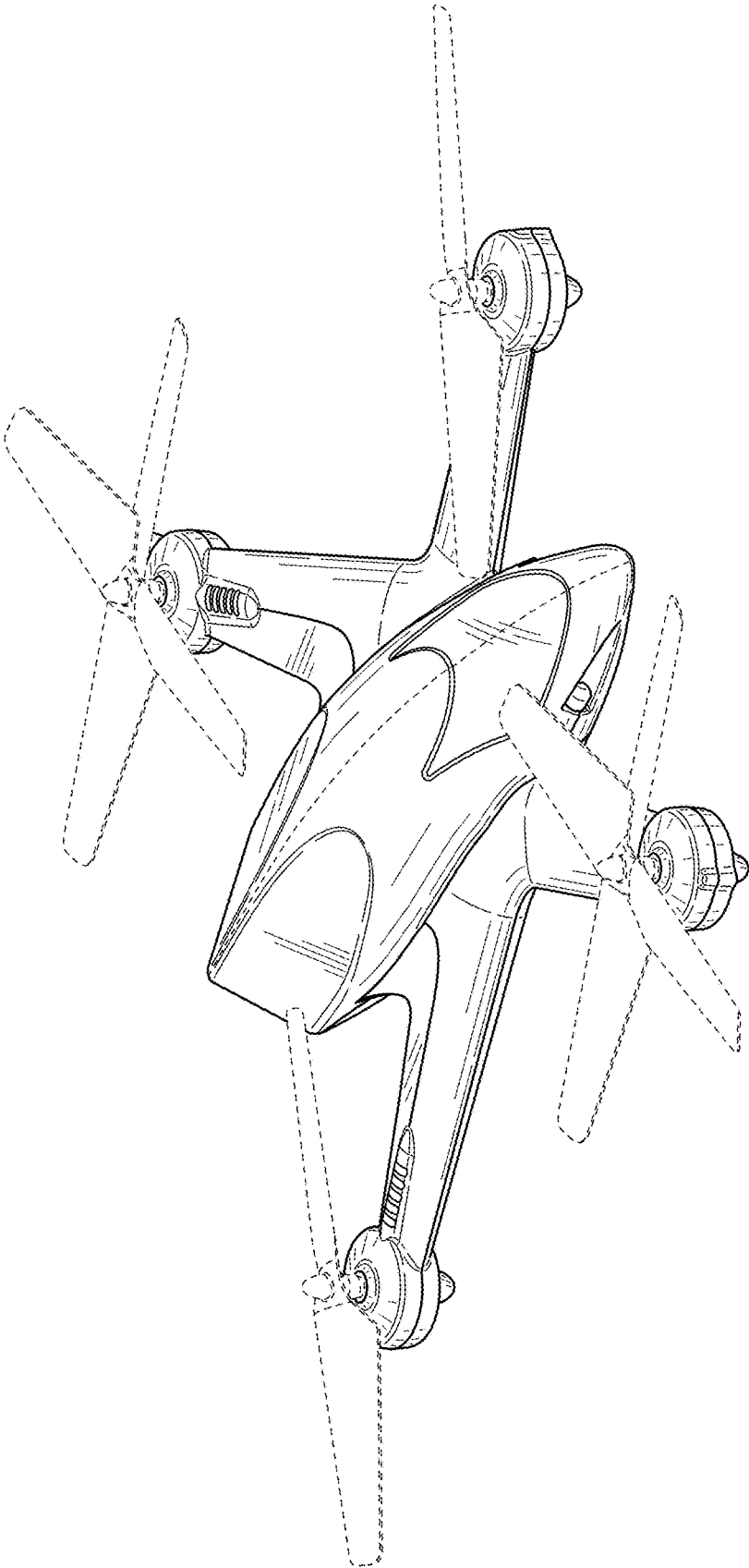
The ornamental design for a quadcopter, as shown and described.

**DESCRIPTION**

FIG. 1 is a top perspective view of a quadcopter, according to my new design;  
FIG. 2 is a front view thereof;  
FIG. 3 is a rear view thereof;  
FIG. 4 is a right side view thereof;  
FIG. 5 is a left side view thereof;  
FIG. 6 is a top view thereof;  
FIG. 7 is a bottom view thereof; and,  
FIG. 8 is a bottom perspective view of thereof.  
The broken lines illustrate portions of the quadcopter that form no part of the claimed design.

**1 Claim, 6 Drawing Sheets**





*FIG. 1*

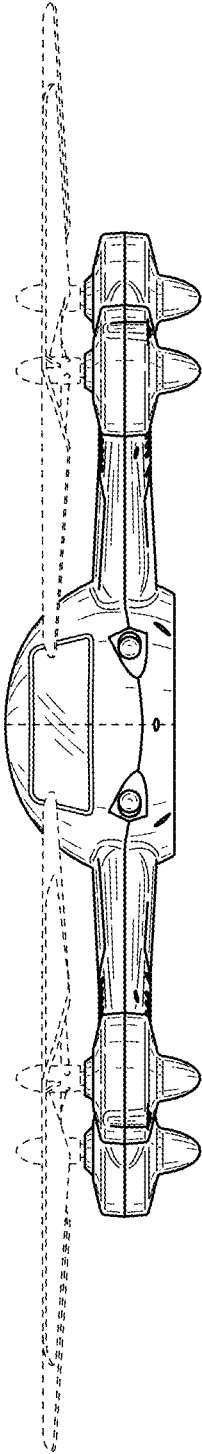


FIG. 2

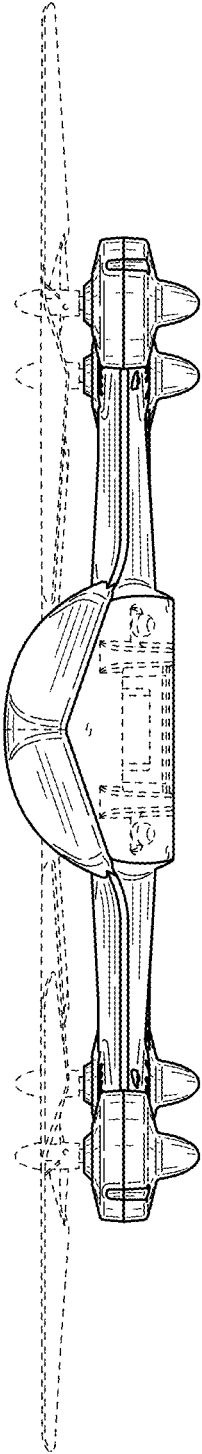


FIG. 3

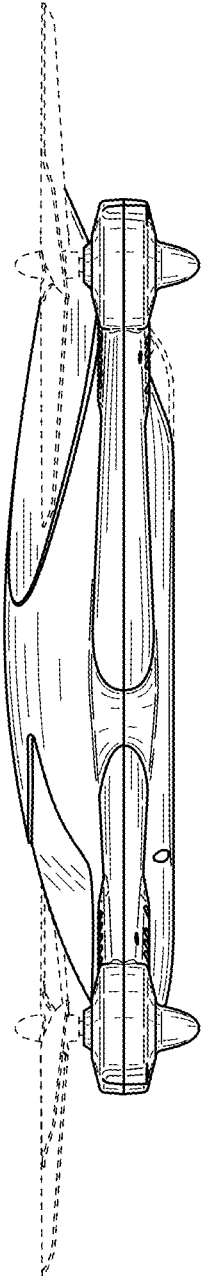


FIG. 4

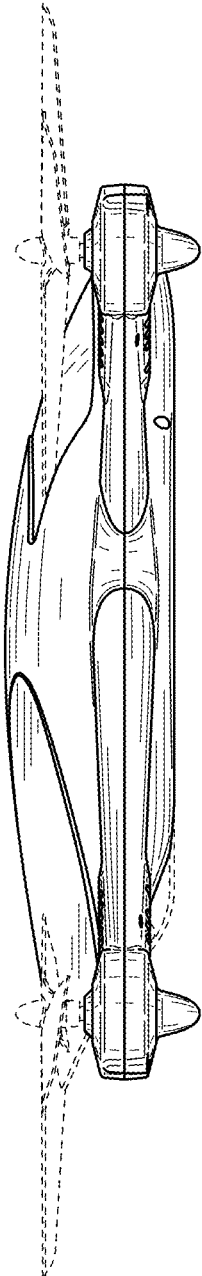


FIG. 5

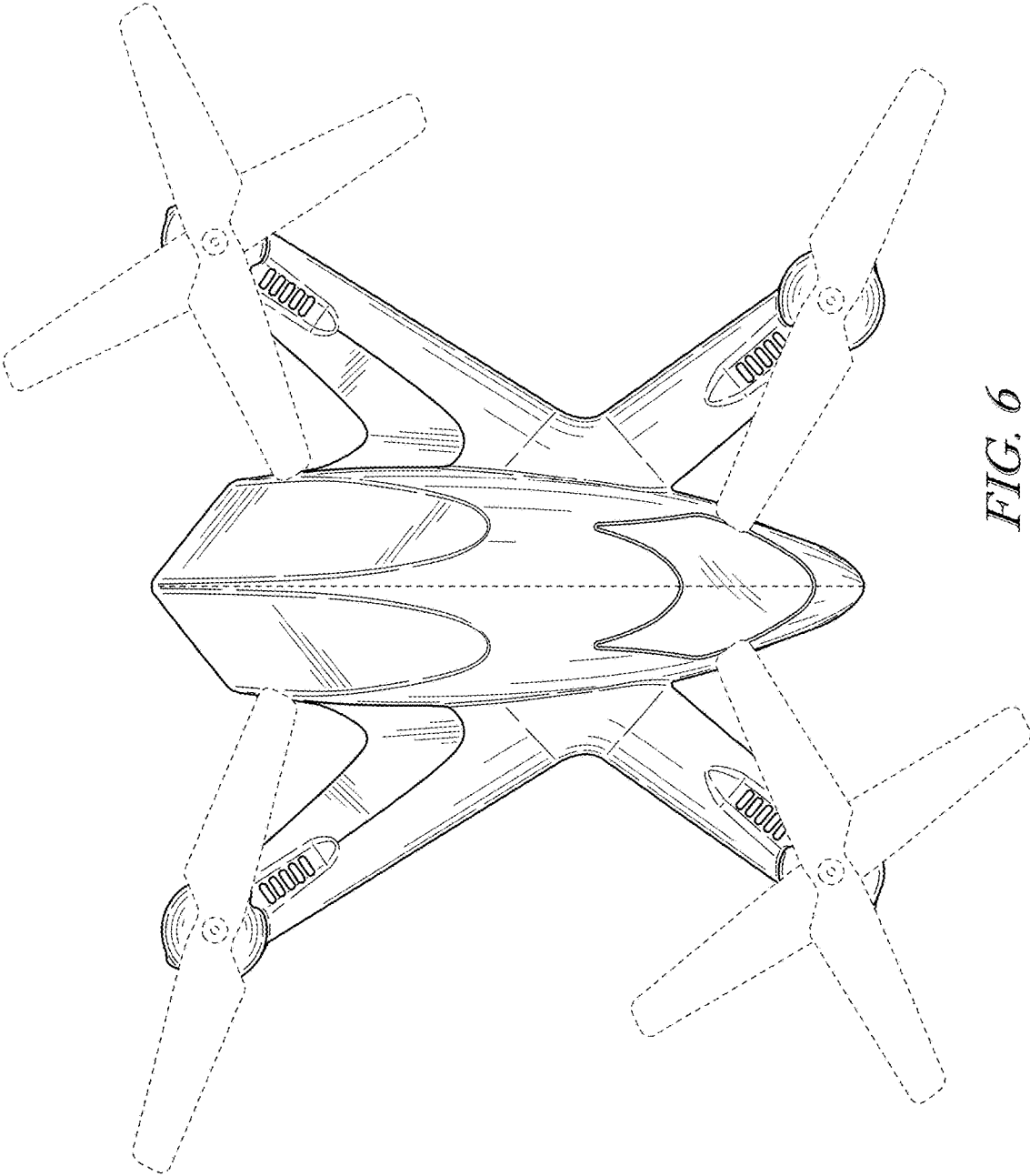
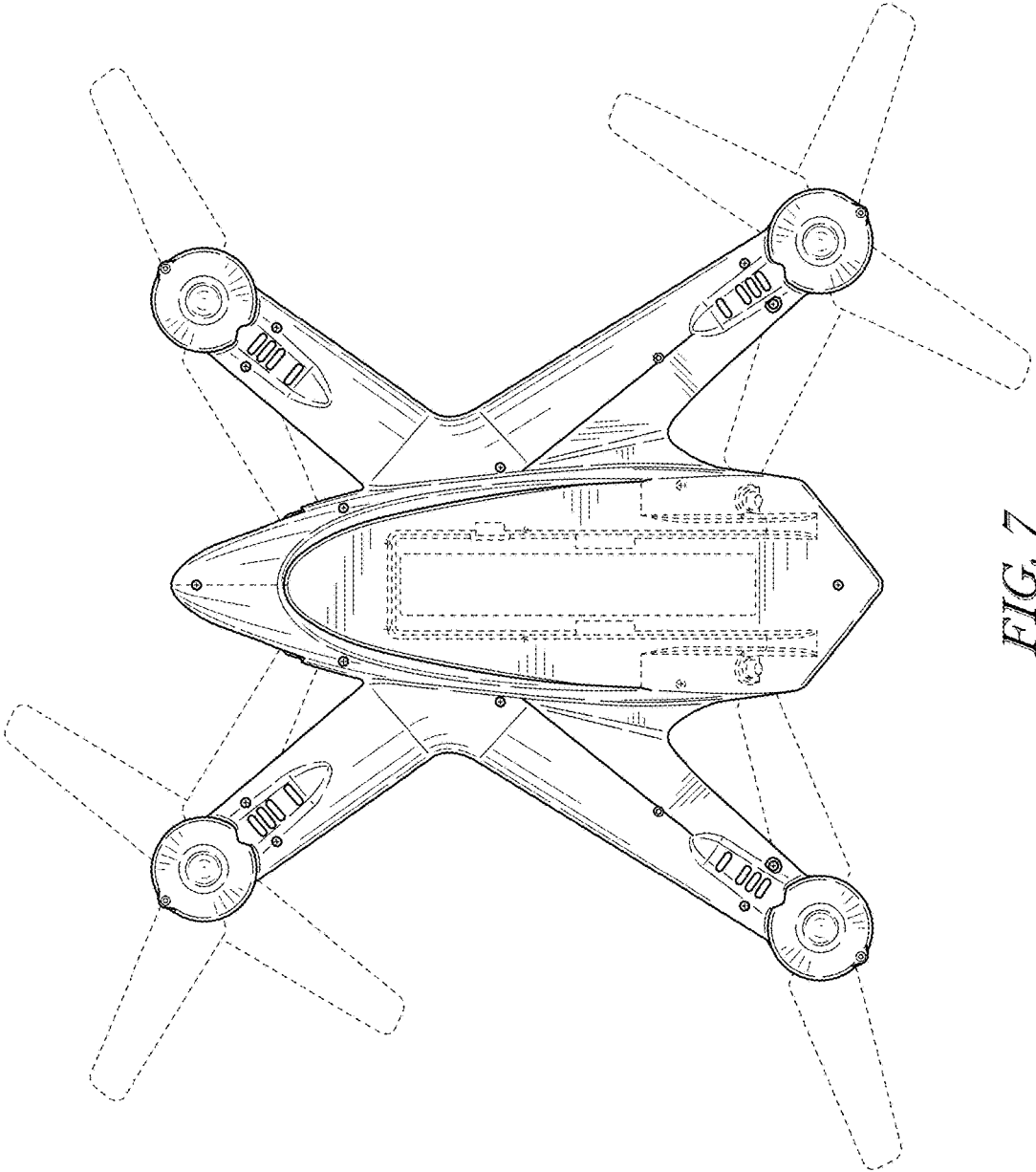


FIG. 6



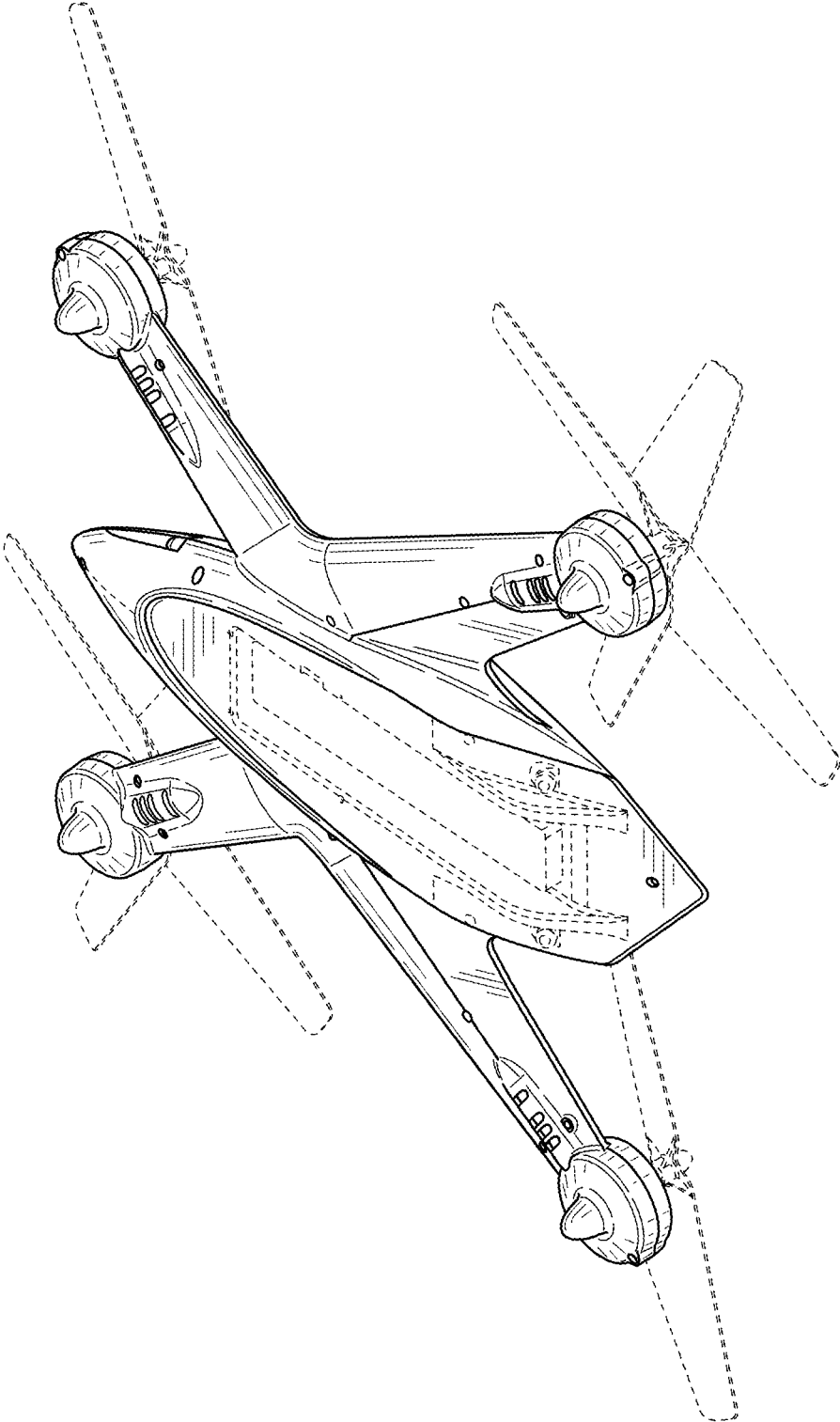


FIG. 8