



US00D629346S

(12) **United States Design Patent**
Szews

(10) **Patent No.:** **US D629,346 S**

(45) **Date of Patent:** **** Dec. 21, 2010**

(54) **WHEEL OR WHEEL COVER**

(75) Inventor: **Krzysztof Szews**, Munich (DE)

(73) Assignee: **Bayerische Motoren Werke Aktiengesellschaft**, Munich (DE)

(**) Term: **14 Years**

(21) Appl. No.: **29/361,066**

(22) Filed: **May 5, 2010**

(30) **Foreign Application Priority Data**

Nov. 6, 2009 (DE) 402009005430

(51) **LOC (9) Cl.** **12-16**

(52) **U.S. Cl.** **D12/211**

(58) **Field of Classification Search** D12/204–213;
301/37.101, 64.101, 65, 64.201
See application file for complete search history.

(56) **References Cited**

U.S. PATENT DOCUMENTS

D432,974 S	10/2000	Jablonski	
D453,134 S *	1/2002	Murkett et al.	D12/209
D486,769 S *	2/2004	Gallert	D12/209
D506,717 S *	6/2005	Gallert	D12/209
D524,220 S *	7/2006	Scheu	D12/211
D533,826 S *	12/2006	Scheu	D12/211
D542,207 S *	5/2007	Gauffres	D12/211
D542,728 S *	5/2007	Ichinose	D12/211
D567,167 S	4/2008	Forster	
D585,354 S	1/2009	Powell et al.	
D587,177 S *	2/2009	Scheu	D12/209
D590,314 S	4/2009	Hettler	
D594,397 S *	6/2009	Laengerer	D12/211
D594,802 S *	6/2009	Gustafsson	D12/211
D598,834 S	8/2009	Juergens et al.	

D608,713 S *	1/2010	Bucher et al.	D12/209
D609,623 S *	2/2010	Gallert	D12/209

FOREIGN PATENT DOCUMENTS

DE	M9707122.6	1/1998
EM	000735758-0004	7/2007
EM	000735758-0006	7/2007
EM	000863055-0001	3/2008
EM	000934468-0003	10/2009
EM	001636978-0018	11/2009
EM	001636978-0020	11/2009
EM	001684507-0001	3/2010
EM	001684507-0003	3/2010

* cited by examiner

Primary Examiner—Stacia Cadmus

(74) *Attorney, Agent, or Firm*—Crowell & Moring LLP

(57) **CLAIM**

The ornamental design for a wheel or wheel cover, as shown and described.

DESCRIPTION

This application contains subject matter related to the following co-pending U.S. design patent applications:

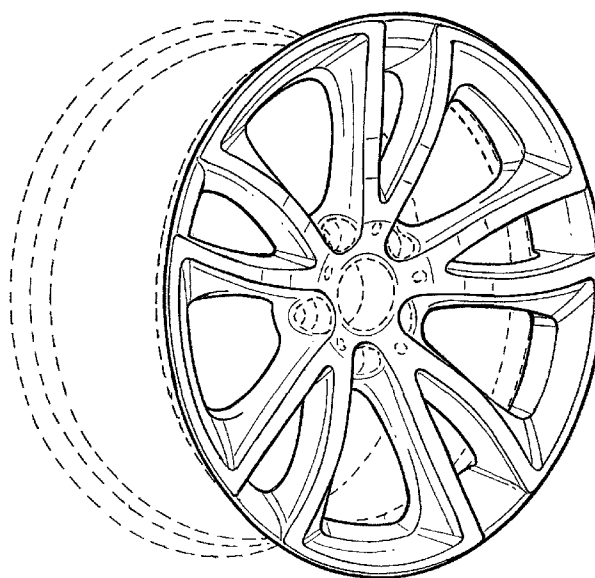
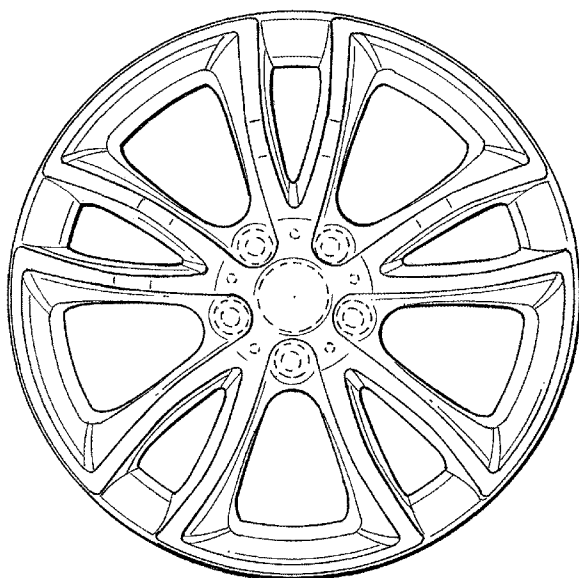
Application Ser. No. 29/347,270, filed Nov. 19, 2009; and, Application Ser. No. 29/347,272, filed Nov. 19, 2009.

FIG. 1 is a front view of a wheel or wheel cover according to my design; and,

FIG. 2 is a perspective view thereof.

The broken line showing of the rear of the rim and the bolt holes and center hole in the central hub area is included for the purpose of illustrating environment and forms no part of the claimed design.

1 Claim, 1 Drawing Sheet



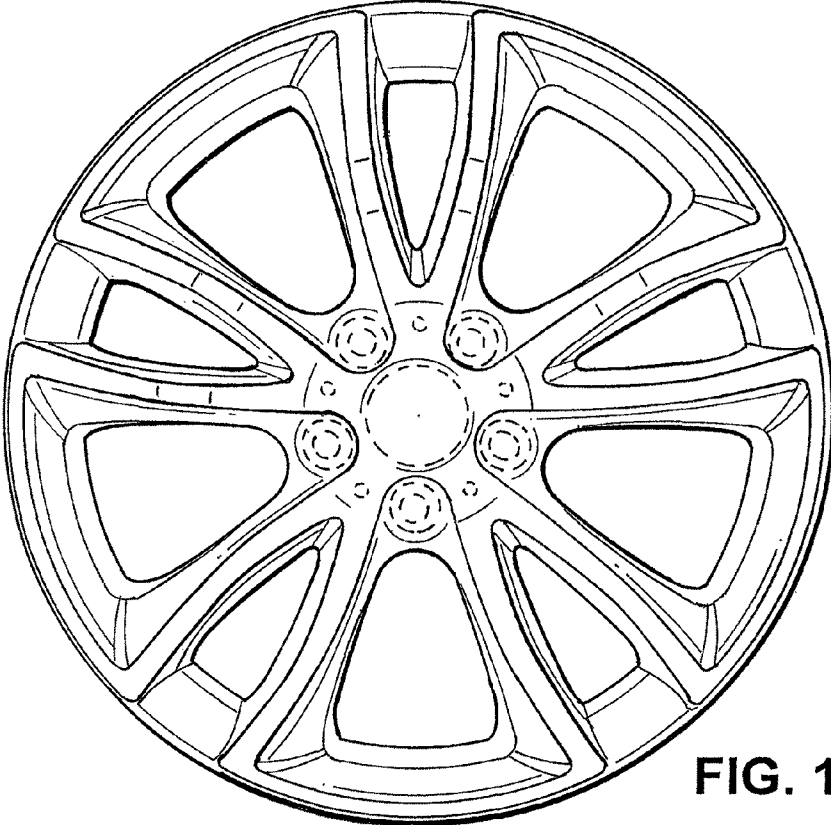


FIG. 1

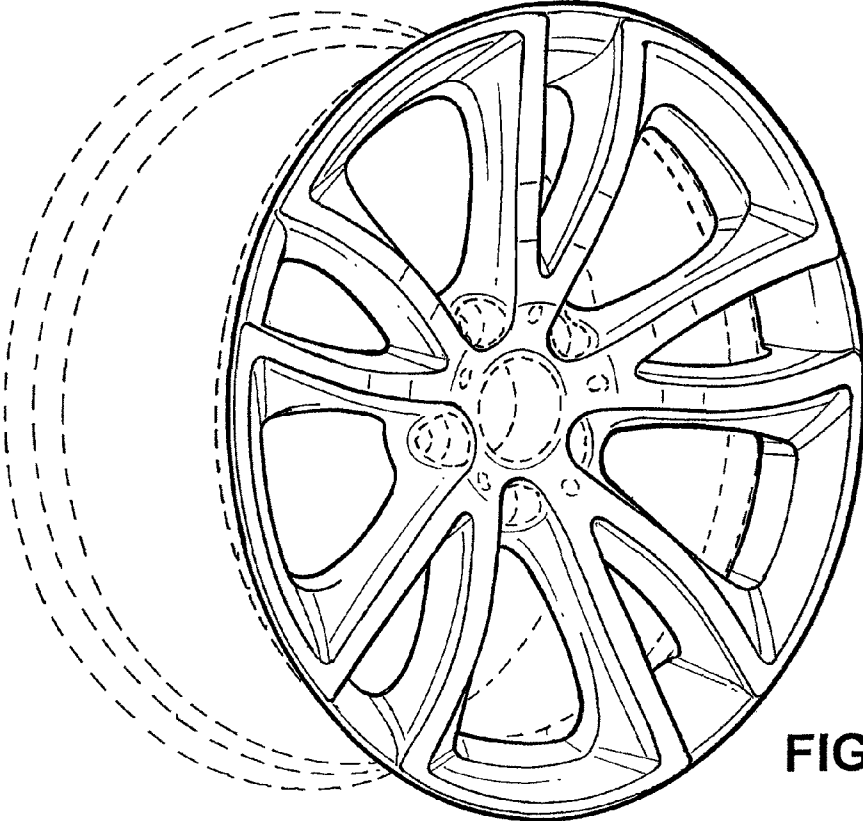


FIG. 2