



US00D987310S

(12) **United States Design Patent**  
**Li**

(10) **Patent No.:** **US D987,310 S**

(45) **Date of Patent:** **\*\* May 30, 2023**

(54) **CHAIR**

(71) Applicant: **39F USA INC**, Rancho Cucamonga, CA (US)

(72) Inventor: **Yuehai Li**, Rancho Cucamonga, CA (US)

(73) Assignee: **39F USA INC**, Rancho Cucamonga, CA (US)

(\*\*) Term: **15 Years**

(21) Appl. No.: **29/727,139**

(22) Filed: **Mar. 9, 2020**

(51) **LOC (14) Cl.** ..... **06-01**

(52) **U.S. Cl.**  
USPC ..... **D6/334; D6/380**

(58) **Field of Classification Search**  
USPC ..... D6/334, 335, 336, 364, 365, 366, 371,  
D6/372, 373, 374, 375, 379, 380, 382,  
D6/383, 384

CPC ..... A47C 3/12  
See application file for complete search history.

(56) **References Cited**

**U.S. PATENT DOCUMENTS**

D158,508 S *	5/1950	Saارين	.....	D6/374
D187,525 S *	3/1960	Threborn	.....	D6/334
D219,376 S *	12/1970	Pearson	.....	D6/364

D288,506 S *	3/1987	Ochsner	.....	D6/375
D664,381 S *	7/2012	Kubryk	.....	D6/366
D825,216 S *	8/2018	Schaeffer	.....	D6/375
D867,780 S *	11/2019	Krusin	.....	D6/374
D906,708 S *	1/2021	Li	.....	D6/366
D912,427 S *	3/2021	Li	.....	D6/373
D913,006 S *	3/2021	Li	.....	D6/375
D916,540 S *	4/2021	Konishi	.....	D6/366
D917,216 S *	4/2021	Kubryk	.....	D6/366
D919,993 S *	5/2021	Li	.....	D6/366
D920,695 S *	6/2021	Li	.....	D6/366
D924,585 S *	7/2021	Li	.....	D6/366
D931,633 S *	9/2021	Li	.....	D6/348
D931,639 S *	9/2021	Öjjerstam	.....	D6/366

\* cited by examiner

*Primary Examiner* — Deanna L Pratt

(74) *Attorney, Agent, or Firm* — Raymond Y. Chan;  
David and Raymond Patent Firm

(57) **CLAIM**

The ornamental design for a chair, as shown and described.

**DESCRIPTION**

FIG. 1 is a front perspective view of a chair showing my new design;

FIG. 2 is a front elevation view thereof;

FIG. 3 is a rear elevation view thereof;

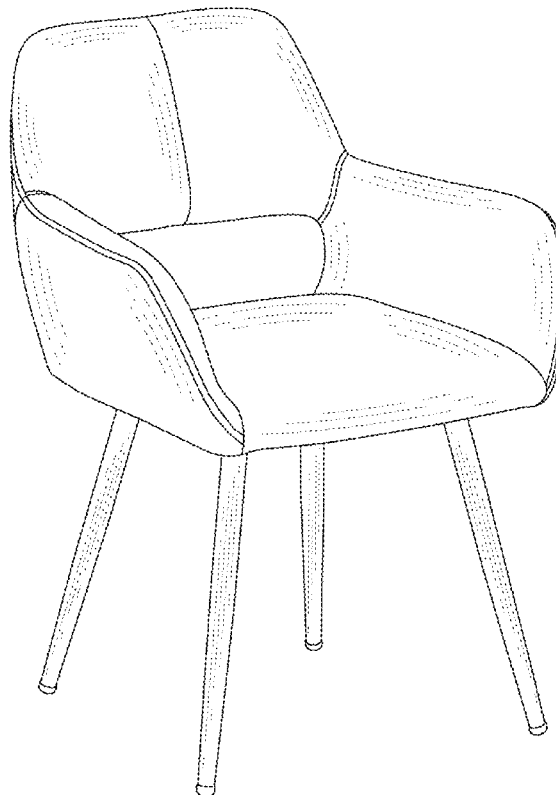
FIG. 4 is a left-side elevation view thereof;

FIG. 5 is a right-side elevation view thereof;

FIG. 6 is a top plan view thereof; and,

FIG. 7 is a rear plan view thereof.

**1 Claim, 7 Drawing Sheets**



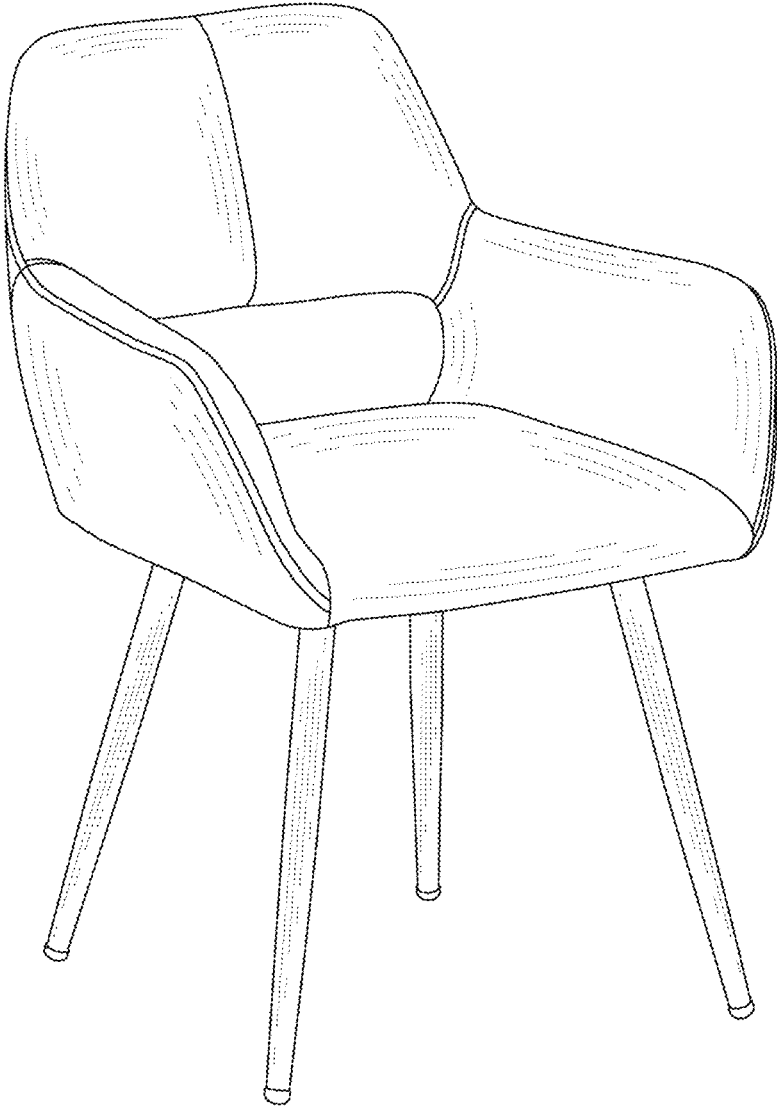


Fig.1

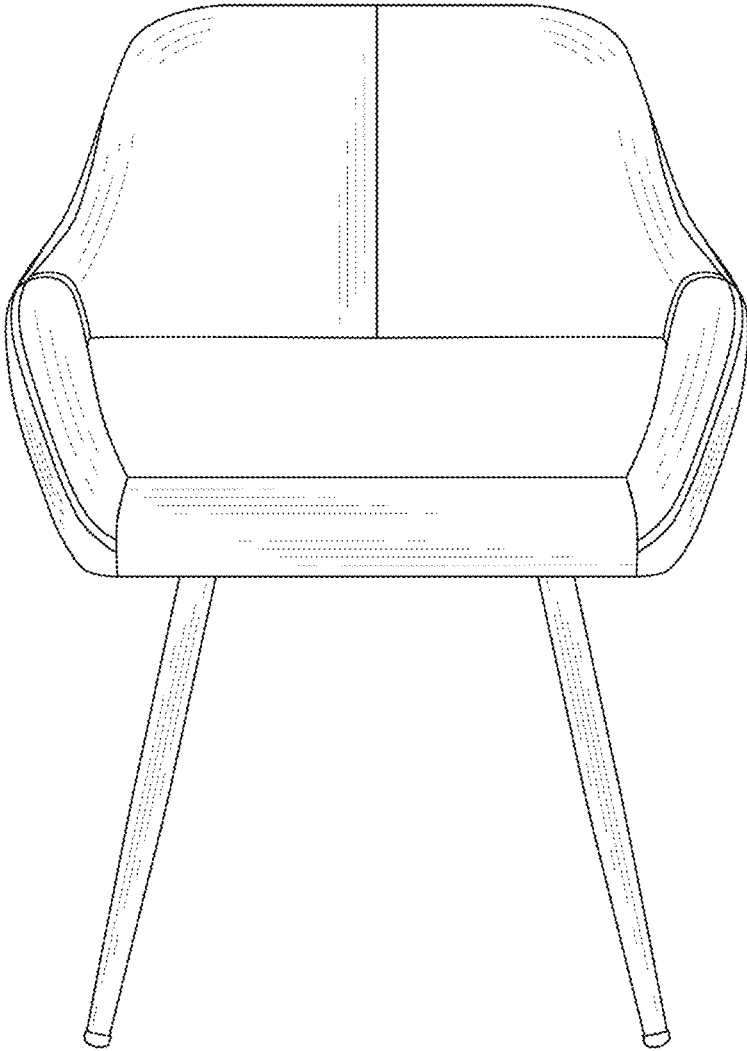


Fig.2

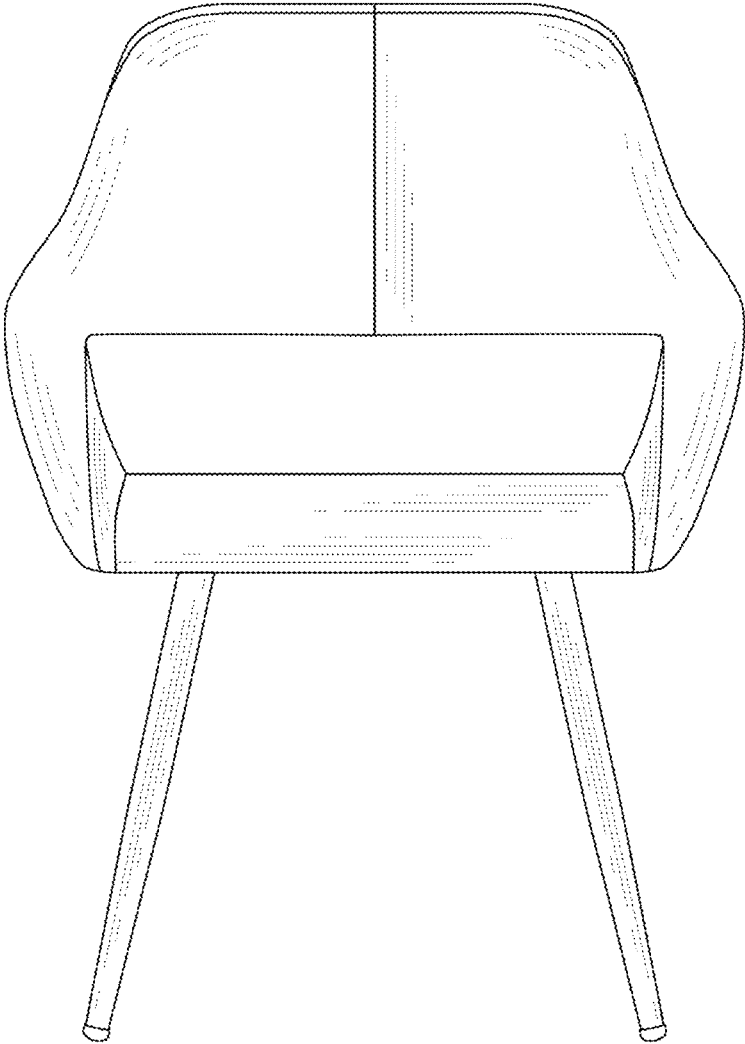


Fig.3

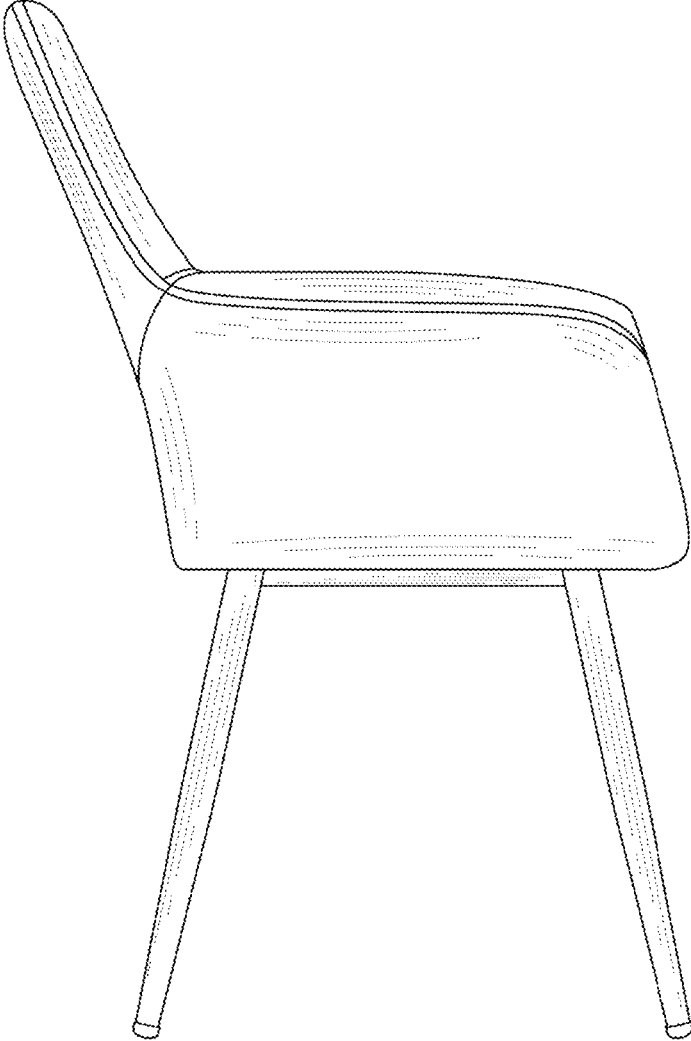


Fig.4

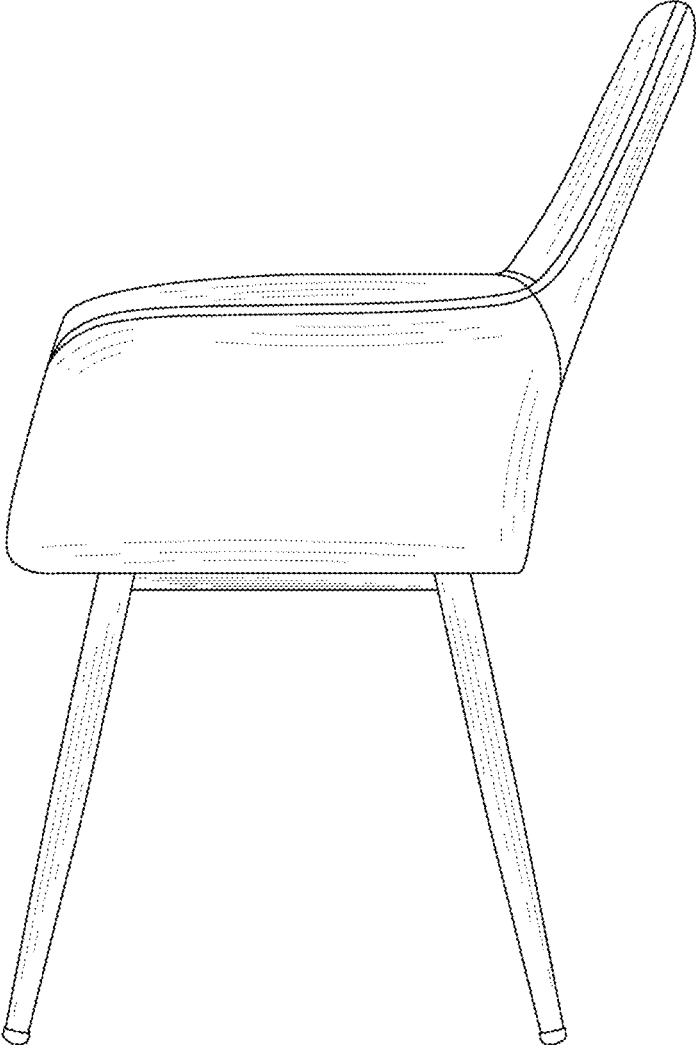


Fig.5

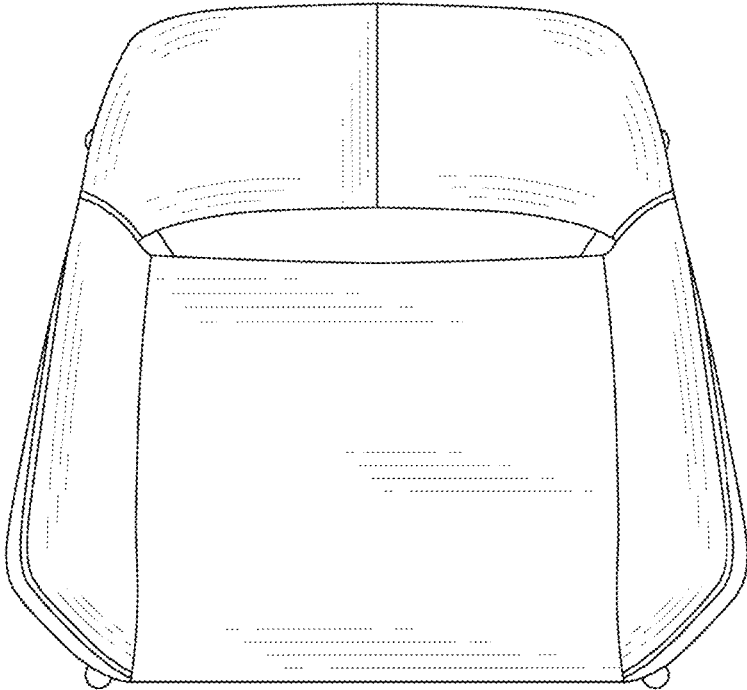


Fig.6

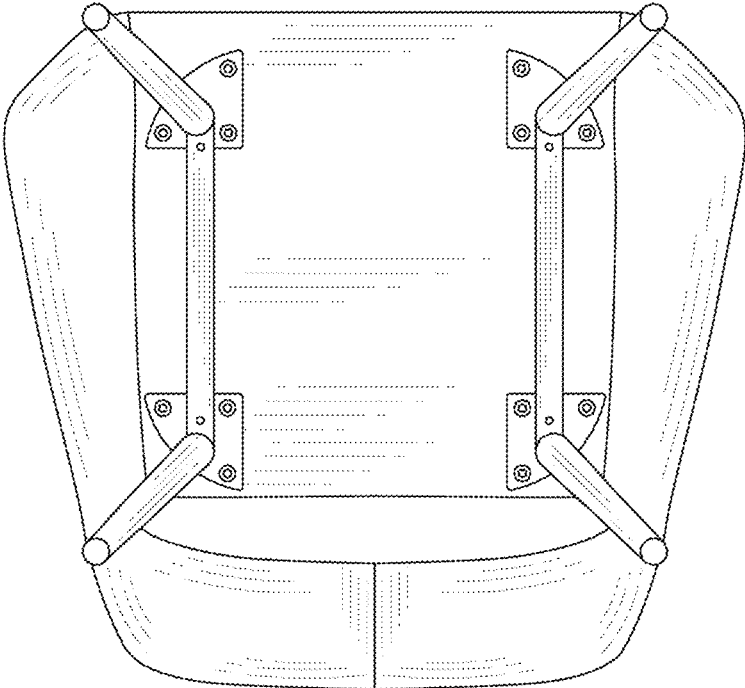


Fig.7