



US00D676683S

(12) **United States Design Patent**
Martin et al.

(10) **Patent No.:** **US D676,683 S**

(45) **Date of Patent:** **** Feb. 26, 2013**

- (54) **SEAT**
- (75) Inventors: **Kirt Martin**, Alto, MI (US); **Mark William Schoolmeester**, Grand Rapids, MI (US)
- (73) Assignee: **Steelcase Inc.**, Grand Rapids, MI (US)
- (**) Term: **14 Years**
- (21) Appl. No.: **29/390,324**
- (22) Filed: **Apr. 22, 2011**
- (51) **LOC (9) Cl.** **06-01**
- (52) **U.S. Cl.** **D6/381**
- (58) **Field of Classification Search** D6/334-338, D6/349, 355, 361, 368-370, 376, 379-381, D6/492, 500-502; 297/16.1, 42, 94, 135, 297/175, 232, 233, 350, 351, 445.1, 448.1, 297/448.2, 451.9; 5/12.1, 12.2
See application file for complete search history.

D367,364 S	2/1996	Lewis	
D368,177 S	3/1996	Mourgue	
D375,845 S	11/1996	Mourgue	
D378,028 S	2/1997	Schefcik	
D380,095 S	6/1997	Diaz-Azcuy	
D381,216 S	7/1997	Paus	
D382,123 S	8/1997	Pimental et al.	
D382,129 S *	8/1997	Lewis	D6/381
D392,470 S	3/1998	Smith	
D392,775 S	3/1998	McMahon	
D399,661 S	10/1998	Smith	
D410,800 S	6/1999	Gomez	
D423,808 S	5/2000	Natuzzi et al.	
D429,081 S	8/2000	Gomez	
D431,122 S *	9/2000	Koncar	D6/381
D432,807 S	10/2000	Gollinucci	
D439,431 S *	3/2001	Binder et al.	D6/381
D441,978 S *	5/2001	Hutton	D6/381
D446,039 S	8/2001	Gomez	

(Continued)

OTHER PUBLICATIONS

U.S. Appl. No. 29/390,323, filed Apr. 22, 2011.

(Continued)

Primary Examiner — Sandra Snapp
(74) *Attorney, Agent, or Firm* — Quarles & Brady LLP

(56) **References Cited**

U.S. PATENT DOCUMENTS

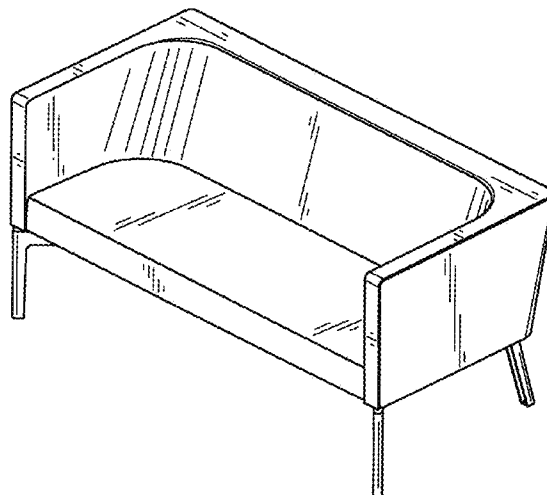
571,652 A	11/1896	Dodd	
D103,416 S *	3/1937	Tyrell	D6/381
3,438,676 A *	4/1969	Jeffrey	297/451.6
3,438,687 A	4/1969	Brosk	
3,575,465 A	4/1971	Dolby et al.	
D229,591 S *	12/1973	Trail	D6/370
D239,424 S	4/1976	Offredi	
D239,580 S *	4/1976	Robertson	D6/381
D244,069 S *	4/1977	Summer	D6/371
D245,950 S	10/1977	Mathur	
D247,595 S	3/1978	Corson et al.	
D252,487 S	7/1979	Petersville	
D263,770 S	4/1982	Melchior	
D283,855 S	5/1986	Kujawski	
D288,748 S	3/1987	Klein	
D303,327 S	9/1989	Masarotti	
D303,328 S *	9/1989	Syme et al.	D6/335
D321,435 S	11/1991	Scalisi et al.	
D337,450 S	7/1993	Dettinger	
D342,837 S	1/1994	Forcolini	
D360,310 S	7/1995	Stamberg et al.	

(57) **CLAIM**
The ornamental design for a seat, as shown and described.

DESCRIPTION

FIG. 1 is a right, top, front perspective view of a seat according to our new design, the bottom thereof being unseen in use; FIG. 2 is a top plan view thereof; FIG. 3 is a front elevational view thereof; FIG. 4 is a right side elevational view thereof, the left side elevational view thereof being a mirror image of the right side shown; and, FIG. 5 is a rear elevational view thereof. The nature of this product is seating furniture, for example a chair, lounge, couch and the like.

1 Claim, 3 Drawing Sheets



US D676,683 S

Page 2

U.S. PATENT DOCUMENTS

D446,961 S *	8/2001	Natuzzi et al.	D6/381	D546,570 S *	7/2007	Kreiss	D6/334
D448,946 S	10/2001	Goetz		D549,470 S	8/2007	Hutton	
D467,092 S	12/2002	Vu		D554,387 S	11/2007	Nicoletti	
D473,723 S	4/2003	Pesso		D560,919 S *	2/2008	Simons, Jr.	D6/381
D479,055 S *	9/2003	Nicoletti	D6/381	D584,524 S	1/2009	Ricci	
D480,883 S	10/2003	Williams et al.		D584,900 S	1/2009	Hackethal et al.	
D482,535 S	11/2003	Williams et al.		D602,706 S	10/2009	Cramer et al.	
D485,086 S	1/2004	Gomez		D615,308 S	5/2010	Serra Sola et al.	
D495,514 S	9/2004	Ricci		D616,663 S	6/2010	Natuzzi	
D495,518 S	9/2004	Ricci		D617,112 S	6/2010	Tsai	
D498,074 S	11/2004	Gomez					
D501,330 S	2/2005	Gomez					
D530,929 S	10/2006	Resterhouse et al.					
D538,054 S	3/2007	Lissoni					
D539,047 S	3/2007	Auberger					

OTHER PUBLICATIONS

U.S. Appl. No. 29/390,325, filed Apr. 22, 2011.
U.S. Appl. No. 29/390,326, filed Apr. 22, 2011.

* cited by examiner

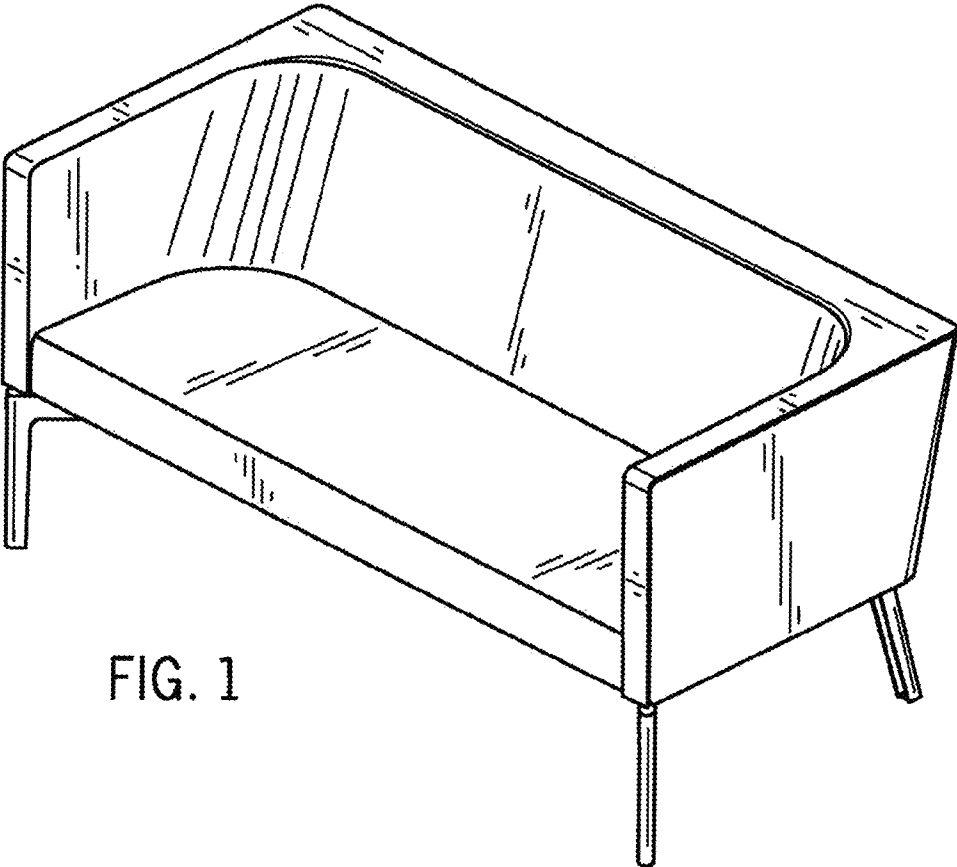


FIG. 1

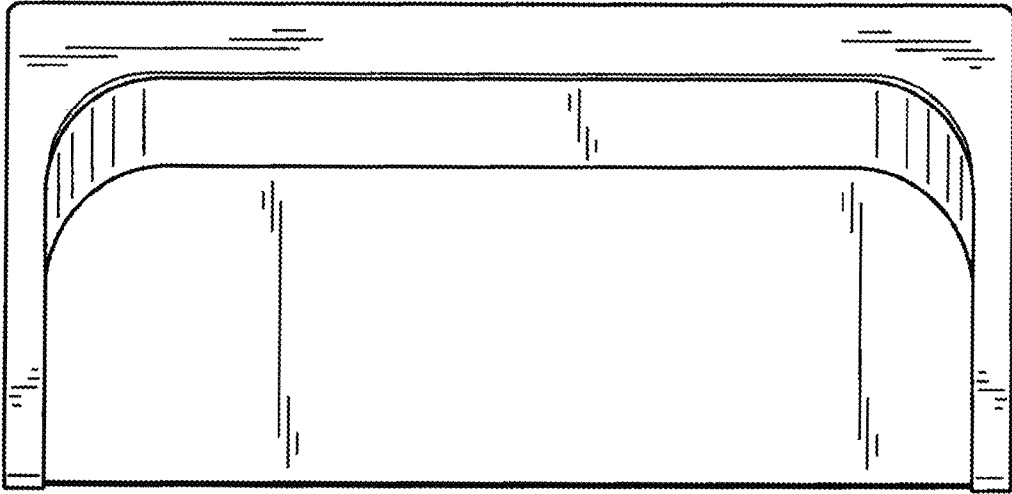


FIG. 2



FIG. 3

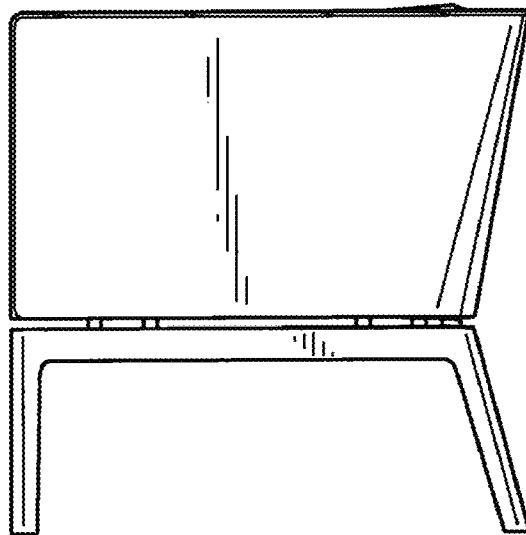


FIG. 4

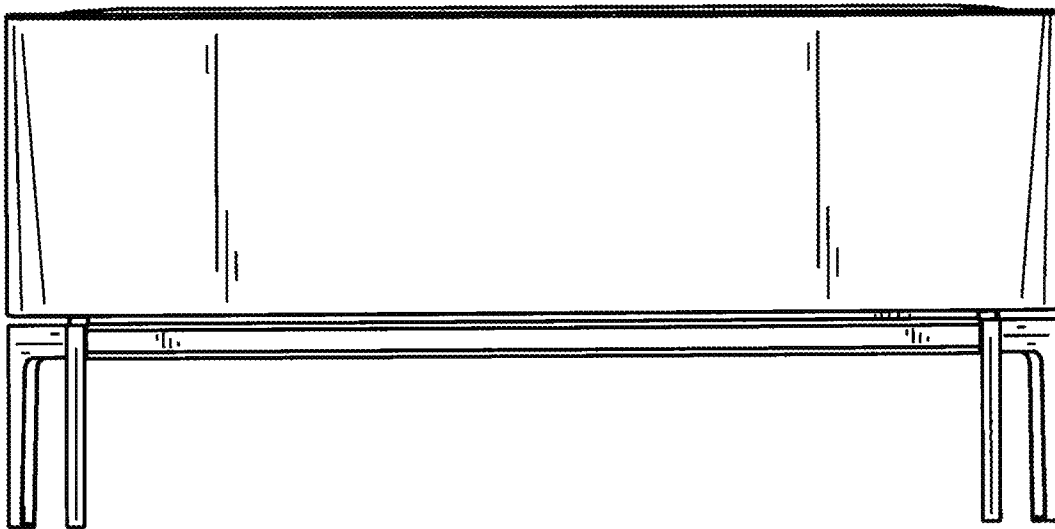


FIG. 5