



US00D540264S

(12) **United States Design Patent**
Zhang

(10) **Patent No.:** **US D540,264 S**

(45) **Date of Patent:** **** Apr. 10, 2007**

(54) **ELECTRICAL CONNECTOR**

(75) Inventor: **George Zhang**, Irvine, CA (US)

(73) Assignee: **Hon Hai Precision Ind. Co., Ltd.**,
Taipei Hsien (TW)

(**) Term: **14 Years**

(21) Appl. No.: **29/262,710**

(22) Filed: **Jul. 10, 2006**

(51) **LOC (8) Cl.** **13-03**

(52) **U.S. Cl.** **D13/147**

(58) **Field of Classification Search** D13/133,
D13/146-147, 149, 154, 184; D14/432-436,
D14/438; 439/64, 79, 159-160, 260, 325,
439/329, 395, 492, 495, 607-610, 630
See application file for complete search history.

(56) **References Cited**

U.S. PATENT DOCUMENTS

D371,542 S * 7/1996 Takayasu D13/147
6,083,046 A * 7/2000 Wu et al. 439/607

D500,739 S * 1/2005 Nishida et al. D13/147
D518,782 S * 4/2006 Su D13/147
D519,461 S * 4/2006 Su D13/147
D530,675 S * 10/2006 Lee et al. D13/147
2004/0058577 A1 * 3/2004 Ku 439/328

* cited by examiner

Primary Examiner—Daniel Bui

(74) *Attorney, Agent, or Firm*—Wei Te Chung

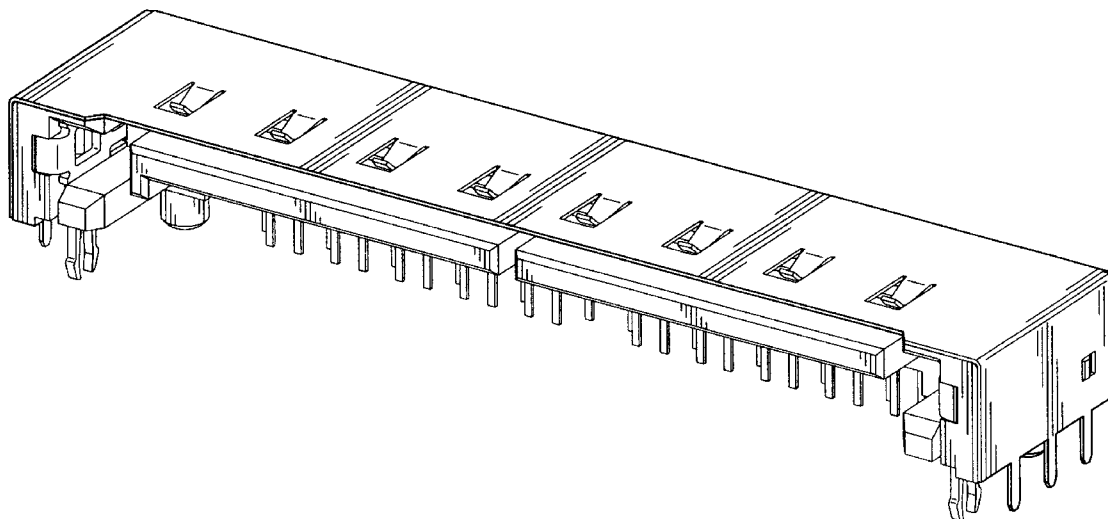
(57) **CLAIM**

The ornamental design for an electrical connector, as shown.

DESCRIPTION

FIG. 1 is a front, top and right side perspective view of an electrical connector showing my new design; FIG. 2 is a front elevational view thereof; FIG. 3 is a rear elevational view thereof; FIG. 4 is a left side elevational view thereof; FIG. 5 is a right side elevational view thereof; FIG. 6 is a top plan view thereof; and, FIG. 7 is a bottom plan view thereof.

1 Claim, 6 Drawing Sheets



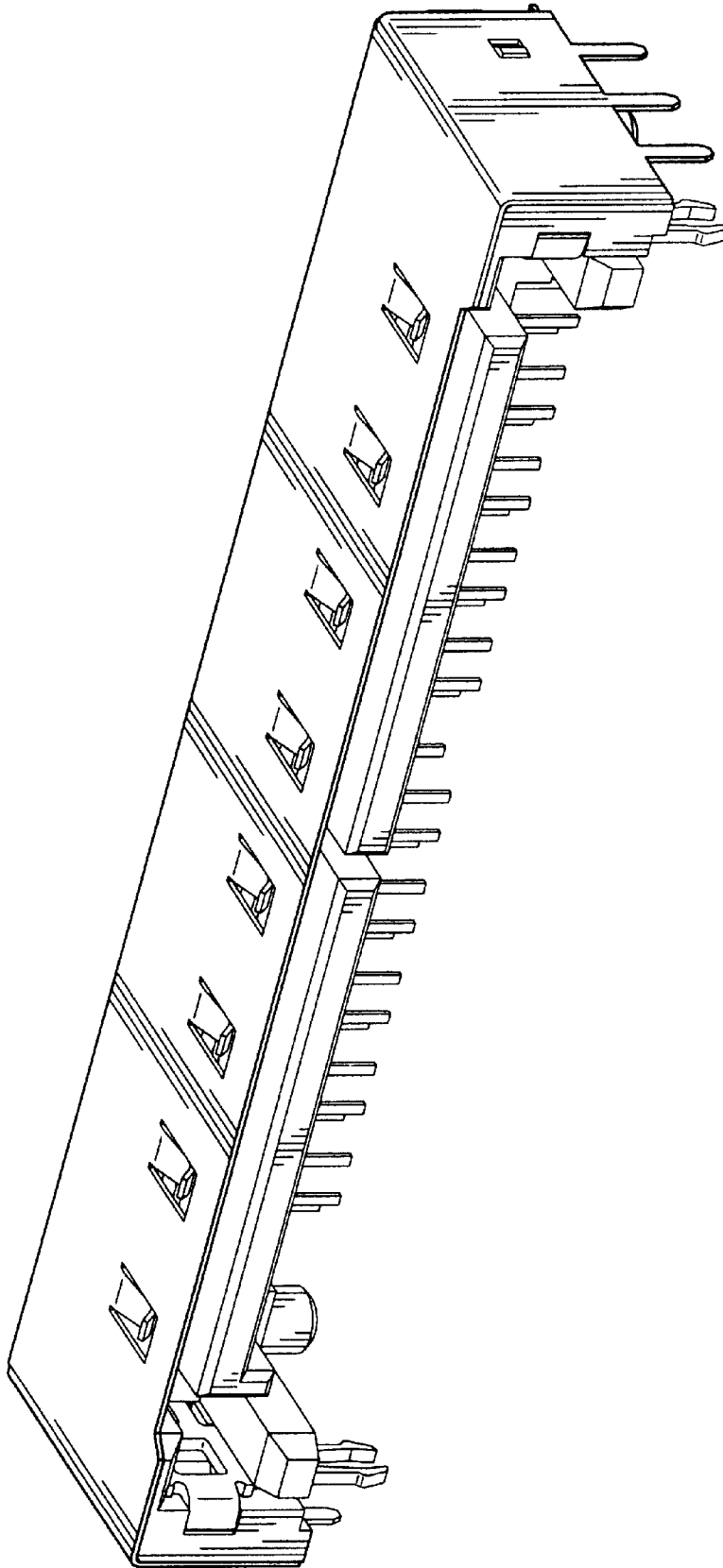


FIG. 1

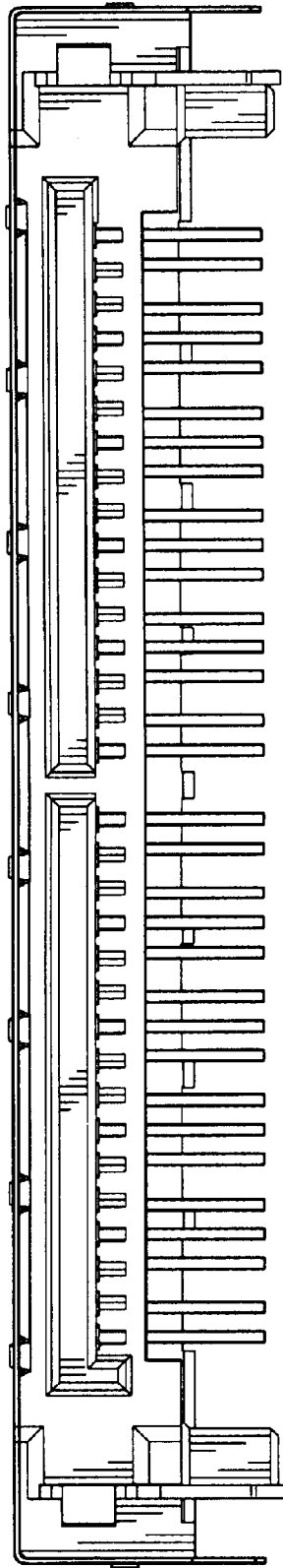


FIG. 2

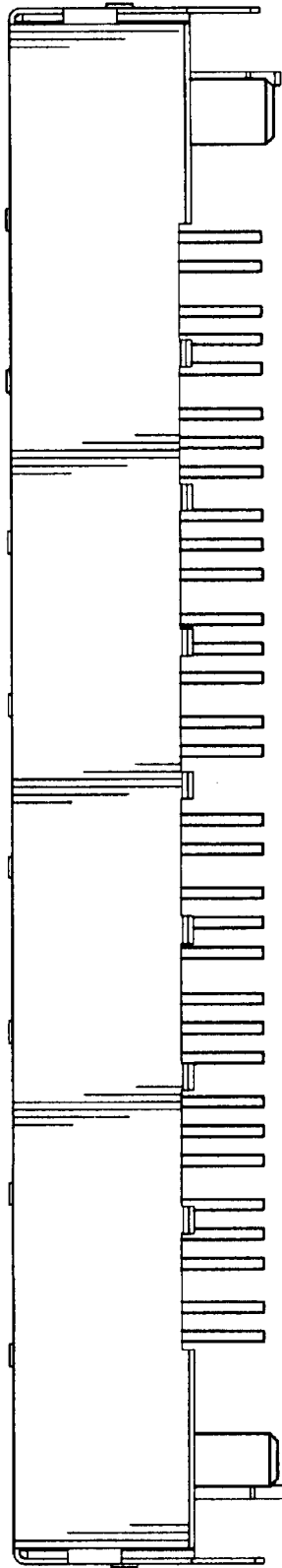


FIG. 3

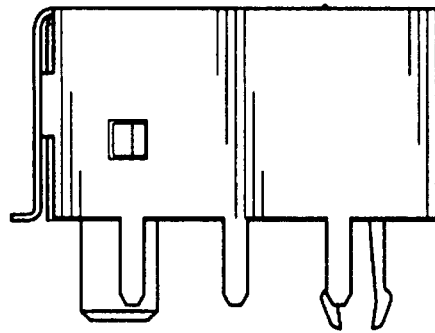


FIG. 4

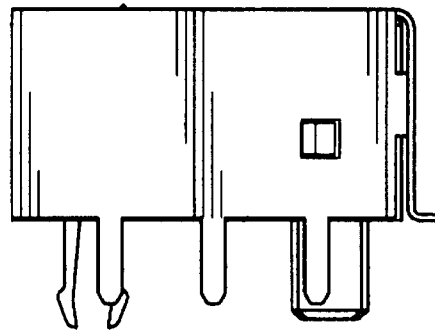


FIG. 5

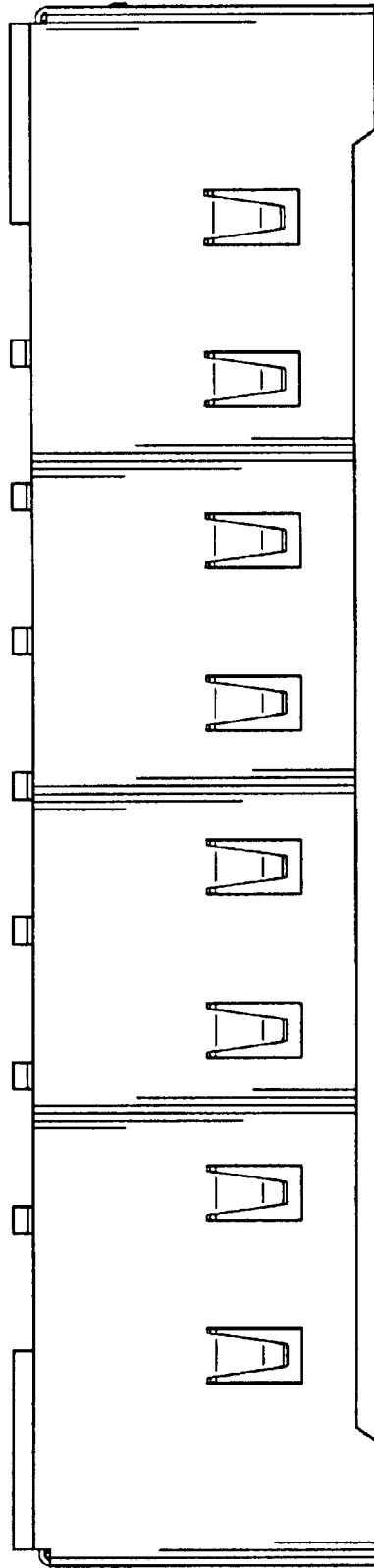


FIG. 6

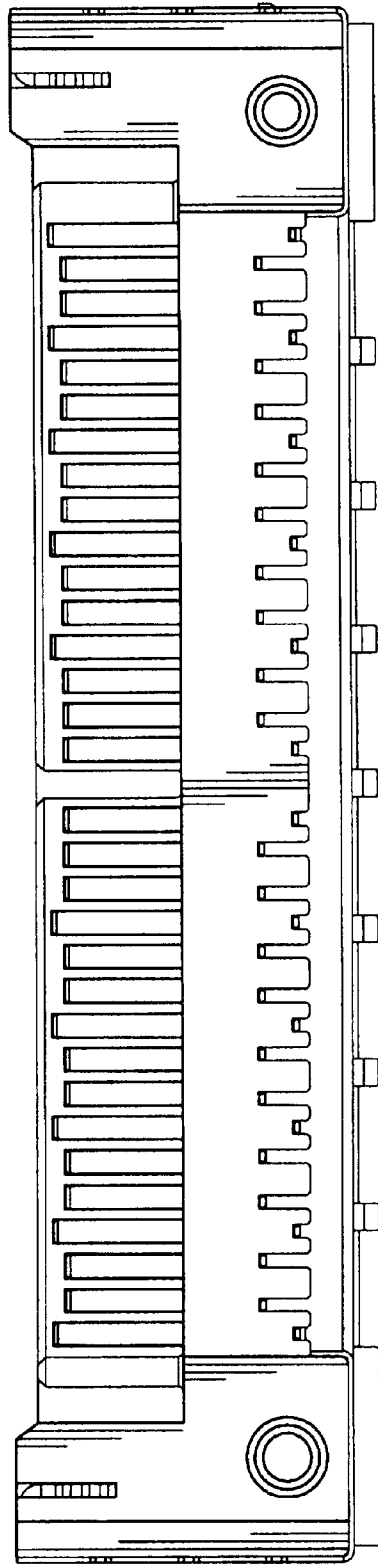


FIG. 7