



US00D973668S

(12) **United States Design Patent**
Nogueira et al.

(10) **Patent No.:** **US D973,668 S**

(45) **Date of Patent:** **** Dec. 27, 2022**

(54) **DEVICE HOLDER**

(71) Applicant: **Bose Corporation**, Framingham, MA
(US)

(72) Inventors: **DonPaul Nogueira**, Southborough, MA
(US); **Fardad Faridi**, Marlborough,
MA (US)

(73) Assignee: **Bose Corporation**, Framingham, MA
(US)

(**) Term: **15 Years**

(21) Appl. No.: **29/705,641**

(22) Filed: **Sep. 13, 2019**

(51) **LOC (13) Cl.** **14-03**

(52) **U.S. Cl.**
USPC **D14/447**

(58) **Field of Classification Search**
USPC D14/447, 432, 434, 439, 440, 451, 452,
D14/457, 239, 253; D8/363, 373, 380;
D6/406.3, 406.4, 406.5, 406.6
CPC A47B 21/04; A47B 2097/006; A47B
2097/005; A47B 2023/049; A45C
2011/002; A45C 2011/003; F16M
2200/00; F16M 13/00
See application file for complete search history.

(56) **References Cited**

U.S. PATENT DOCUMENTS

D557,495 S * 12/2007 Chan D3/218
D621,406 S * 8/2010 Hoehn D14/447

D722,603 S * 2/2015 Lay D14/447
D725,660 S * 3/2015 Trotsky D14/447
D768,639 S * 10/2016 Sumii D14/447
D769,234 S * 10/2016 Rami D14/253
D801,344 S * 10/2017 Zurschmiede D14/447
D832,276 S * 10/2018 Miles D14/451
D846,554 S * 4/2019 Burmester D14/447
D849,753 S * 5/2019 Divine, Jr. D14/447
D888,064 S * 6/2020 Ahn D14/447
D888,065 S * 6/2020 Ahn D14/447
D889,475 S * 7/2020 Yamamoto D14/447

* cited by examiner

Primary Examiner — Angela J Lee

(74) *Attorney, Agent, or Firm* — Bose Corporation

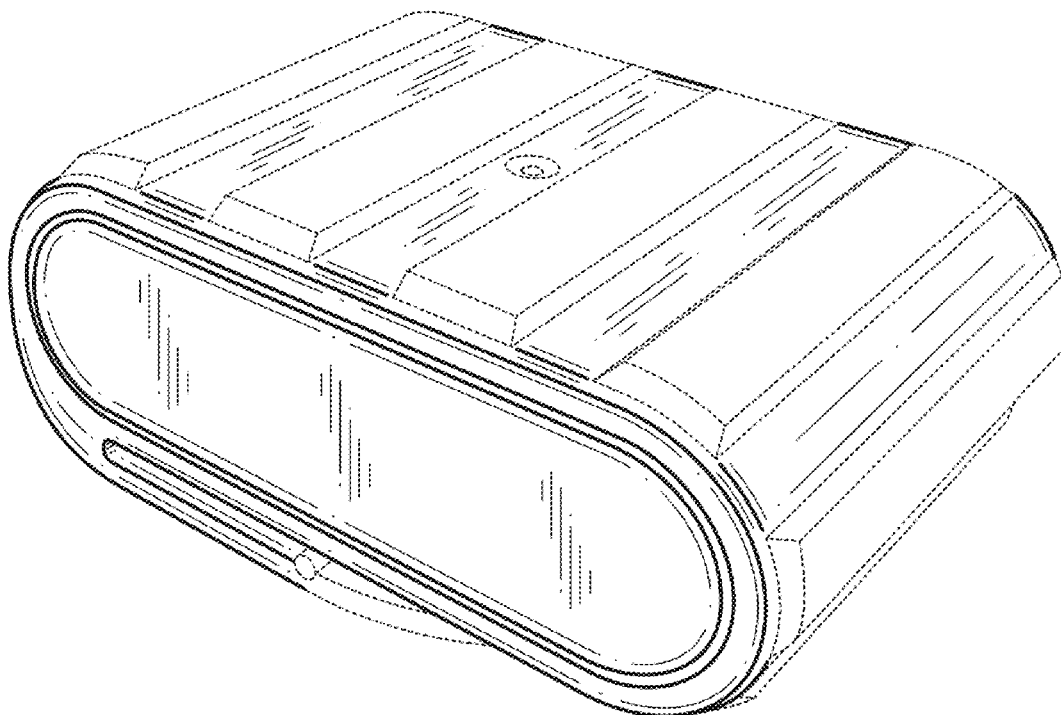
(57) **CLAIM**

The ornamental design for device holder, substantially as shown and described.

DESCRIPTION

FIG. 1 is a perspective view of a device holder as seen from the front, top, and right side;
FIG. 2 is a top view thereof;
FIG. 3 is a front view thereof;
FIG. 4 is a back view thereof;
FIG. 5 is a bottom view thereof;
FIG. 6 is a right side view thereof; and,
FIG. 7 is a left side view thereof.
The dotted line portions of the drawings represent environmental structure only and do not form part of the claimed design.

1 Claim, 4 Drawing Sheets



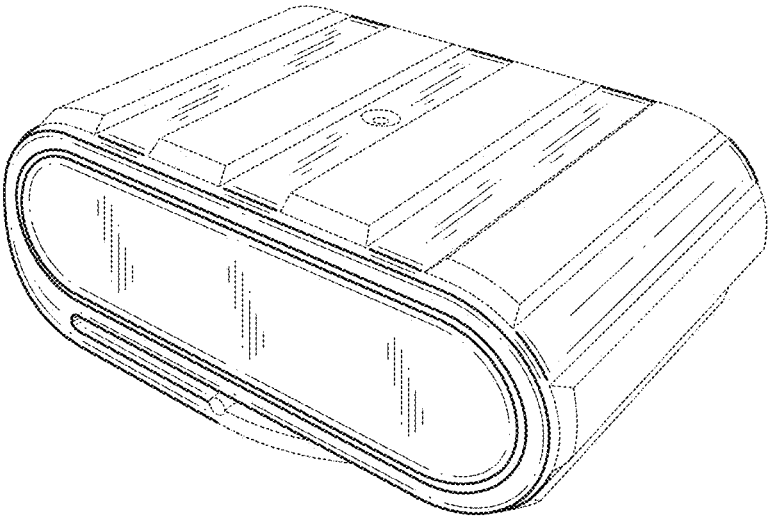


FIG. 1

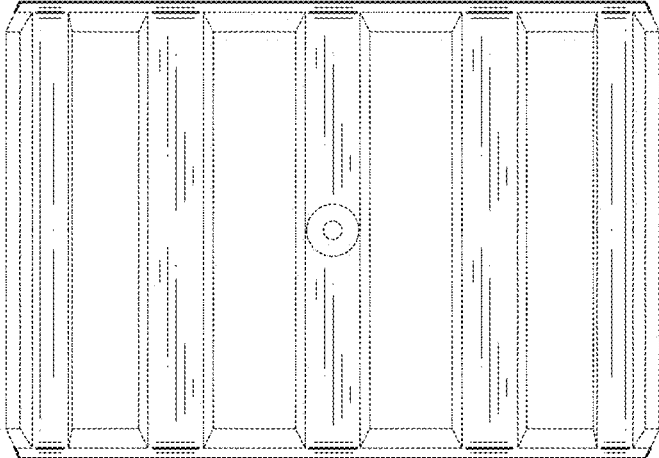


FIG. 2

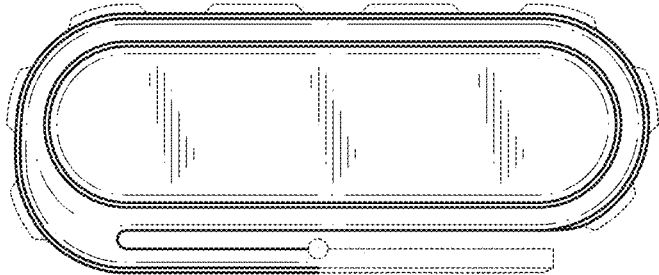


FIG. 3

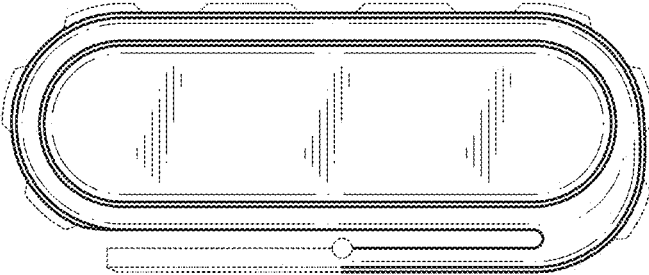


FIG. 4

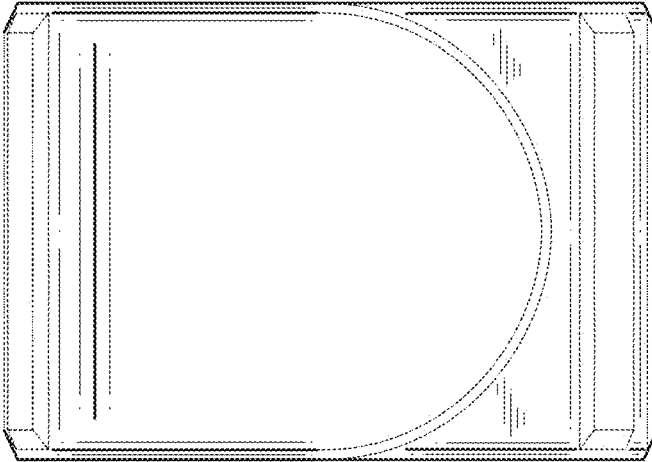


FIG. 5

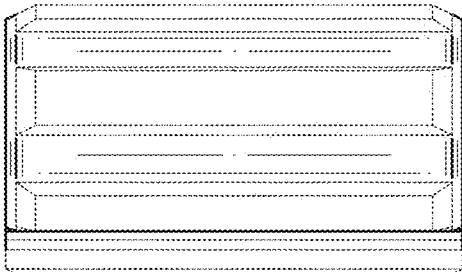


FIG. 6



FIG. 7