

2) UK Patent Application (19) GB (11) 2 136 675 A

(43) Application published 26 Sep 1984

(1) Application No **8307875**

(2) Date of filing **22 Mar 1983**

(71) Applicant
Frank Lord,
703 Burnley Road, Crawshawbooth, Rossendale,
Lancashire

(72) Inventor
Frank Lord

(74) Agent and/or Address for service
Apleyard Lees & Co.,
15 Clare Road, Halifax, West Yorkshire HX1 2HY

(51) INT CL³
A41D 13/00 A41B 9/12 A41D 1/06

(52) Domestic classification
A3V 1A4A2 1A4A3 1B3A2 60 6E1

(56) Documents cited

EP 0047230	GB 1023973
EP 0005554	GB 0844054
GB 1604558	GB 0774712
GB 1171166	GB 0554397
GB 1130939	

(58) Field of search
A3V

54) **Protective sports clothing**

57) Under shorts 1 for cricketers are provided with a first pouch 3 for receiving a cricket box, and second and third pouches 4, 5 each for receiving a cushioned pad. For a right-handed batsman, the pad in the pouch 4 protects the inside top of the right leg, and the pad in the pouch 5 protects the outside top and hip portion of the left leg. The pouches may be configured and positioned differently for use other than by batsmen or cricketers.

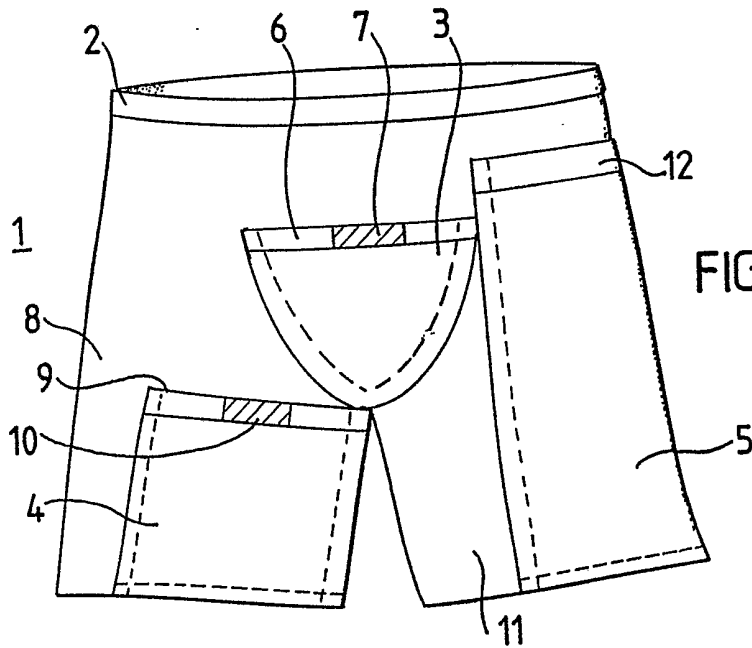
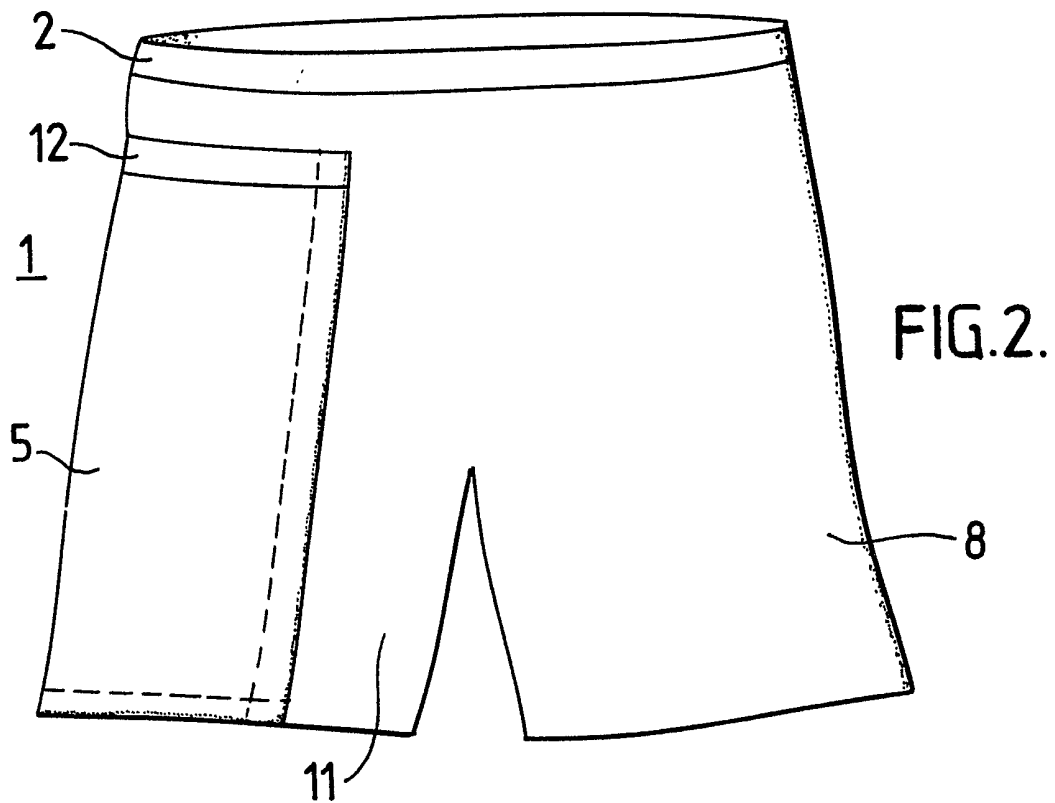
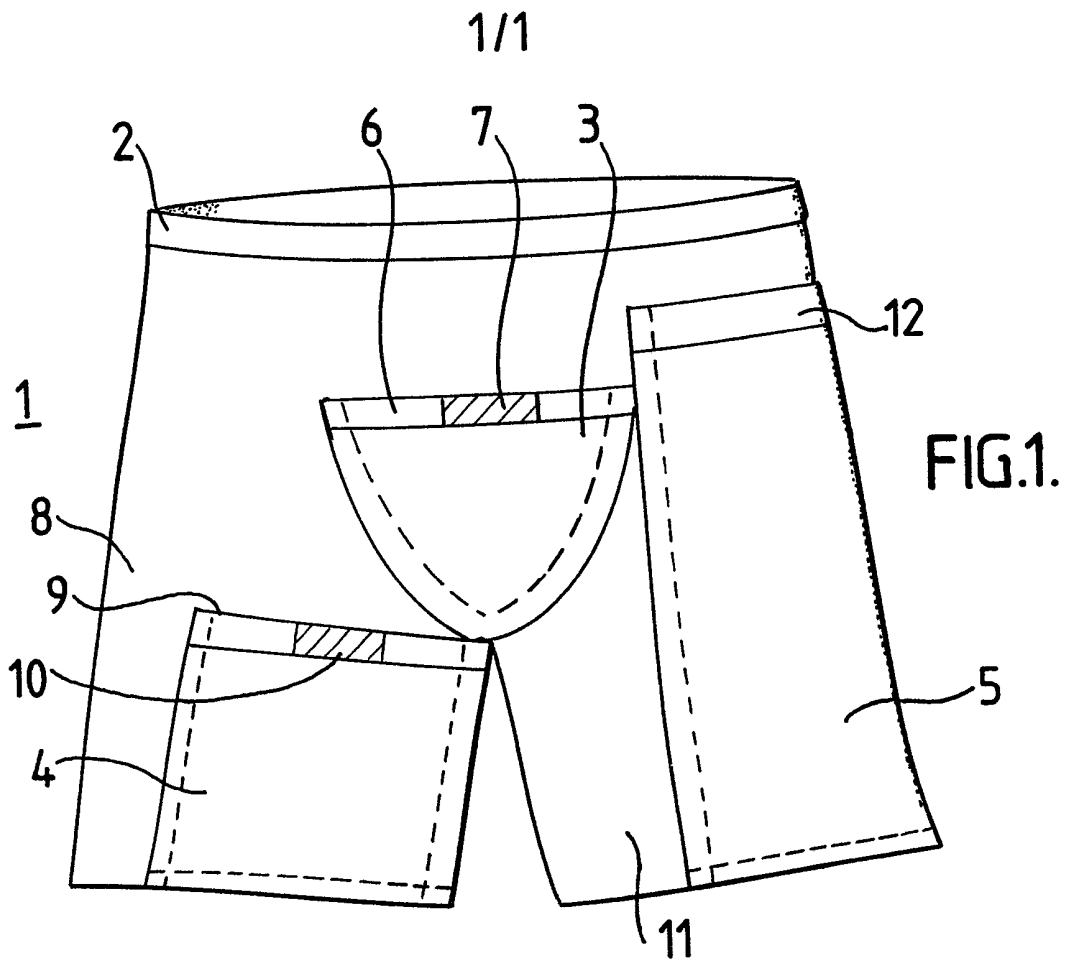


FIG. 1.

GB 2 136 675 A



SPECIFICATION

Protective sports clothing

This invention relates to protective sports clothing, and is concerned particularly although not exclusively with protective sports clothing for cricketers.

Although cricket can be quite a dangerous sport for the players, there has traditionally been little in the way of protective clothing for the players. The batsmen and the wicket keeper are, of course, provided with cricket pads. However, these still tend to leave certain areas of the upper leg unprotected, and the players can still receive some unpleasant injuries.

The cricket box is a well known device for protecting the genital area, and specially adapted supports are known for holding it in position. However, many cricketers do not bother with such supports and, in any event, they are of very limited use.

Preferred embodiments of the present invention aim to provide protective sports clothing which may be improved in the foregoing respects.

According to a first aspect of the present invention, there is provided protective sports clothing comprising a pair of trousers provided with at least one pouch positioned at or adjacent the top of the leg and adapted to receive and retain in position a protective device.

Preferably, the trousers are provided with a pouch as aforesaid to receive a cricket box or the like device for protecting the genital area.

Preferably, the trousers are provided with at least one pouch as aforesaid adapted to receive a pad for protecting the upper part of the leg. The or one of the pad-receiving pouch(es) preferably extends substantially from above the knee to the top of the leg. Such a pouch is preferably disposed on the inside of the leg.

Moreover, the pouch 1, or one of the pad-receiving pouches, preferably extends substantially from above the knee to a position above the top of the leg but below the waist. Such a pouch is preferably disposed on the outside of the leg.

The pouch or at least one of the pouches is preferably provided with an opening and a fastener for closing the opening. A suitable fastener may comprise "VELCRO" (R.T.M) or the like.

The trousers may be shorts, and they may advantageously be underwear.

The protective sports clothing may include at least one protective device in or adapted to fit in a respective said pouch. At least one such protective device may comprise a pad, which may be of a foamed plastics material. The pad may be retained in its respective pouch in a permanent manner, such that it is not readily removable therefrom.

For a better understanding of the invention and to show how the same may be carried into effect, reference will now be made, by way of example, to the accompanying diagrammatic drawings, in which;

Figure 1 illustrates a pair of protective cricket shorts in accordance with the invention, in front

elevation; and

Figure 2 shows the shorts in rear elevation.

The illustrated shorts 1 are adapted to be worn by a cricketer as underwear, as an item of protective clothing. They may, for example, be made of a light cotton and/or polyester material, and they may have an elasticated waistband 2, such that they may be readily put on and taken off. The shorts 1 are provided with three pouches 3, 4 and 5.

The first pouch 3 is provided at the front of the crutch, and is of such a size as to receive and retain in position a cricket box or like protective device. It has an open top 6 which is provided with "VELCRO" (R.T.M.) interengaging hook and eye tape, or the like, as a fastener 7. Most cricket boxes tend to be of a generally similar configuration, and so the wearer can use whatever type of box he prefers.

The second pouch 4 extends from the bottom of the respective leg 8 of the shorts to a position substantially at the top of the leg. It is disposed on the inside of the leg. It is provided with an opening 9 at the top, which is also provided with a "VELCRO" (R.T.M.) fastener 10, or the like. The pouch 4 receives a pad of foamed plastics material, or any other suitable cushioning. The pad may be easily inserted into and removed from the pouch 4, where it is retained by the fastener 10.

The third pouch 5 extends from the bottom of the respective leg portion 11 to a position above the top of the leg, and just below the waistband 2. The pouch 5 has an opening 12 at the top, and is adapted to receive a somewhat longer pad, again of foamed plastics material or suitable cushioning. The pouch 5 is disposed on the outside of the leg, and extends substantially from the centre front of the leg to the centre rear of the leg. The top 12 of the pouch 5 may be provided with a fastening, if desired. However, this may not be necessary, as the pad will tend to stay well within the pouch 5, because of its length.

In use, therefore, the wearer simply fits his box and protective pads into the pouches 3, 4 and 5 and dons the shorts 1. The illustrated shorts are designed for a right-handed batsman. Thus, when the batsman is facing the bowler, the top inside of his right leg and the top outside of his left leg, and the hip portion above it, which are normally vulnerable parts, are protected by the pads in the pouches 4 and 5. It will be appreciated that the illustrated shorts 1 may readily be modified for a left-handed batsman, or to provide pouches and protective pads for other devices in different positions.

The illustrated shorts 1 may be light and comfortable to wear, and a player may wear the shorts throughout the whole of the match, inserting the protective devices into the pouches 3, 4 and 5 only as and when necessary. In particular, the shorts 1 may be more comfortable to wear than the conventional support for accommodating a cricket box, and of course may provide much improved protection.

If desired, either or both of the pouches 4 and 5 may contain their respective pads in a permanent manner. Then it is preferred that the pads are of a washable material, such that they may be washed with shorts 1.

Although it is particularly convenient that the

illustrated protective clothing is in the form of shorts for wear as underwear, it is to be understood that the invention may be extended to provide trousers which may be of longer length and/or may be intended for wear as outerwear. Although the illustrated shorts 1 are intended primarily for cricketers, it will be appreciated that they may also be useful in other sports - such as hockey, for example - in which case, the positioning and configuration of the pouches may be different.

hereinbefore described with reference to the accompanying drawings.

Printed in the UK for HMSO, D8818935, 7/84, 7102.
Published by The Patent Office, 25 Southampton Buildings, London,
WC2A 1AY, from which copies may be obtained.

CLAIMS (Filed on 28/11/83)

1. Protective sports clothing comprising a pair of trousers provided with at least one pouch positioned at or adjacent the top of the leg and adapted to receive and retain in position a protective device.
2. Protective sports clothing according to Claim 1, wherein the trousers are provided with a pouch as aforesaid to receive a cricket box or like device for protecting the genital area.
3. Protective sports clothing according to Claim 1 or 2, wherein the trousers are provided with at least one pouch as aforesaid adapted to receive a pad for protecting the upper part of the leg.
4. Protective sports clothing according to Claim 3, wherein the or one of the pad-receiving pouch(es) extends substantially from above the knee to the top of the leg.
5. Protective sports clothing according to Claim 4, wherein the pouch recited in Claim 4 is disposed on the inside of the leg.
6. Protective sports clothing according to Claim 3, 4 or 5, wherein the or one of the pad-receiving pouch(es) extends substantially from above the knee to a position above the top of the leg but below the waist.
7. Protective sports clothing according to Claim 5, wherein the pouch recited in Claim 6 is disposed on the outside of the leg.
8. Protective sports clothing according to any preceding claim, wherein the or at least one of the pouch(es) is provided with an opening and a fastener for closing the opening.
9. Protective sports clothing according to Claim 8, wherein said fastener comprises "VELCRO" tape or the like.
10. Protective sports clothing according to any preceding claim, wherein the trousers are shorts.
11. Protective sports clothing according to any preceding claim, wherein the trousers are underwear.
12. Protective sports clothing according to any preceding claim, including at least one protective device in or adapted to fit in a respective said pouch.
13. Protective sports clothing according to Claim 12, as appendant to Claim 13, including at least one said pad.
14. Protective sports clothing according to Claim 13, wherein said pad is of a foamed plastics material.
15. Protective sports clothing according to Claim 13 or 14, wherein said pad is retained in its respective pouch such that it is not readily removable therefrom.
16. Protective sports clothing substantially as