



US00D352408S

# United States Patent [19]

[11] Patent Number: **Des. 352,408**

Hosoe

[45] Date of Patent: **\*\* Nov. 15, 1994**

[54] **TABLE**

[75] Inventor: **Isao Hosoe, Milan, Italy**  
 [73] Assignee: **Itoki Co., Ltd., Osaka, Japan**  
 [\*\*] Term: **14 Years**  
 [21] Appl. No.: **11,022**  
 [22] Filed: **Jul. 23, 1993**  
 [30] **Foreign Application Priority Data**

Jun. 4, 1993 [JP] Japan ..... 5-16342

[52] U.S. Cl. .... **D6/482; D6/487**

[58] Field of Search ..... D6/480-489,  
D6/495-499, 429, 511; 108/144, 147, 153, 156,  
161

[56] **References Cited**

**U.S. PATENT DOCUMENTS**

D. 166,048 2/1952 Rink ..... D6/483  
 D. 175,651 9/1955 Schwartz ..... D6/482 X  
 D. 177,678 5/1956 Melsen ..... D6/483 X  
 D. 284,431 7/1986 Berry, Jr. .... D6/484 X

D. 289,117 4/1987 Schmid ..... D6/484  
 D. 295,815 5/1988 Beall, Jr. .... D6/484 X  
 D. 332,535 1/1993 Hosoe .  
 D. 332,536 1/1993 Hosoe .  
 D. 332,537 1/1993 Hosoe .  
 D. 332,538 2/1993 Hosoe .  
 D. 333,053 2/1993 Hosoe .  
 D. 333,228 2/1993 Hosoe .

*Primary Examiner*—Janice E. Seeger  
*Attorney, Agent, or Firm*—Rogers & Killeen

[57] **CLAIM**

The ornamental design for the table, as shown.

**DESCRIPTION**

FIG. 1 is a perspective view of the table;  
 FIG. 2 is a front elevational view of the table;  
 FIG. 3 is a rear elevational view of the table;  
 FIG. 4 is a left side elevational view of the table;  
 FIG. 5 is a right side elevational view of the table;  
 FIG. 6 is a top plan view of the table;  
 FIG. 7 is a bottom plan view of the table; and,  
 FIG. 8 is a VIII—VIII sectional view of the table.

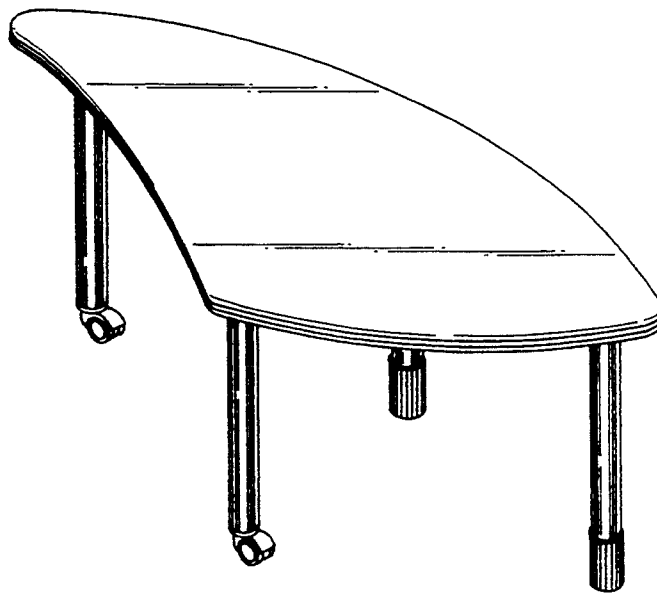


FIG.1

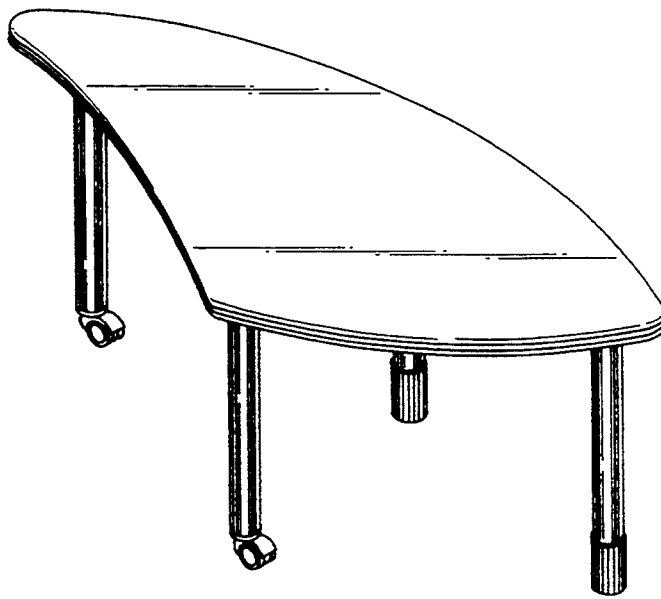


FIG.2

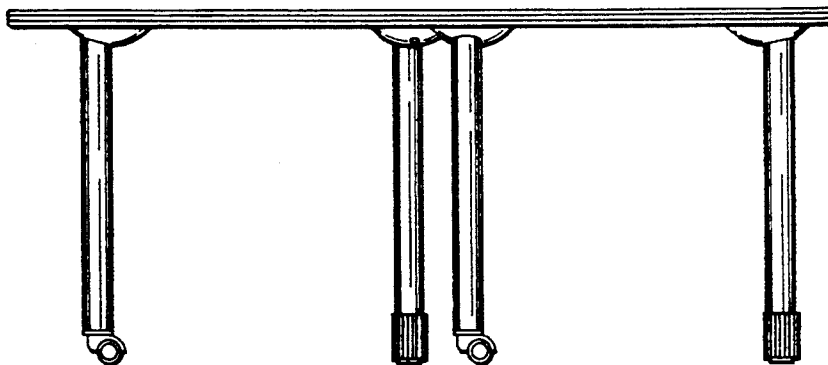


FIG. 3

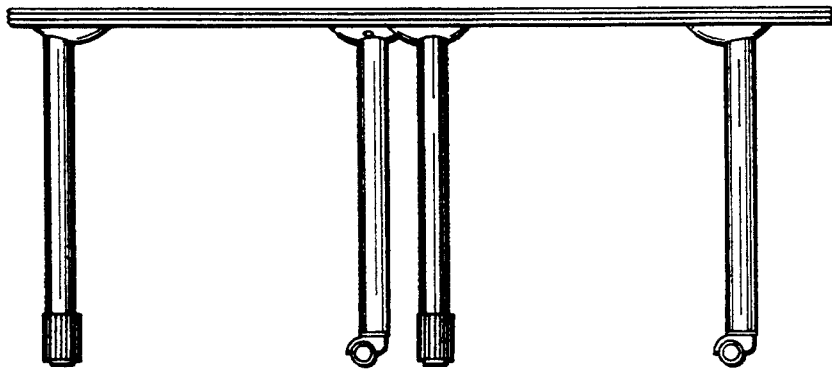


FIG. 4

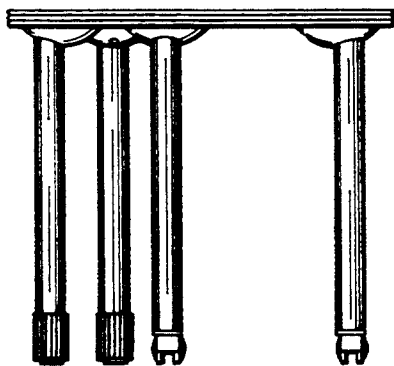


FIG. 5

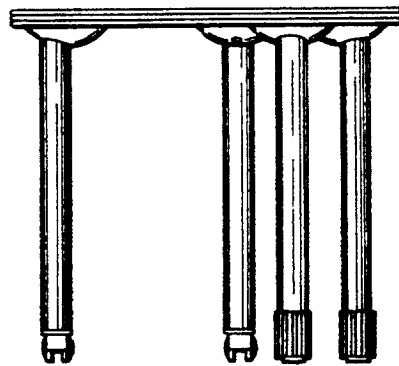


FIG. 6

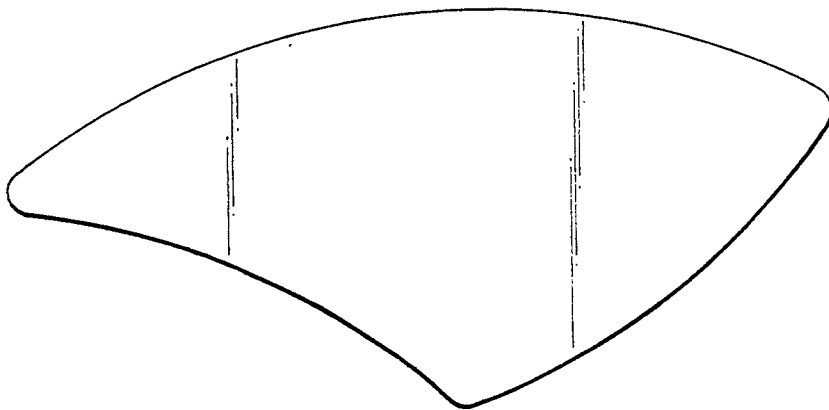


FIG. 7

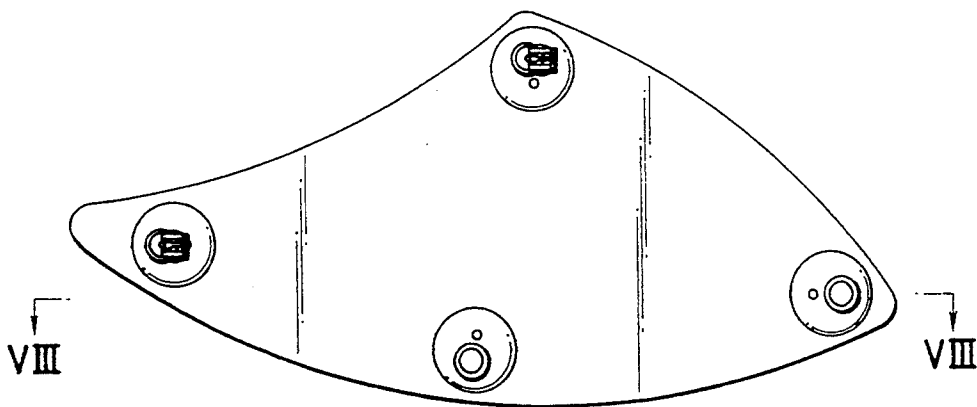


FIG. 8

