



US00D870523S

(12) **United States Design Patent**  
**Atteberry**

(10) **Patent No.:** **US D870,523 S**

(45) **Date of Patent:** **\*\* Dec. 24, 2019**

(54) **FLOWER STRIPPER**

(71) Applicant: **G4 Products, LLC**, Las Vegas, NV  
(US)

(72) Inventor: **Wade Eugene Atteberry**, San Jose, CA  
(US)

(73) Assignee: **G4 Products, LLC**, Las Vegas, NV  
(US)

(\*\*) Term: **15 Years**

(21) Appl. No.: **29/702,950**

(22) Filed: **Aug. 22, 2019**

**Related U.S. Application Data**

(63) Continuation of application No. 29/644,120, filed on  
Apr. 14, 2018, now Pat. No. Des. 862,180.

(51) **LOC (12) Cl.** ..... **08-03**

(52) **U.S. Cl.**  
USPC ..... **D8/9**

(58) **Field of Classification Search**  
USPC ..... D8/1, 5, 7, 9, 12, 16, 499; D11/143,  
D11/144, 146, 148, 155, 164, 184;  
D6/403-405, 556-558; D25/1;  
D26/9-11, 16, 19; D34/1, 2, 4, 5, 6;  
D99/5, 19  
CPC ..... A01D 1/06  
See application file for complete search history.

(56) **References Cited**

**U.S. PATENT DOCUMENTS**

48,136 A † 6/1865 Thacher ..... A01D 46/28  
56/330  
D179,294 S † 11/1956 Hinchcliffe ..... D15/147  
D242,884 S † 1/1977 Diaz ..... D6/403  
D257,064 S † 9/1980 Kobee ..... D25/136  
D282,419 S † 2/1986 Meyer ..... D6/405

D294,548 S † 3/1988 Wallace ..... D6/558  
D307,707 S † 5/1990 Abbestam ..... D34/29  
D314,506 S † 2/1991 McMullen ..... D8/499  
D316,951 S † 5/1991 Groves ..... D8/1

(Continued)

**FOREIGN PATENT DOCUMENTS**

CA 2694807 A1 † 8/2011 ..... A01G 5/00  
CN 103098657 A † 5/2013

(Continued)

**OTHER PUBLICATIONS**

Laegerbuilt, The Stripper Machine, Apr. 11, 2012, YouTube.com,  
<https://youtube.com/watch?v=V3SS-2Ygc8E> †

(Continued)

*Primary Examiner* — Karen S Acker

*Assistant Examiner* — Steven B Reinholdt, Jr.

(74) *Attorney, Agent, or Firm* — Lapple Ubell IP Law,  
LLP; Matthew C. Lapple

(57) **CLAIM**

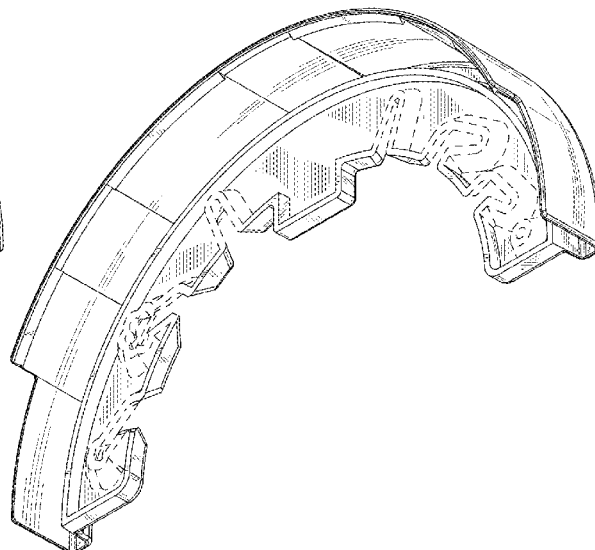
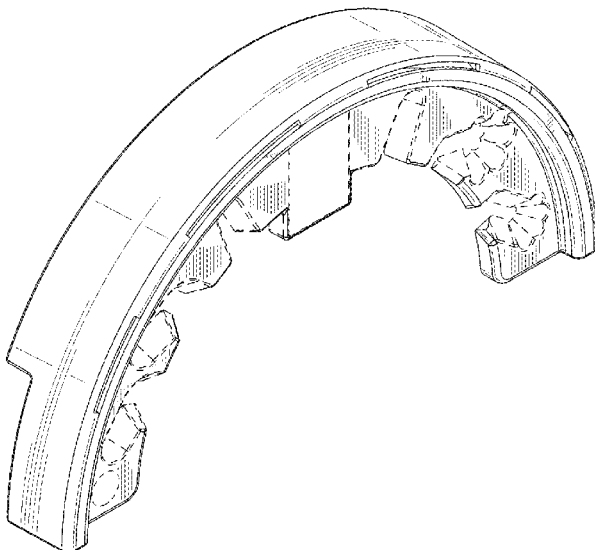
The ornamental design for a flower stripper, as shown and  
described.

**DESCRIPTION**

FIG. 1 is a front perspective view of a flower stripper  
showing my new design;  
FIG. 2 is a rear perspective view thereof;  
FIG. 3 is a front view thereof;  
FIG. 4 is a back view thereof;  
FIG. 5 is a left side view thereof;  
FIG. 6 is a right side view thereof;  
FIG. 7 is a top view thereof; and,  
FIG. 8 is a bottom view thereof.

The broken lines and the areas within them depict portions  
of the flower stripper that form no part of the claimed design.

**1 Claim, 6 Drawing Sheets**



(56)

## References Cited

## U.S. PATENT DOCUMENTS

- 5,044,115 A † 9/1991 Richardson ..... A01G 5/00  
144/24
- D336,220 S \* 6/1993 Grimes ..... D8/1
- 5,240,343 A † 8/1993 Strobl, Jr. .... E01C 11/221  
404/7
- D372,547 S † 8/1996 Sjodin ..... D25/164
- D399,782 S † 10/1998 Ray ..... D11/143
- D400,985 S † 11/1998 Risi ..... D25/164
- D419,863 S † 2/2000 Mullane ..... D8/499
- D425,382 S † 5/2000 Gordon ..... D8/1
- D425,767 S † 5/2000 Goslin ..... D8/1
- D433,291 S † 11/2000 Shamoon ..... D8/1
- D453,578 S † 2/2002 Olson ..... D25/164
- D479,637 S \* 9/2003 Flippo ..... D34/29
- D482,831 S † 11/2003 Lemos ..... D34/6
- D499,011 S † 11/2004 Rizzo ..... D8/499
- D499,332 S † 12/2004 Rizzo ..... D8/499
- D511,451 S † 11/2005 Mullane ..... D8/499
- D512,303 S † 12/2005 Prichard, Jr. .... D8/499
- 7,028,844 B2 † 4/2006 Nelson ..... A01G 5/00  
209/13
- 7,174,690 B2 \* 2/2007 Zadeh ..... E04B 1/2403  
52/712
- D541,952 S \* 5/2007 Keeley ..... D25/119
- D543,286 S † 5/2007 Keeley ..... D25/119
- D586,005 S † 2/2009 Schumaker ..... D25/119
- D613,572 S † 4/2010 Nielsen ..... D15/140
- D666,123 S † 8/2012 Sichello ..... D11/143
- 8,266,844 B2 \* 9/2012 Kurtz ..... A01G 9/28  
52/102
- 8,267,256 B2 † 9/2012 Berthet ..... A01D 46/285  
209/66
- 8,272,624 B1 \* 9/2012 Frazier ..... E04H 17/063  
256/1
- D718,556 S † 12/2014 Kreuzer ..... D6/574
- D756,213 S \* 5/2016 Fisher ..... D8/499
- 9,435,112 B2 † 9/2016 Bray ..... E01C 13/08
- D773,074 S \* 11/2016 Amrine ..... D25/164
- D776,834 S † 1/2017 Amrine ..... D25/164
- 9,532,509 B2 † 1/2017 Mayer ..... A01G 5/00
- D782,902 S † 4/2017 Paulin ..... D8/382
- D840,058 S † 2/2019 Amrine ..... D25/164
- D840,059 S \* 2/2019 Sanders ..... D25/164
- D850,661 S \* 6/2019 Rynberk, Jr. .... D25/164
- D854,712 S \* 7/2019 Thuma ..... D25/164
- D862,180 S \* 10/2019 Atteberry ..... D8/9
- D862,281 S \* 10/2019 Atteberry ..... D11/143
- 2002/0139045 A1 \* 10/2002 Womack ..... A01K 63/00  
47/33
- 2013/0205602 A1 † 8/2013 Mayer ..... A01G 3/00  
30/280
- 2015/0040734 A1 † 2/2015 Harris ..... A01G 5/06  
83/23
- 2015/0047485 A1 † 2/2015 Schroeder ..... A23N 15/06  
83/104
- 2018/0317404 A1 \* 11/2018 Atteberry ..... A01G 22/60

## FOREIGN PATENT DOCUMENTS

- CN 104396589 A † 3/2015
- CN 106386198 A † 2/2017
- KR 10-2002-0078121 A † 10/2002
- KR 10-2012-0025835 A † 3/2012

## OTHER PUBLICATIONS

- Thundervak Machine, Best Bud Trimmer, Oct. 18, 2013, YouTube.com, <https://youtube.com/watch?v=hNCQuWC9YZY>. †
- Williams-Sonoma, Williams Sonoma Herb & Kale Stripper, Sep. 6, 2017, [www.williams-sonoma.com](http://www.williams-sonoma.com), <https://www.williams-sonoma.com/products/williams-sonoma-herb-kale-stripper/?catalogId...> †
- International Search Report and Written Opinion dated by International Application Division Korean Intellectual Property Office on Sep. 4, 2018 in the corresponding International Patent Application No. PCT/US2018/031238. †
- BuildASoil.com, DeBudder, Unknown publication date, [site visited May 8, 2019], Available on the Internet URL <https://buildasoil.com/products/debudder?variant=28116592033876> (Year: 2019). †

\* cited by examiner

† imported from a related application

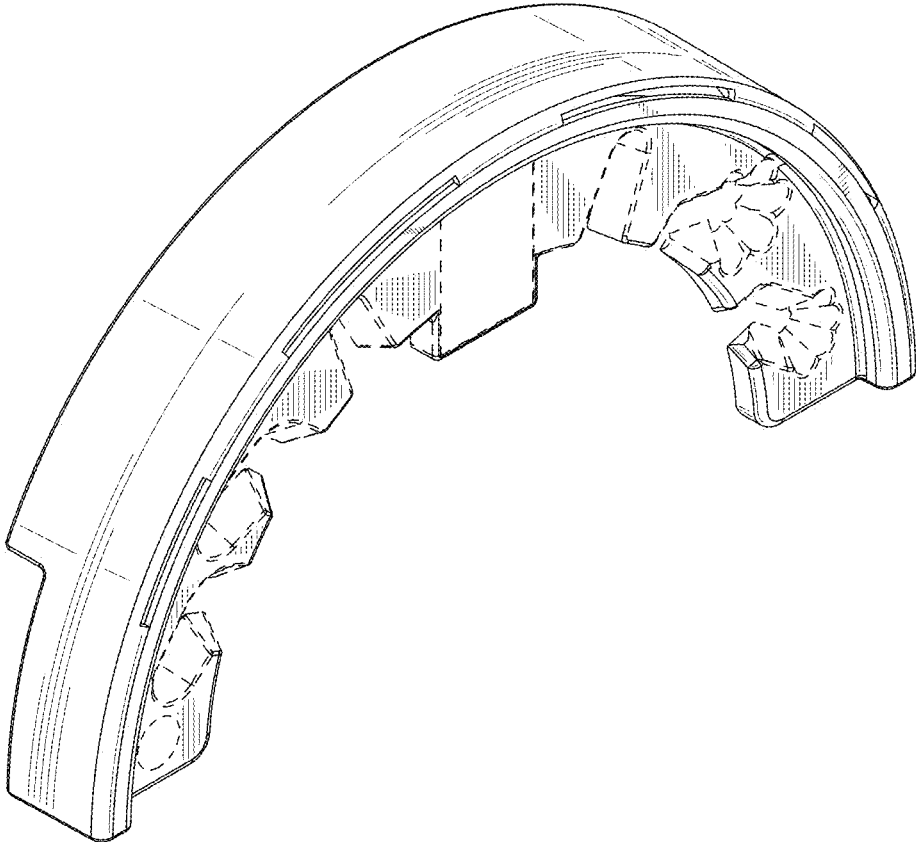
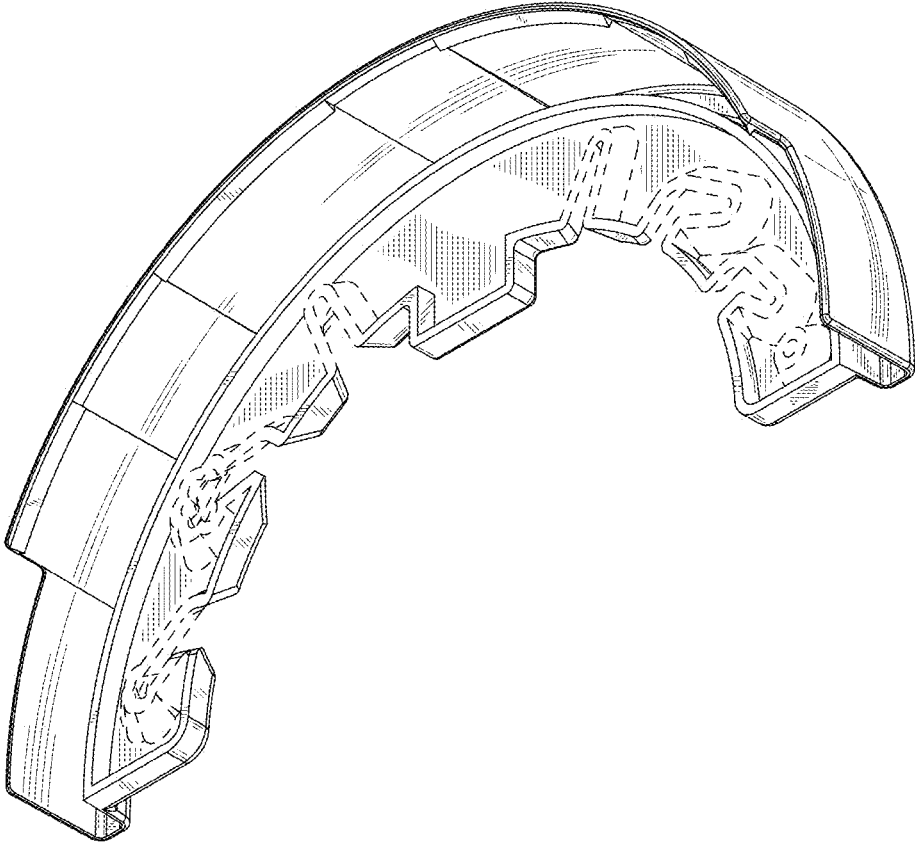
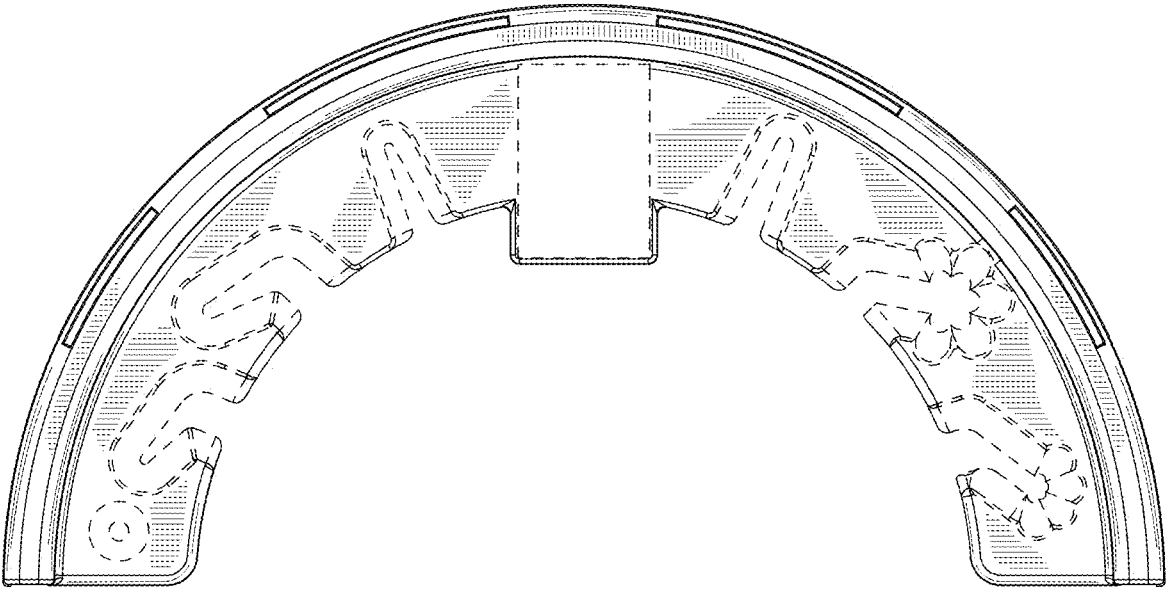


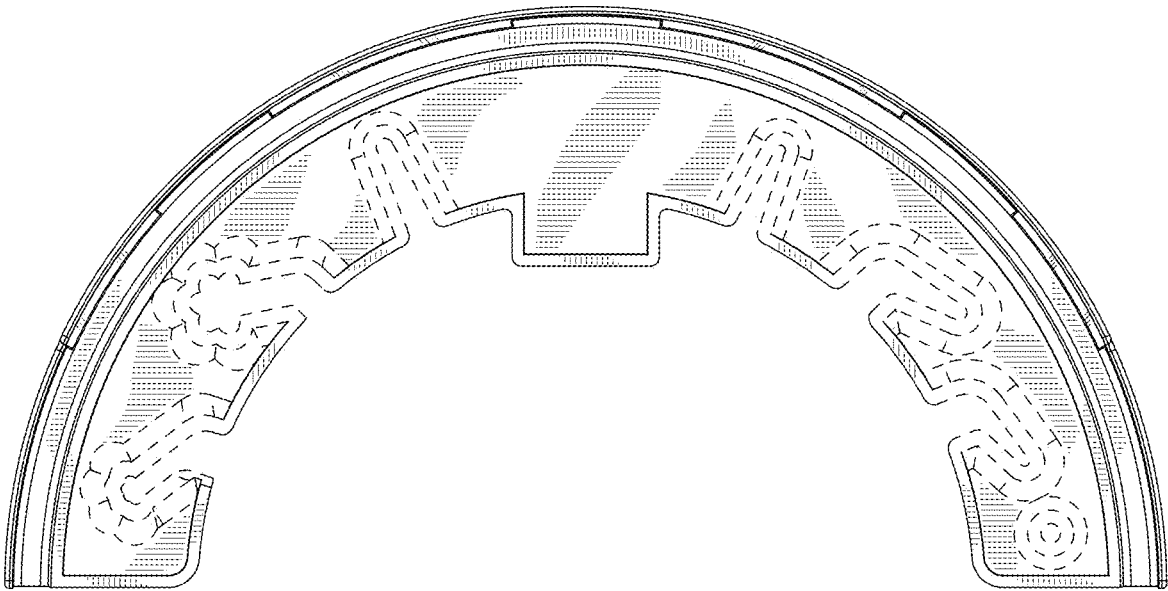
FIG. 1



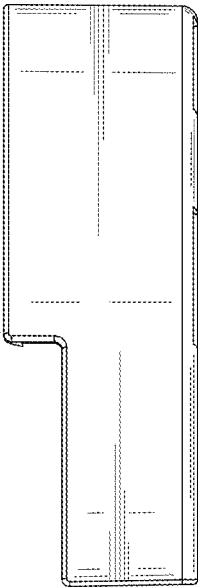
**FIG. 2**



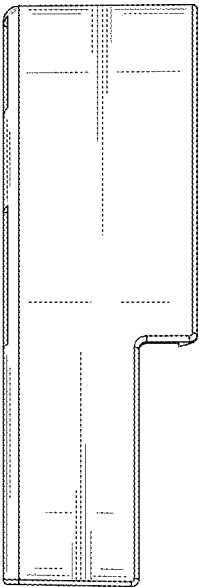
**FIG. 3**



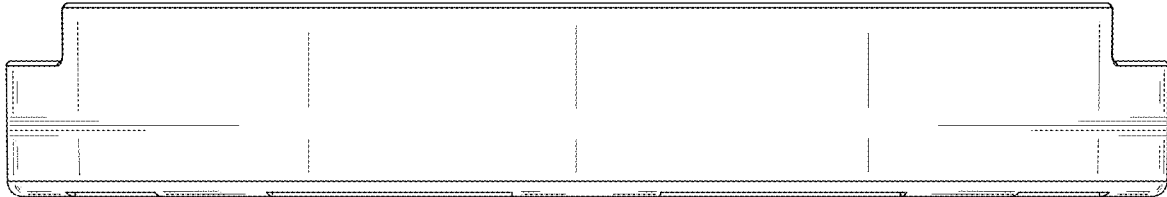
**FIG. 4**



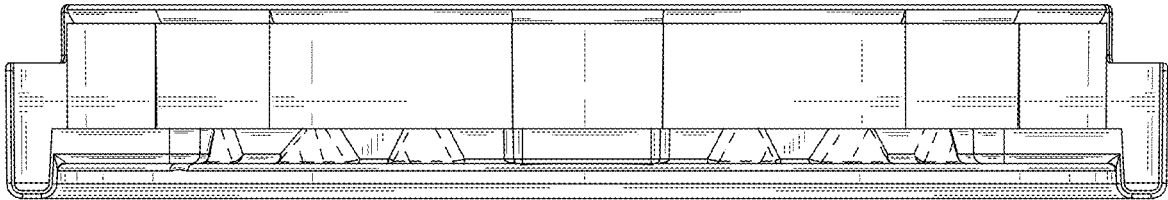
**FIG. 5**



**FIG. 6**



**FIG. 7**



**FIG. 8**