



US00D759141S

(12) **United States Design Patent**
Bacon et al.

(10) **Patent No.:** **US D759,141 S**

(45) **Date of Patent:** **** Jun. 14, 2016**

(54) **CAMERA HOUSING**

(71) Applicant: **GoPro, Inc.**, San Mateo, CA (US)

(72) Inventors: **Charles Bacon**, San Francisco, CA (US); **Kielan Crow**, San Francisco, CA (US); **Seungheon Lee**, Cupertino, CA (US); **Eric McCallister Bennett**, Foster City, CA (US)

(73) Assignee: **GoPro, Inc.**, San Mateo, CA (US)

(**) Term: **14 Years**

(21) Appl. No.: **29/526,511**

(22) Filed: **May 11, 2015**

(51) **LOC (10) Cl.** **16-01**

(52) **U.S. Cl.**

USPC **D16/200**

(58) **Field of Classification Search**

USPC D16/200, 202, 203, 208, 218, 219;
348/373-374; 396/535, 540, 541
CPC G03B 15/00; G03B 15/03; G03B 15/06;
G03B 17/02; G03B 17/04; G03B 17/045;
H04N 5/2251; H04N 5/2252; H04N 5/2253;
H04N 5/2254

See application file for complete search history.

(56) **References Cited**

U.S. PATENT DOCUMENTS

679,881 A * 8/1901 Whitby G03B 17/045
396/535
D441,386 S * 5/2001 Yamazaki D16/203

D504,904 S * 5/2005 Nagai D16/203
D515,121 S * 2/2006 Bleau D16/202
D616,480 S * 5/2010 Ookawa D16/218
D653,687 S * 2/2012 Yu D16/200
8,467,675 B2 * 6/2013 Chen G03B 17/02
348/374
D699,277 S * 2/2014 Samuels D16/200
D730,423 S * 5/2015 Vandebussche D16/218

* cited by examiner

Primary Examiner — Susan E Krakower

Assistant Examiner — Ramzi Almatrahi

(74) *Attorney, Agent, or Firm* — Fenwick & West LLP

(57) **CLAIM**

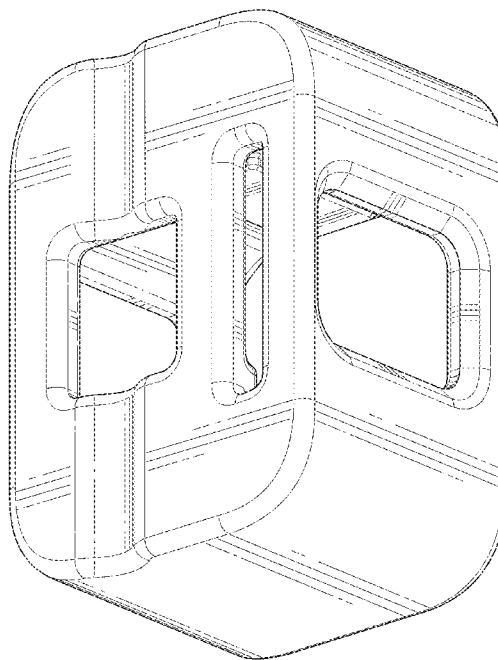
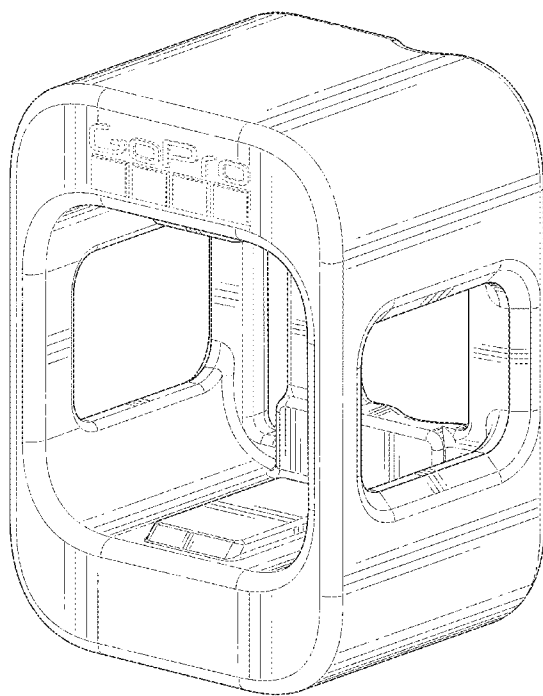
The ornamental design for a camera housing, as shown and described.

DESCRIPTION

FIG. 1 is a front, top, and right side perspective view of a camera housing showing our new design; FIG. 2 is a rear, bottom, and left side perspective view thereof; FIG. 3 is a front elevational view thereof; FIG. 4 is a rear elevational view thereof; FIG. 5 is a right side elevational view thereof; FIG. 6 is a left side elevational view thereof; FIG. 7 is a top plan view thereof; and, FIG. 8 is a bottom plan view thereof.

The broken lines in the drawings showing portions of the camera housing are included for the purpose of illustrating environment structure and for no part of the claimed design. The word "GoPro" illustrated in broken lines in the drawings is a registered trademark of GoPro, Inc.

1 Claim, 8 Drawing Sheets



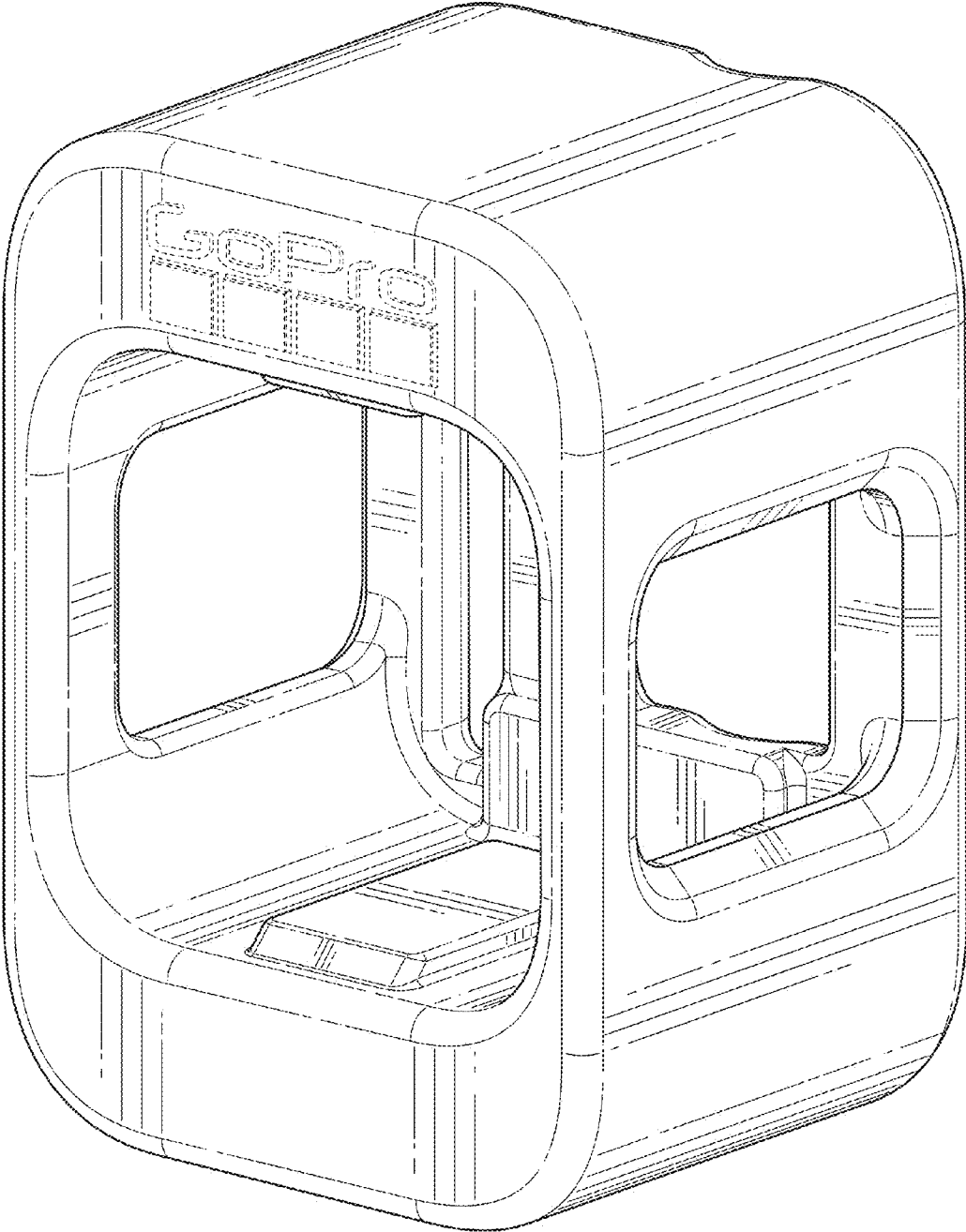


FIG. 1

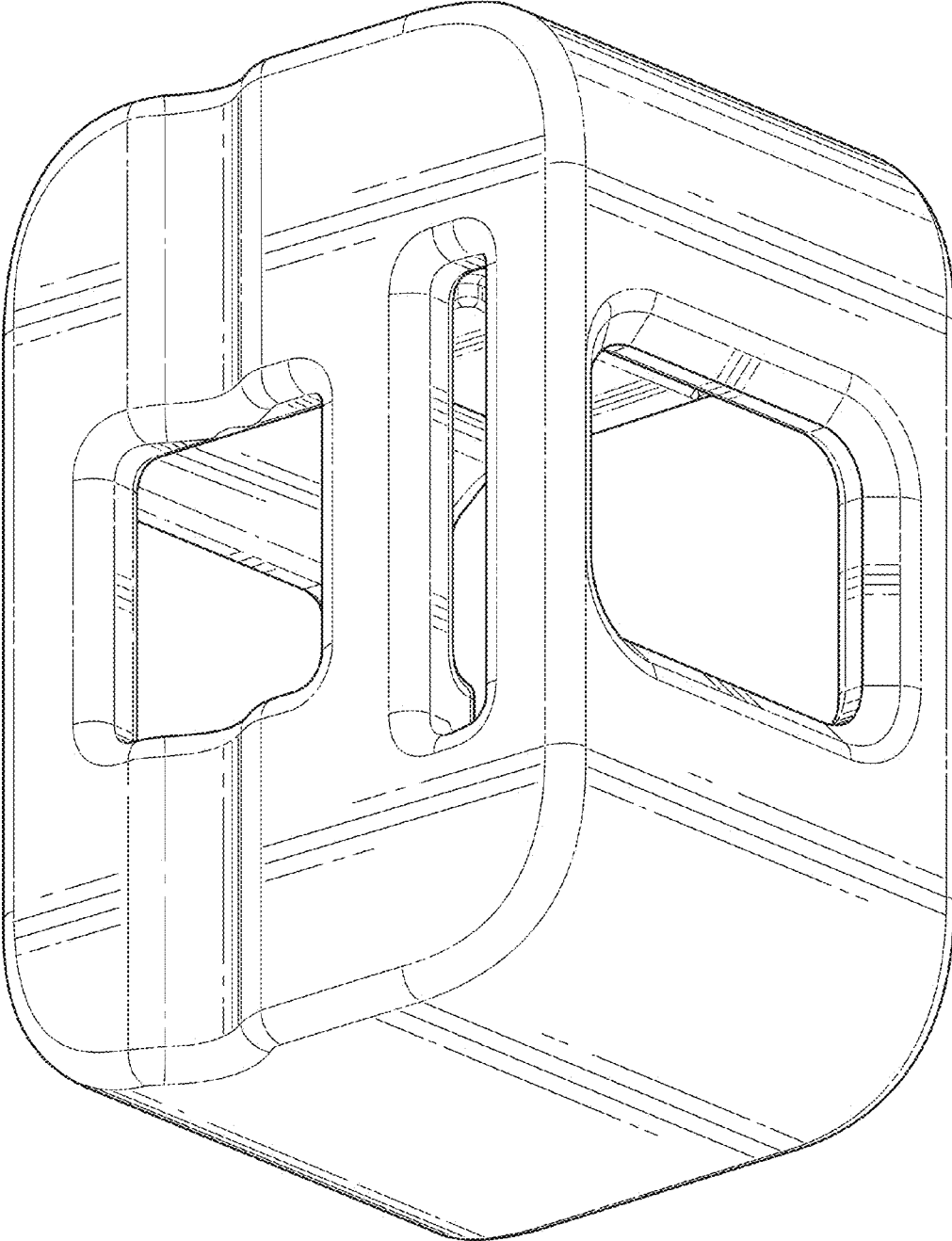


FIG. 2

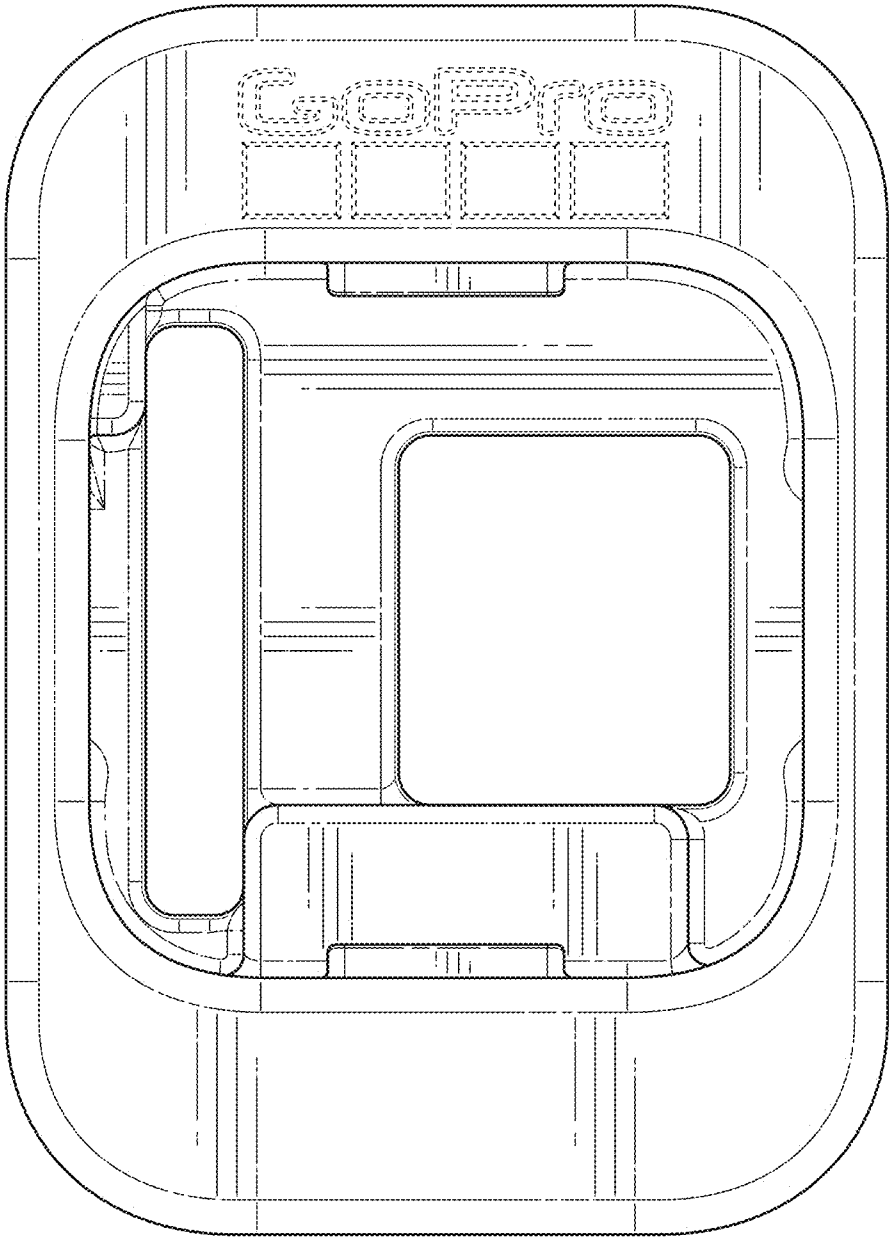


FIG. 3

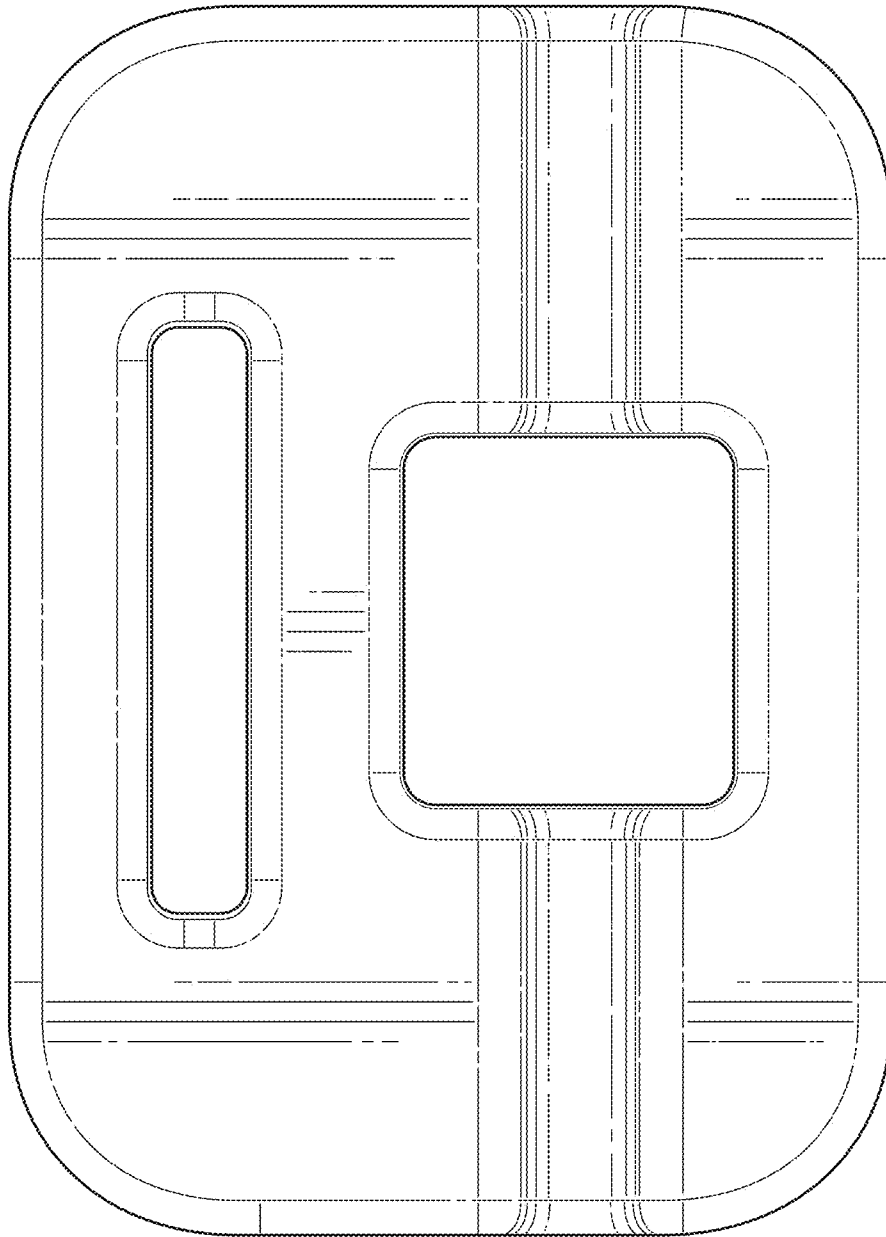


FIG. 4

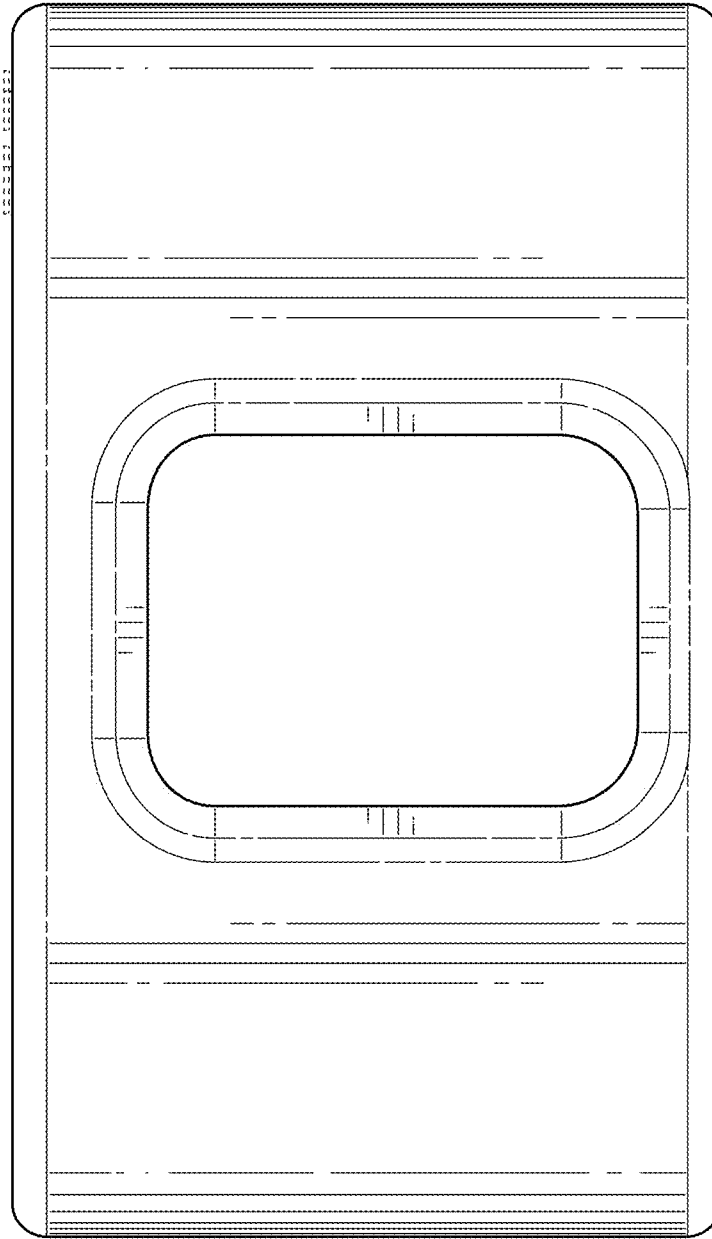


FIG. 5

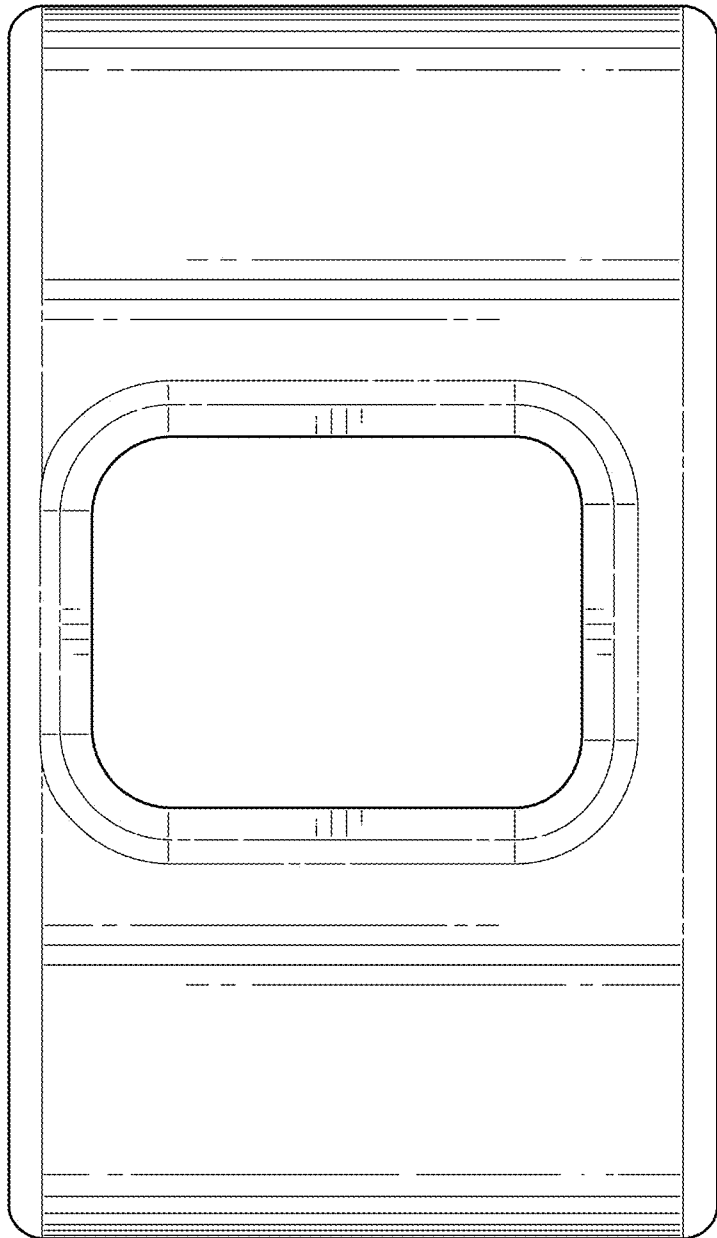


FIG. 6

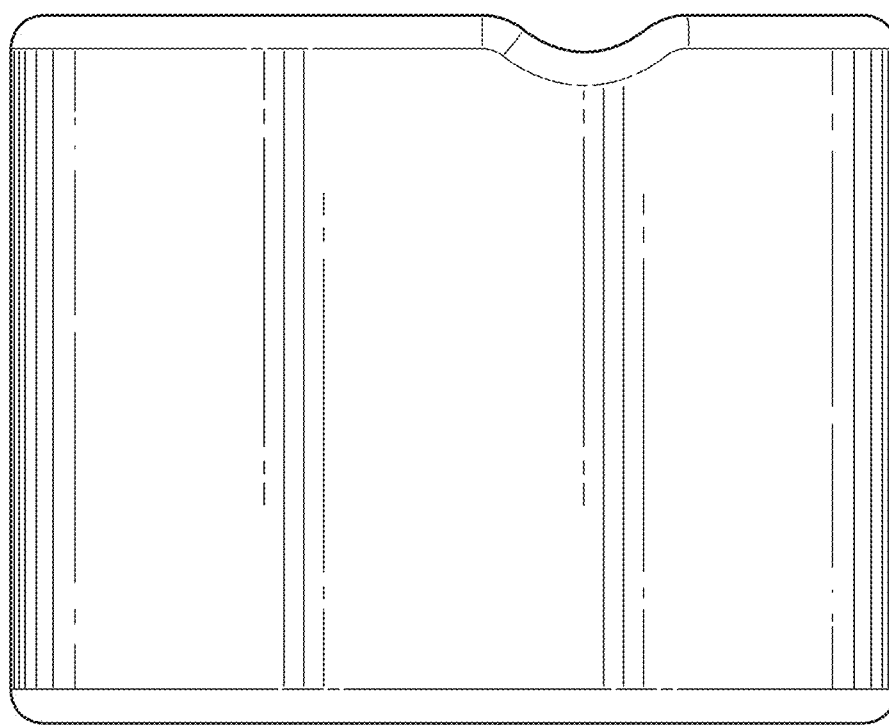


FIG. 7

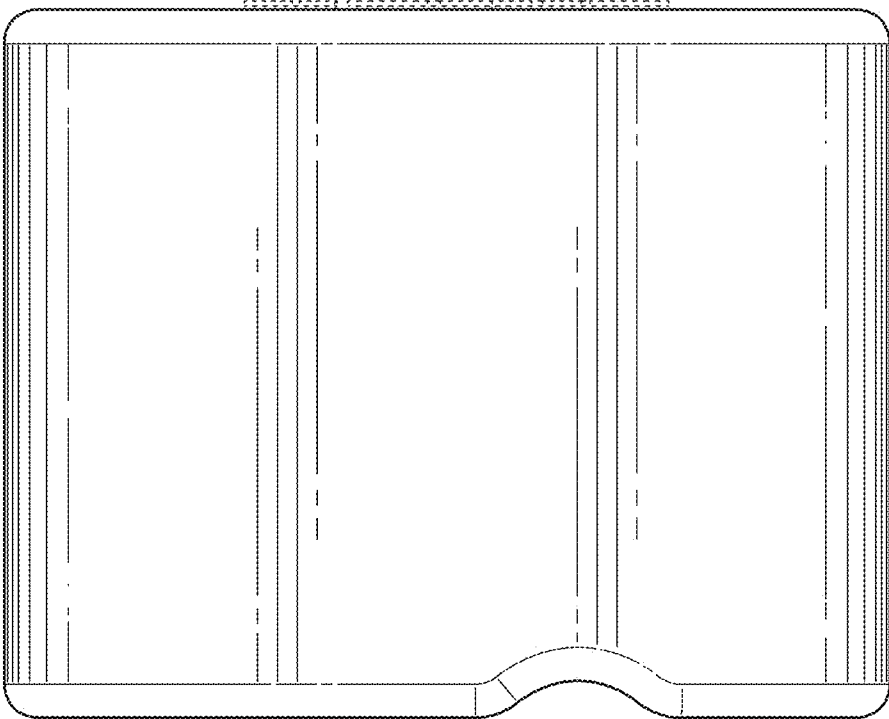


FIG. 8