



US00D675301S

(12) **United States Design Patent**
Collignon

(10) **Patent No.:** **US D675,301 S**

(45) **Date of Patent:** **** Jan. 29, 2013**

(54) **TOILET SEAT AND LID ASSEMBLY**

(76) Inventor: **Carlo Gomez-España Collignon**,
Zapopan (MX)

(**) Term: **14 Years**

(21) Appl. No.: **29/418,718**

(22) Filed: **Apr. 19, 2012**

Related U.S. Application Data

(63) Continuation-in-part of application No. 13/394,335, filed on Mar. 5, 2012, and a continuation-in-part of application No. 13/321,526, filed on Nov. 18, 2011.

(51) **LOC (9) Cl.** **23-02**

(52) **U.S. Cl.** **D23/311**

(58) **Field of Classification Search** D23/295,
D23/301, 303, 309, 311; 4/234, 236, 444,
4/329, 443

See application file for complete search history.

(56) **References Cited**

U.S. PATENT DOCUMENTS

D503,466 S *	3/2005	Davis	D23/311
D508,283 S *	8/2005	Sutopo	D23/311
D556,308 S *	11/2007	Hisey	D23/311
D572,807 S *	7/2008	Zhou	D23/311
D572,808 S *	7/2008	Zhou	D23/311
D593,654 S *	6/2009	De Lay	D23/309
D596,723 S *	7/2009	Dempsey et al.	D23/311

* cited by examiner

Primary Examiner — Robert Delehanty

(74) *Attorney, Agent, or Firm* — Steins & Associates, P.C

(57) **CLAIM**

What is claimed is the ornamental design for a toilet seat and lid assembly, as shown.

DESCRIPTION

FIG. 1 is a front perspective view of the toilet seat and lid assembly with the lid lifted 45 degrees;

FIG. 2 is a back perspective view of the toilet seat and lid assembly with the lid lifted 45 degrees;

FIG. 3 is a front perspective view of the toilet seat and lid assembly with the lid in the down position;

FIG. 4 is a back perspective view of the toilet seat and lid assembly with the lid in the down position;

FIG. 5 is a front view of the toilet seat and lid assembly with the lid lifted 45 degrees;

FIG. 6 is a back view of the toilet seat and lid assembly with the lid lifted 45 degrees;

FIG. 7 is a top view of the toilet seat and lid assembly with the lid lifted 45 degrees;

FIG. 8 is a bottom view of the toilet seat and lid assembly with the lid lifted 45 degrees;

FIG. 9 is a right side view of the toilet seat and lid assembly with the lid lifted 45 degrees;

FIG. 10 is a left side view of the toilet seat and lid assembly with the lid lifted 45 degrees;

FIG. 11 is a front view of the toilet seat and lid assembly with the lid in the down position;

FIG. 12 is a back view of the toilet seat and lid assembly with the lid in the down position;

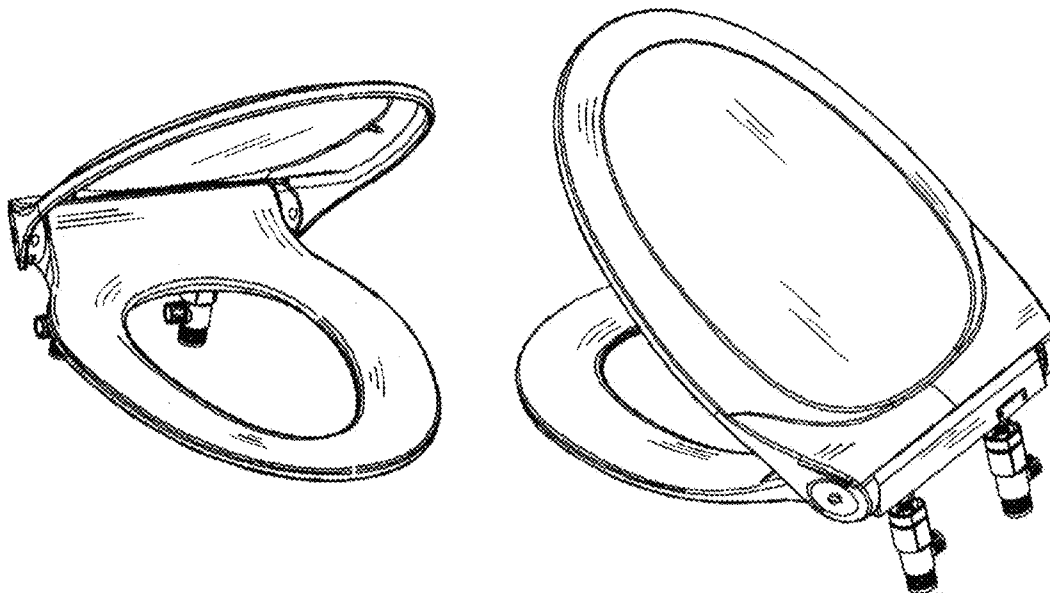
FIG. 13 is a bottom view of the toilet seat and lid assembly with the lid in the down position;

FIG. 14 is a top view of the toilet seat and lid assembly with the lid in the down position;

FIG. 15 is a right side view of the toilet seat and lid assembly with the lid in the down position; and,

FIG. 16 is a right side view of the toilet seat and lid assembly with the lid in the down position.

1 Claim, 10 Drawing Sheets



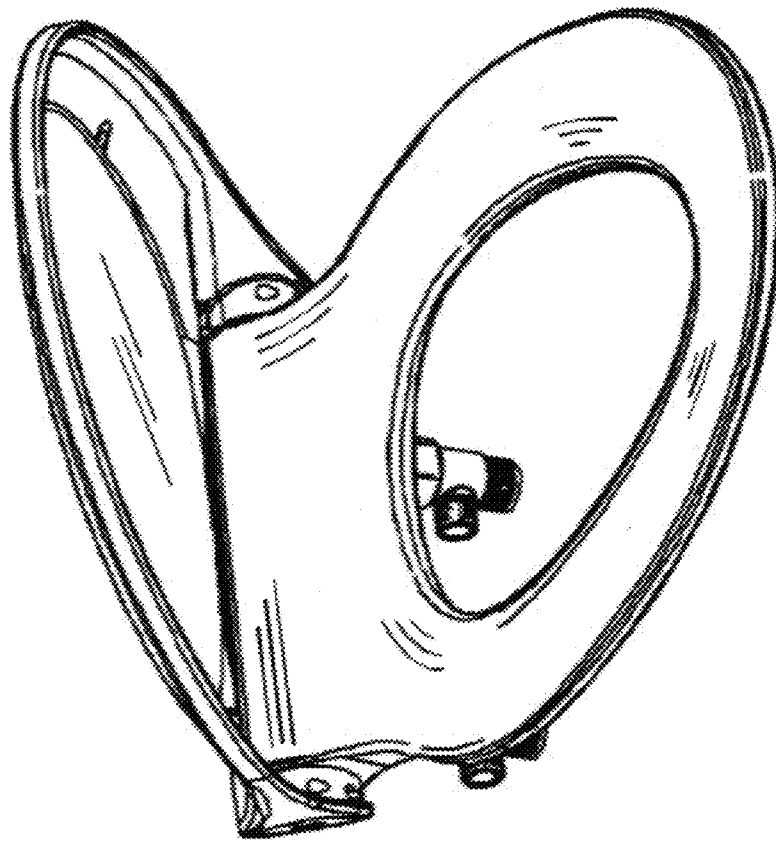


FIG. 1

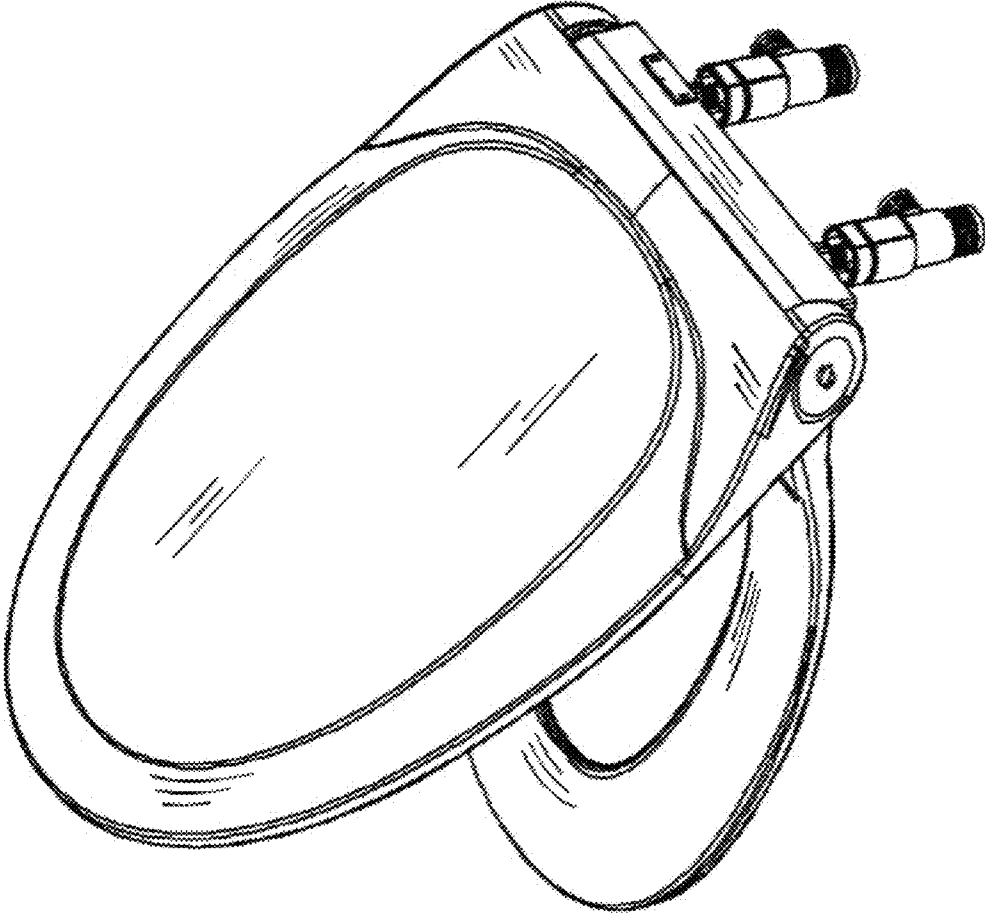


FIG. 2

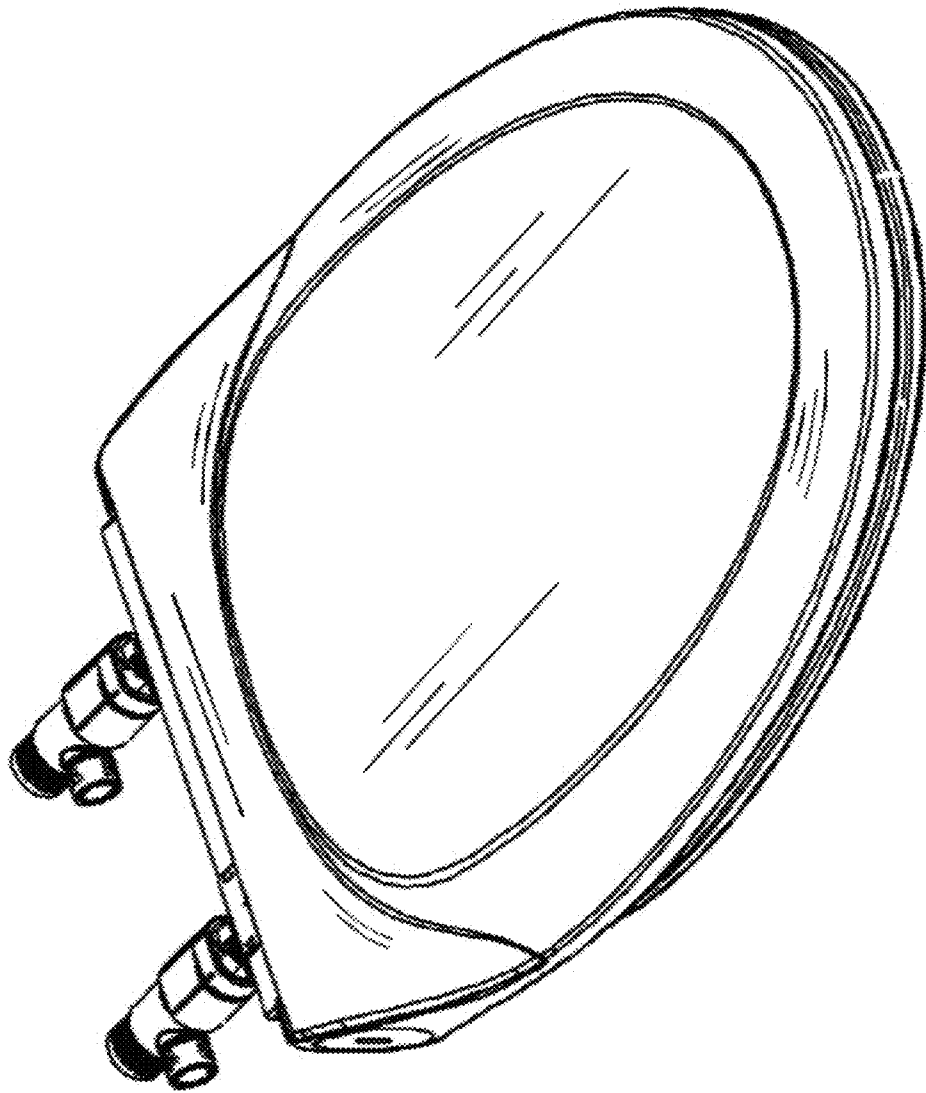


FIG. 3

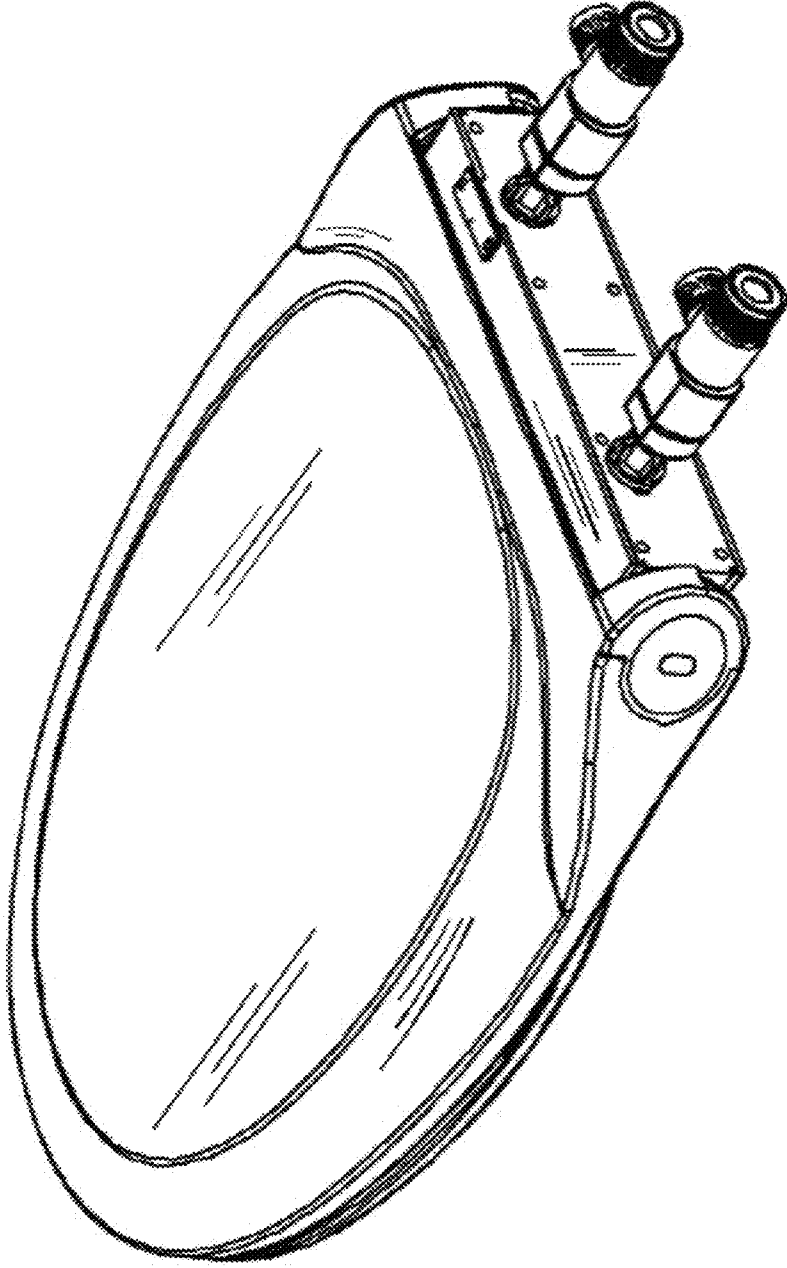


FIG. 4

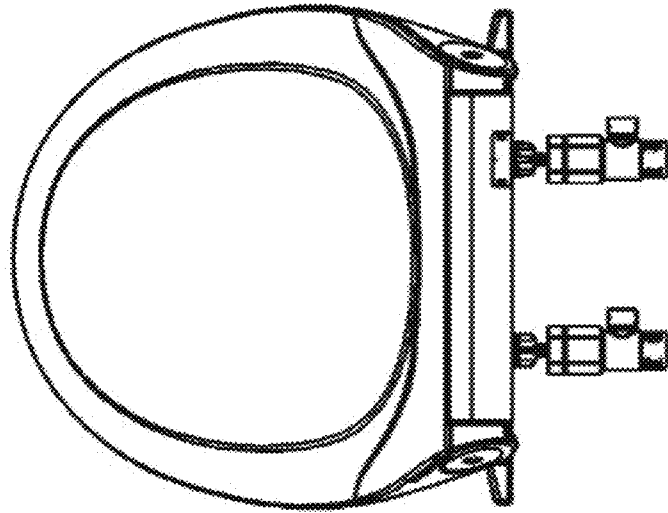


FIG. 6

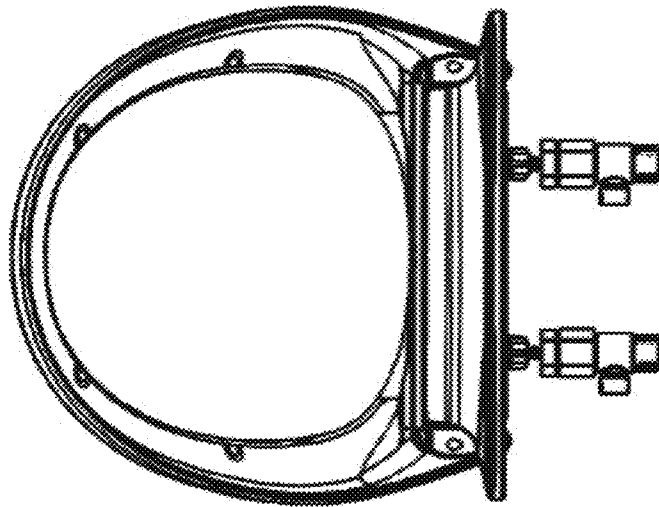


FIG. 5

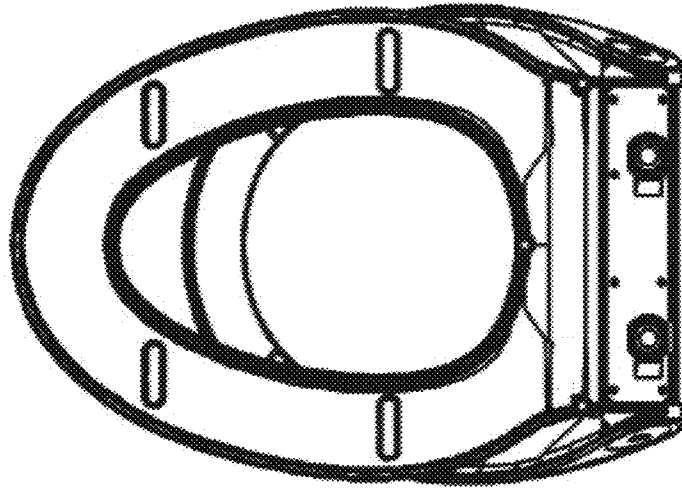


FIG. 8

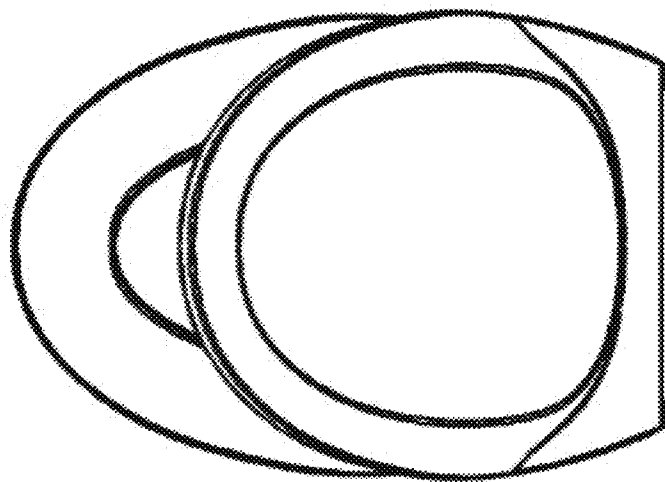


FIG. 7

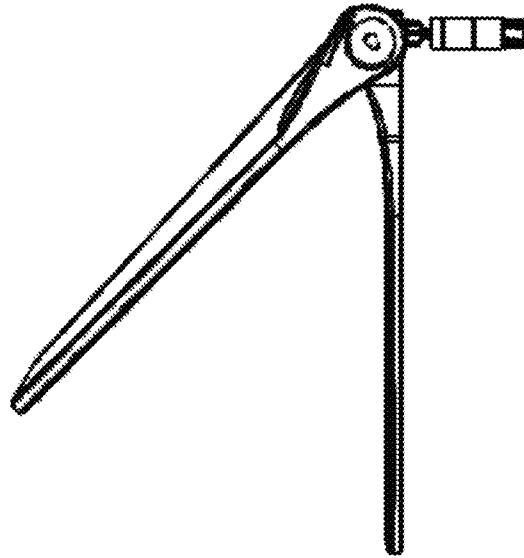


FIG. 10

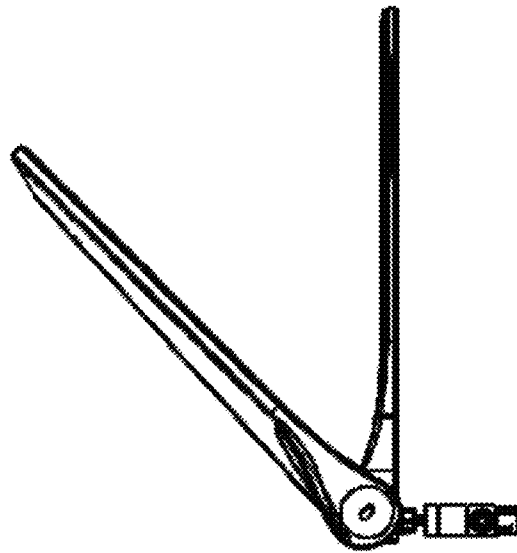


FIG. 9

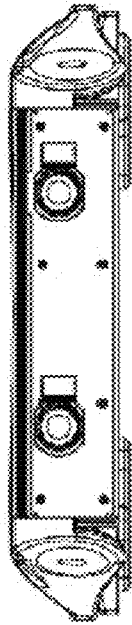


FIG. 12

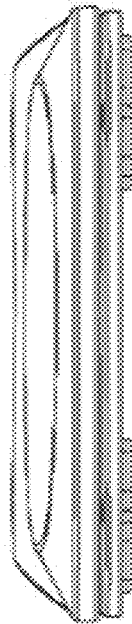


FIG. 11

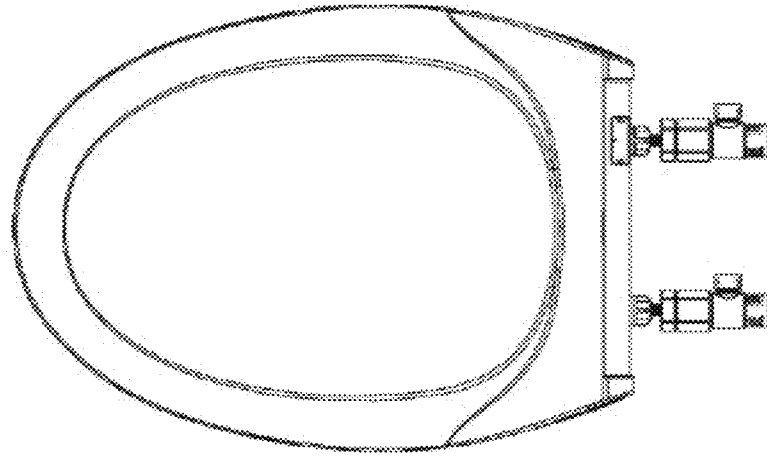


FIG. 14

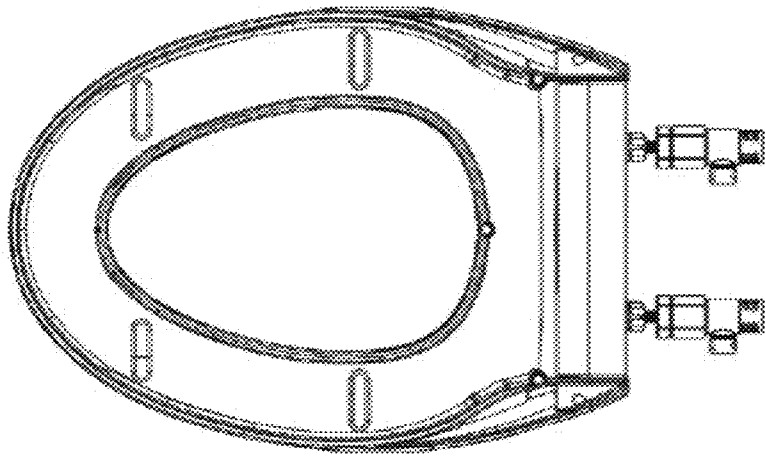


FIG. 13



FIG. 16



FIG. 15