



US00D827967S

(12) **United States Design Patent**
Foster

(10) **Patent No.:** **US D827,967 S**

(45) **Date of Patent:** **** Sep. 4, 2018**

- (54) **WASTE CONTAINER**
- (71) Applicant: **Rehrig Pacific Company**, Los Angeles, CA (US)
- (72) Inventor: **Derick Foster**, Cumming, GA (US)
- (73) Assignee: **REHRIG PACIFIC COMPANY**, Los Angeles, CA (US)
- (**) Term: **15 Years**
- (21) Appl. No.: **29/603,711**

5,582,322 A	12/1996	Prout et al.	
D388,577 S	12/1997	Rehrig et al.	
D398,120 S	9/1998	Rehrig et al.	
D445,228 S	7/2001	Apps et al.	
6,276,557 B1	8/2001	Wysocki	
D468,071 S	12/2002	Le et al.	
D471,336 S	3/2003	Tuduri	
D474,317 S	5/2003	Tuduri	
D491,328 S *	6/2004	Aiken	D34/5
6,902,080 B2	6/2005	Busch	
7,100,791 B2	9/2006	Berger	
7,114,631 B2	10/2006	Aiken et al.	
D532,173 S	11/2006	Aiken et al.	
D535,448 S	1/2007	Kilduff et al.	

(Continued)

- (22) Filed: **May 11, 2017**
 - (51) **LOC (11) Cl.** **09-09**
 - (52) **U.S. Cl.**
USPC **D34/5**
 - (58) **Field of Classification Search**
USPC D34/1-11; 220/908, 908.1, 67;
280/47.26
CPC B65F 1/06; B65F 1/1615; B65F 1/1607;
B65F 1/062; B65F 1/08; B65F 1/163;
B65F 1/16
- See application file for complete search history.

(56) **References Cited**

U.S. PATENT DOCUMENTS

D281,284 S	11/1985	Reuter
D292,638 S	11/1987	Carville
4,749,101 A	6/1988	Durkan, Jr.
4,836,394 A	6/1989	Glomski
4,930,649 A	6/1990	Moser
D313,491 S	1/1991	Edelhoff et al.
D323,912 S	2/1992	Delmerico
D323,914 S	2/1992	Doxey et al.
5,261,562 A	11/1993	Prout et al.
D347,095 S	5/1994	Apps et al.
5,356,027 A	10/1994	Craft et al.
D355,741 S	2/1995	Craft et al.
D365,428 S	12/1995	Prout et al.
5,538,158 A	7/1996	Prout et al.

OTHER PUBLICATIONS

- Rehrig Pacific '95 EG—2015' Dated Jan. 2016.
- Rehrig Pacific '95 EV—2014' Dated Jan. 2015.

Primary Examiner — Cynthia Ramirez

(74) *Attorney, Agent, or Firm* — Carlson, Gaskey & Olds, P.C.

(57) **CLAIM**

The ornamental design for a waste container, as shown and described.

DESCRIPTION

FIG. 1 is a perspective view of a waste container, showing my new design.

FIG. 2 is a first side view of the waste container.

FIG. 3 is a front view of the waste container.

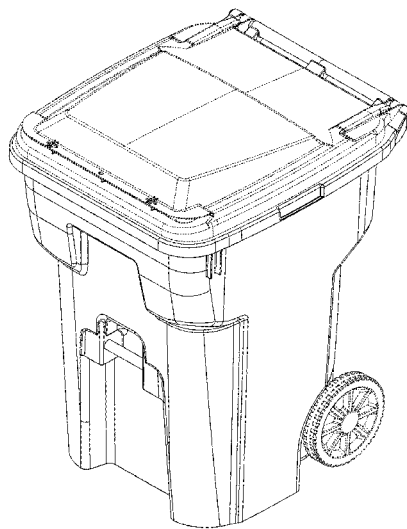
FIG. 4 is a second side view of the waste container.

FIG. 5 is a top view of the waste container.

FIG. 6 is a bottom view of the waste container; and, FIG. 7 is a rear view of the waste container.

The broken lines in the figures are to show portions of the waste container and form no part of the claimed design.

1 Claim, 7 Drawing Sheets



(56)

References Cited

U.S. PATENT DOCUMENTS

D552,320 S 10/2007 Presnell et al.
7,287,665 B2 10/2007 Meissen et al.
D568,022 S 4/2008 Bureau et al.
D577,170 S 9/2008 Meers
D594,169 S 6/2009 Connor et al.
D624,723 S * 9/2010 Raghunathan D34/5
D641,121 S 7/2011 Rampton et al.
D643,174 S 8/2011 Raghunathan et al.
8,096,565 B2 1/2012 Meers
D657,106 S 4/2012 Talbot Pouliot et al.
8,146,774 B2 4/2012 Parker et al.
8,424,714 B2 4/2013 Kruse et al.
8,430,267 B2 4/2013 Kilduff et al.
8,714,404 B2 5/2014 Raghunathan et al.
8,720,686 B1 5/2014 Shuman
D707,905 S * 6/2014 Nolet D34/5
D707,906 S 6/2014 Nolet et al.
D707,907 S 6/2014 Nolet et al.
D707,908 S 6/2014 Nolet et al.
D753,364 S 4/2016 Labrecque et al.
9,434,538 B2 9/2016 Yang et al.
D771,893 S 11/2016 Del Rosario Roy et al.
D789,012 S * 6/2017 Labrecque D34/5
2003/0213808 A1 11/2003 Berger
2004/0074913 A1 4/2004 McDade
2004/0206759 A1 10/2004 Busch

* cited by examiner

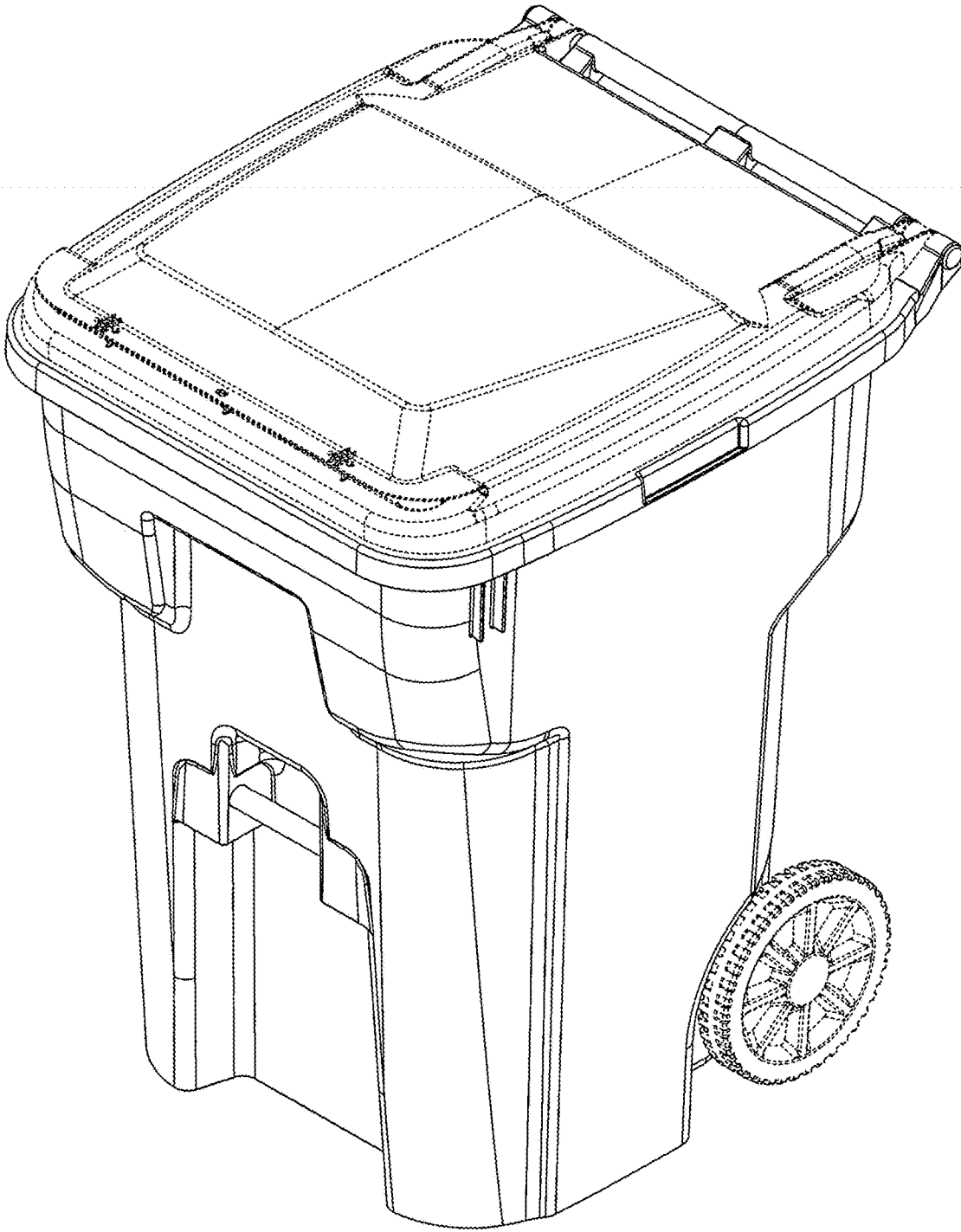


FIG. 1

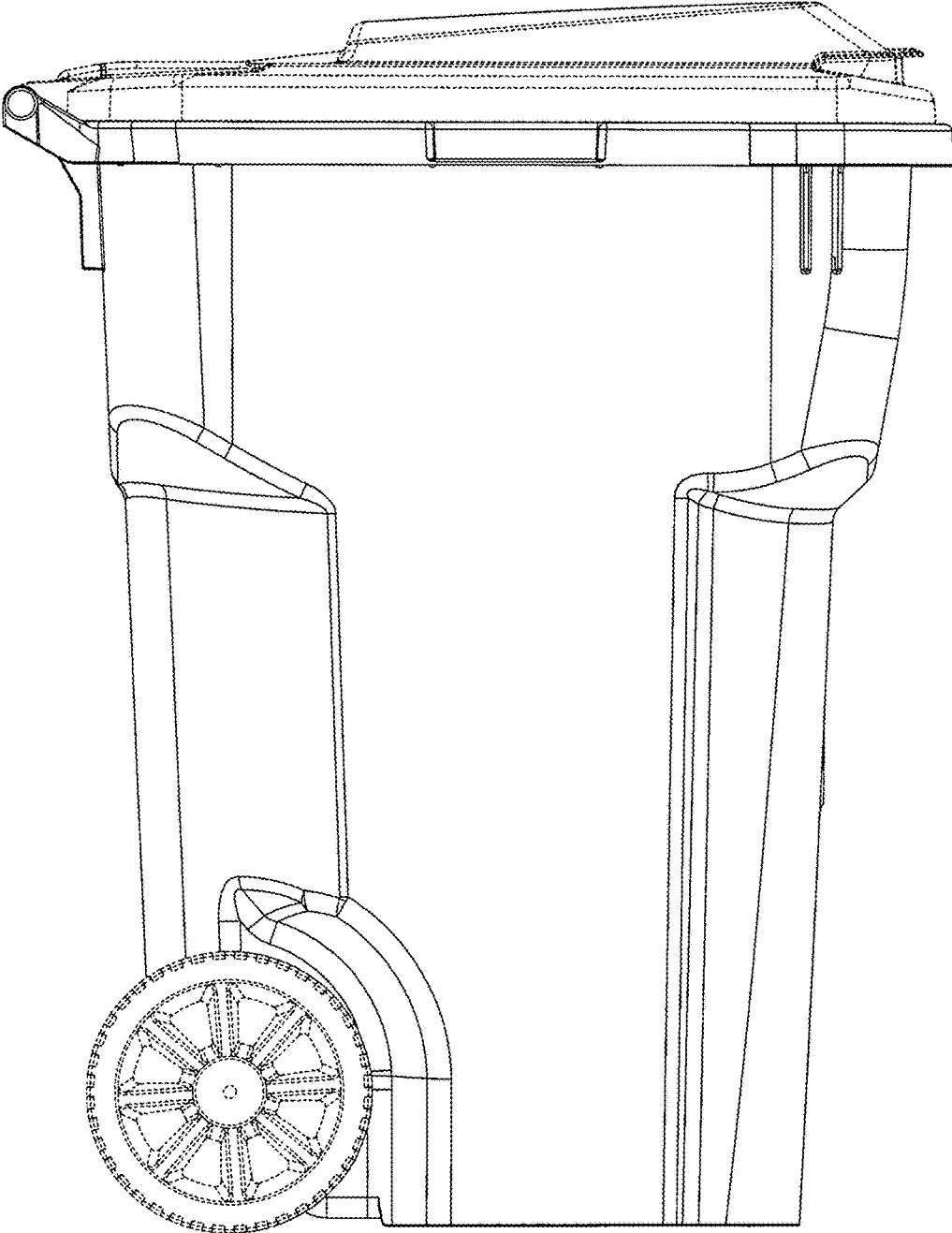


FIG. 2

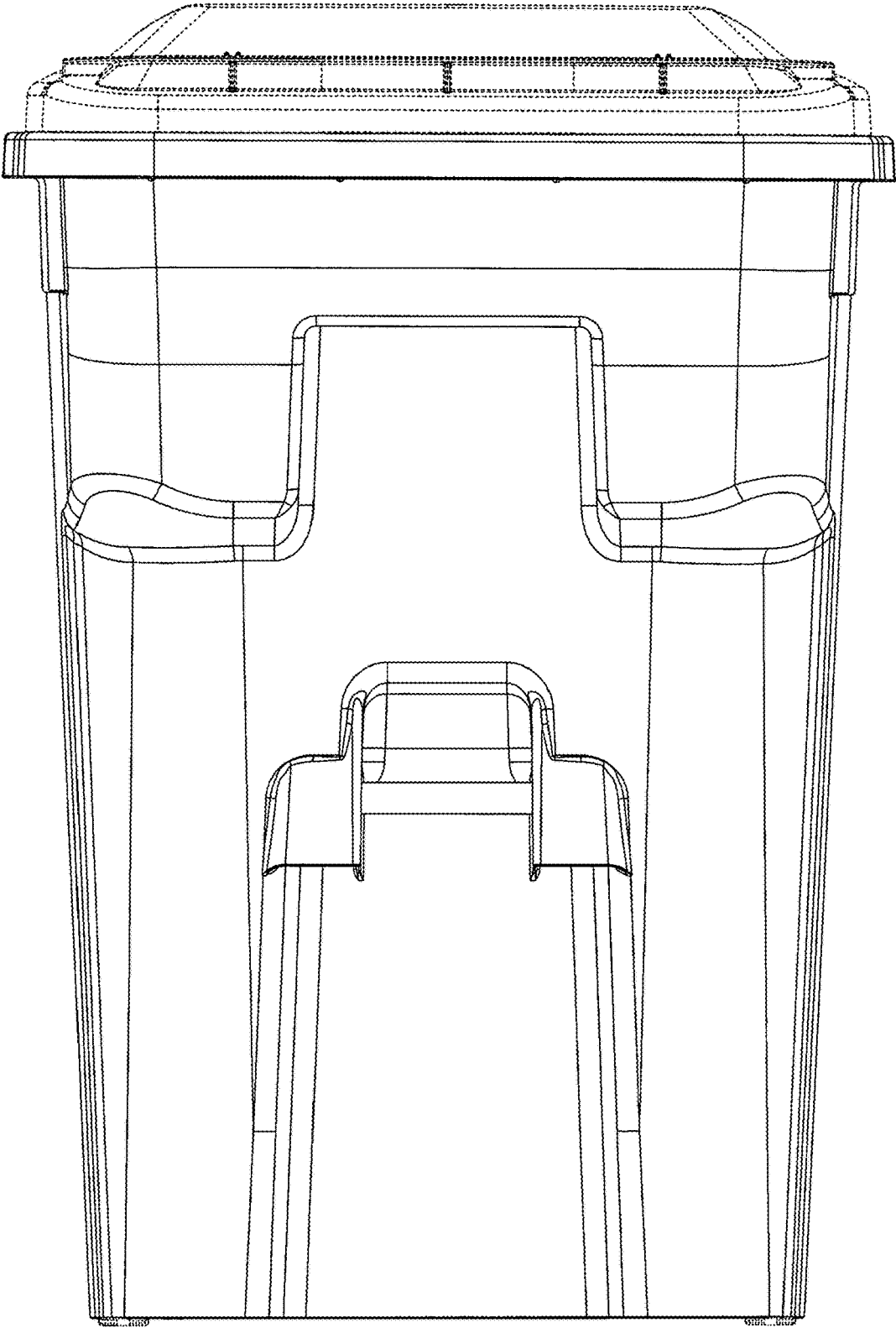


FIG. 3

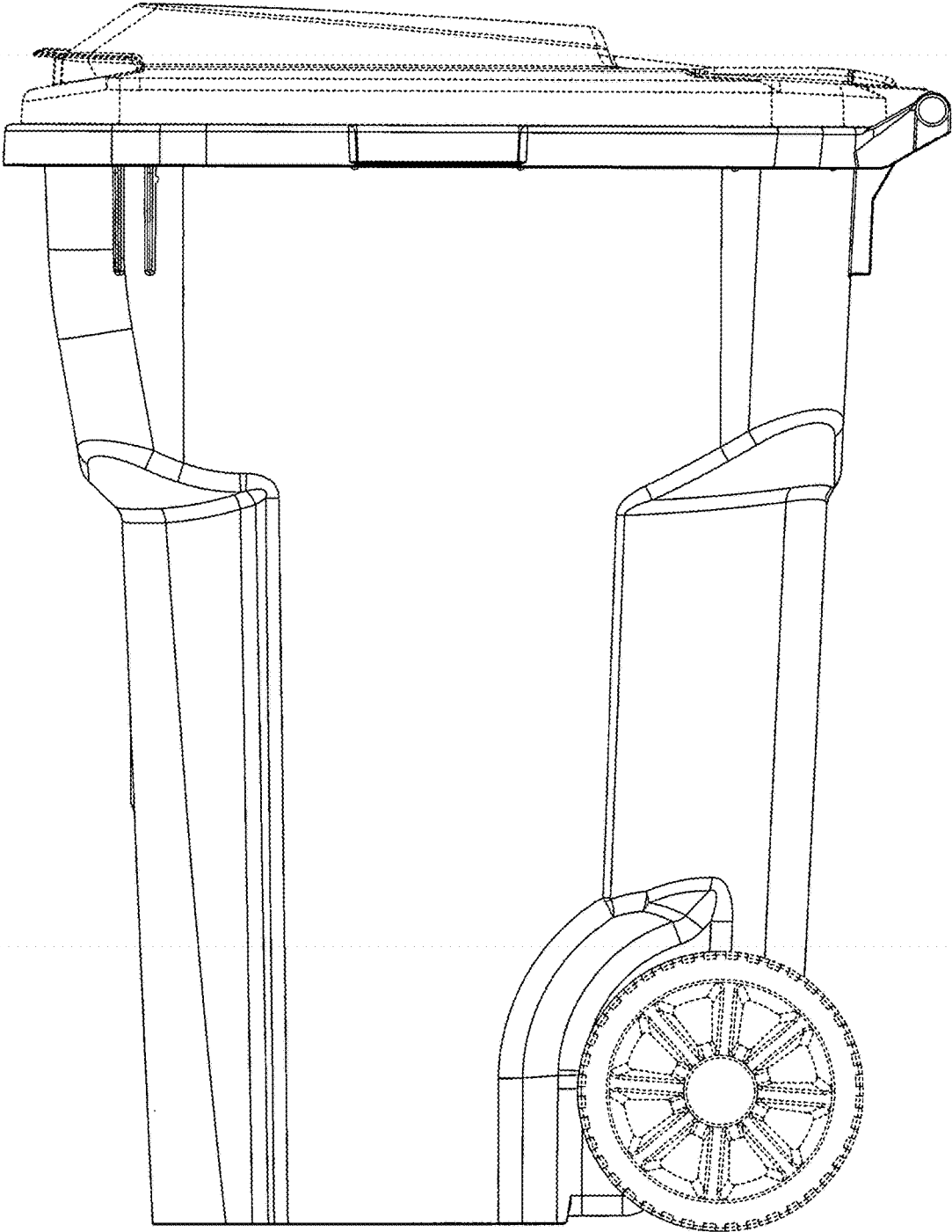


FIG. 4

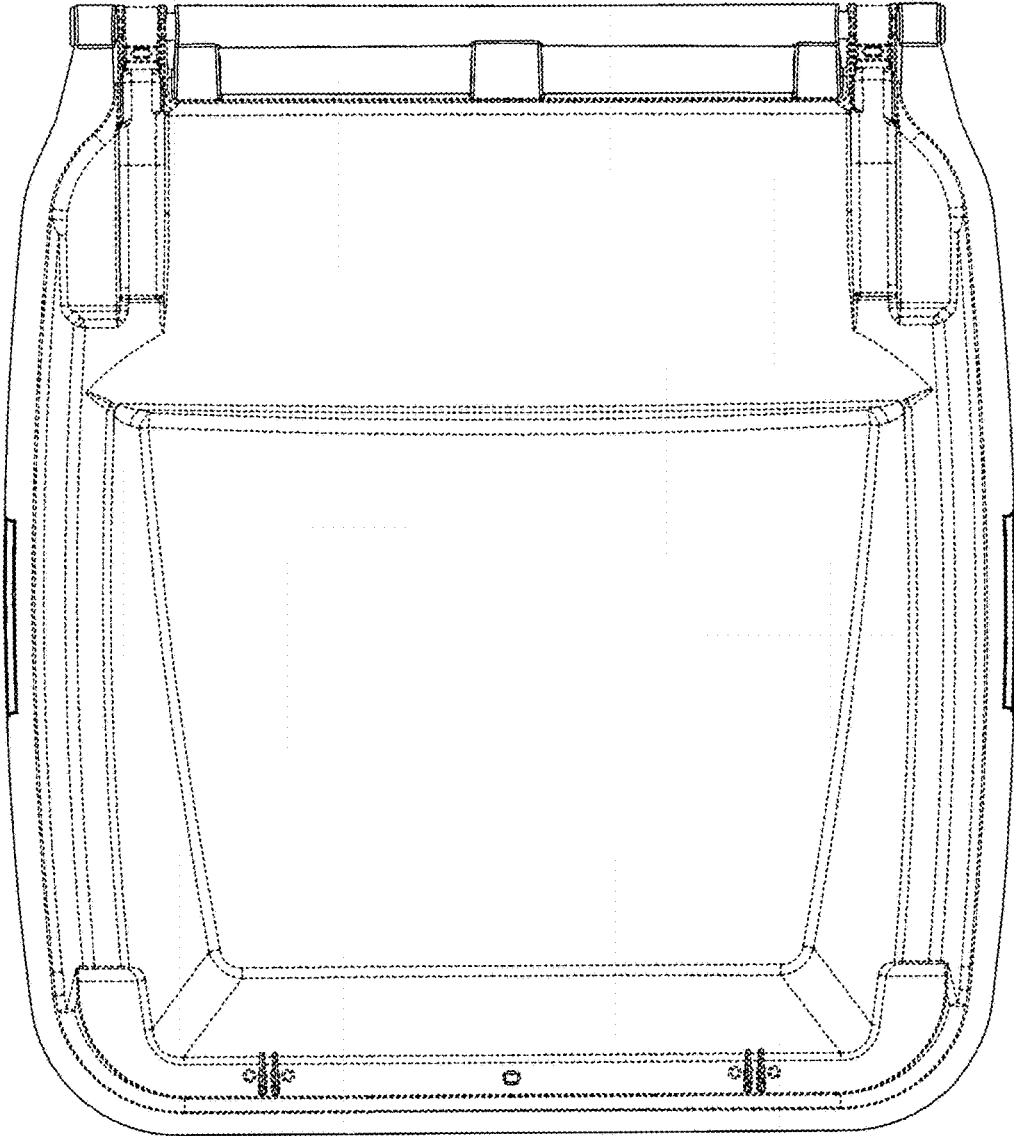


FIG. 5

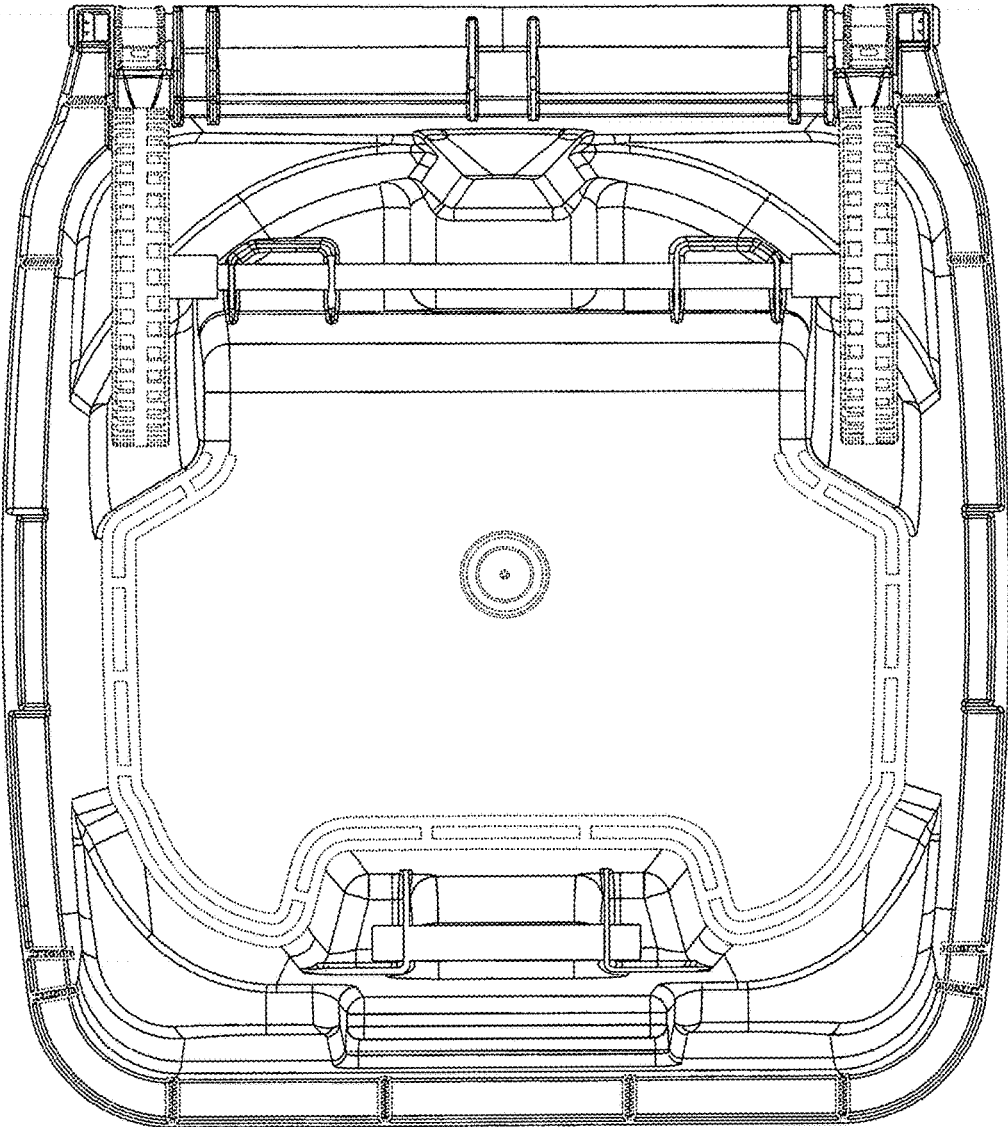


FIG. 6

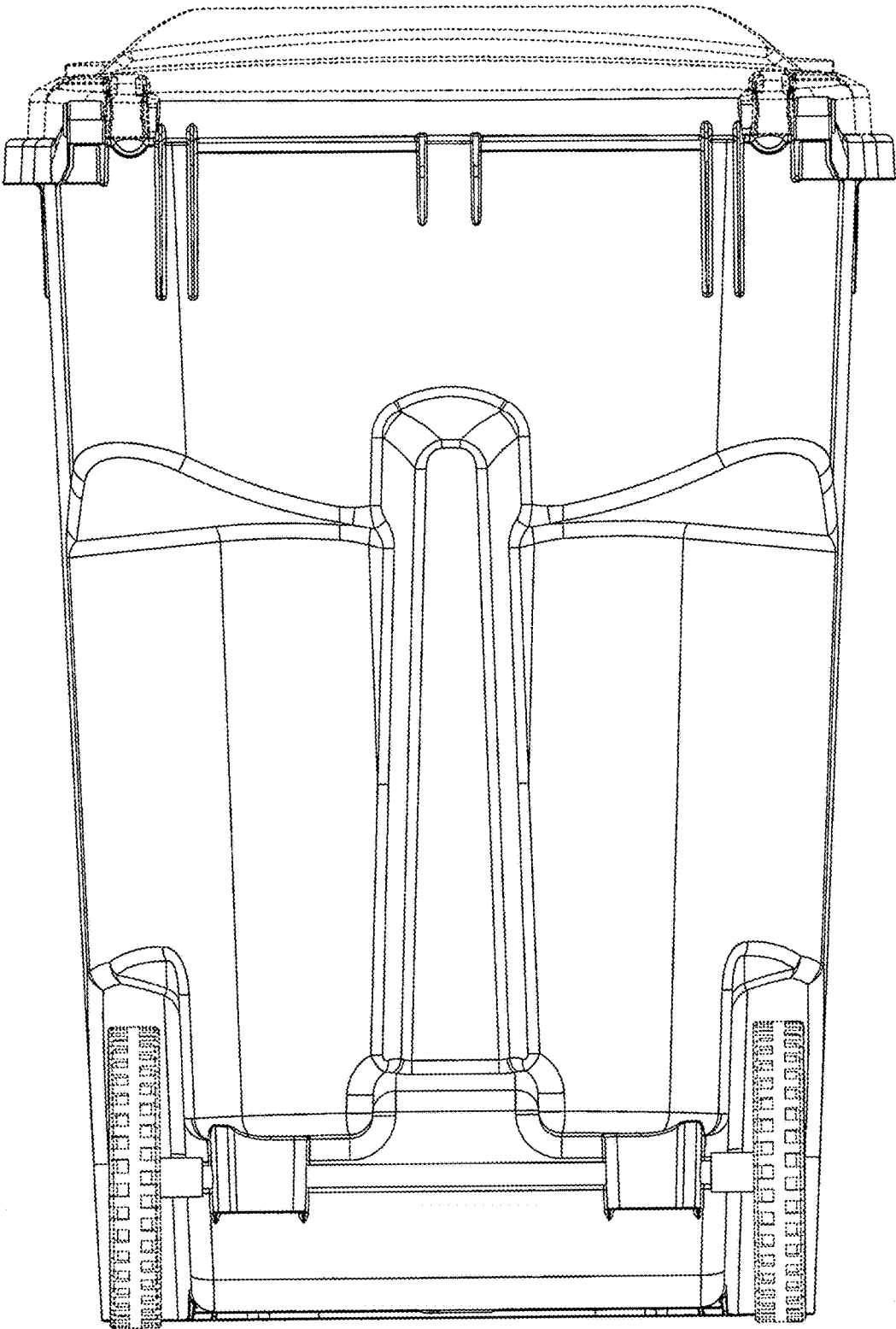


FIG. 7