



US00D485830S

(12) **United States Design Patent**  
**Chen**

(10) **Patent No.:** **US D485,830 S**

(45) **Date of Patent:** **\*\* Jan. 27, 2004**

- (54) **NETWORK SYSTEM COUPLING CASE**
- (75) **Inventor:** **I Tao Chen, Hsin Chuang (TW)**
- (73) **Assignee:** **Global Sun Technology Inc., Taipei (TW)**
- (\*\*) **Term:** **14 Years**
- (21) **Appl. No.:** **29/174,088**
- (22) **Filed:** **Jan. 9, 2003**
- (51) **LOC (7) Cl.** ..... **14-03**
- (52) **U.S. Cl.** ..... **D14/240; D14/242**
- (58) **Field of Search** ..... **D14/242, 240, D14/553, 299, 433, 256; 379/440, 93.08, 93.09, 93.15, 93.16, 165; D13/184, 152; 361/622; 455/500-556; 375/200-225**

- D346,606 S \* 5/1994 Harris et al. .... D14/242
- D354,500 S \* 1/1995 Georgopoulos ..... D14/242
- D355,658 S \* 2/1995 Brandt et al. .... D14/242
- D464,044 S \* 10/2002 Wang et al. .... D14/240

\* cited by examiner

*Primary Examiner*—Charles A. Rademaker

(57) **CLAIM**

The ornamental design for a network system coupling case, as shown and described.

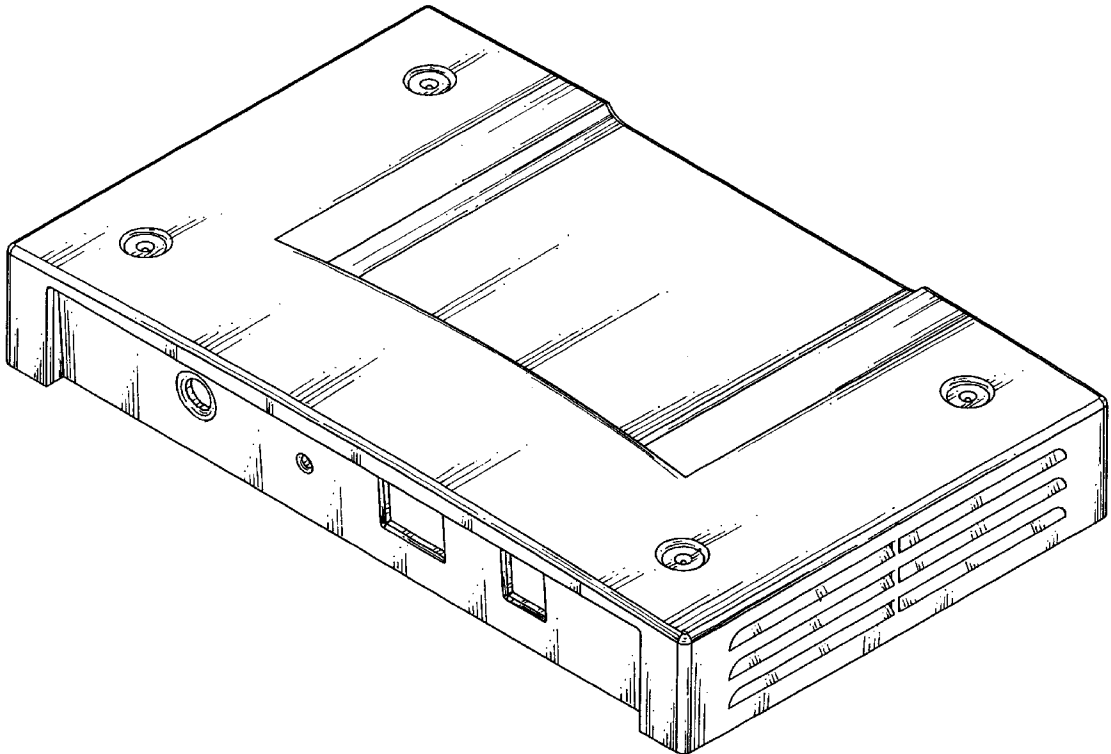
**DESCRIPTION**

FIG. 1 is a perspective view of a network system coupling case showing my new design;  
 FIG. 2 is a front elevational view thereof;  
 FIG. 3 is a rear elevational view thereof;  
 FIG. 4 is a top plan view thereof;  
 FIG. 5 is a bottom plan view thereof;  
 FIG. 6 is a left side elevational view thereof; and,  
 FIG. 7 is a right side elevational view thereof.

(56) **References Cited**  
**U.S. PATENT DOCUMENTS**

- D301,877 S \* 6/1989 Greenberg et al. .... D14/242
- D303,252 S \* 9/1989 Shih ..... D14/242

**1 Claim, 5 Drawing Sheets**



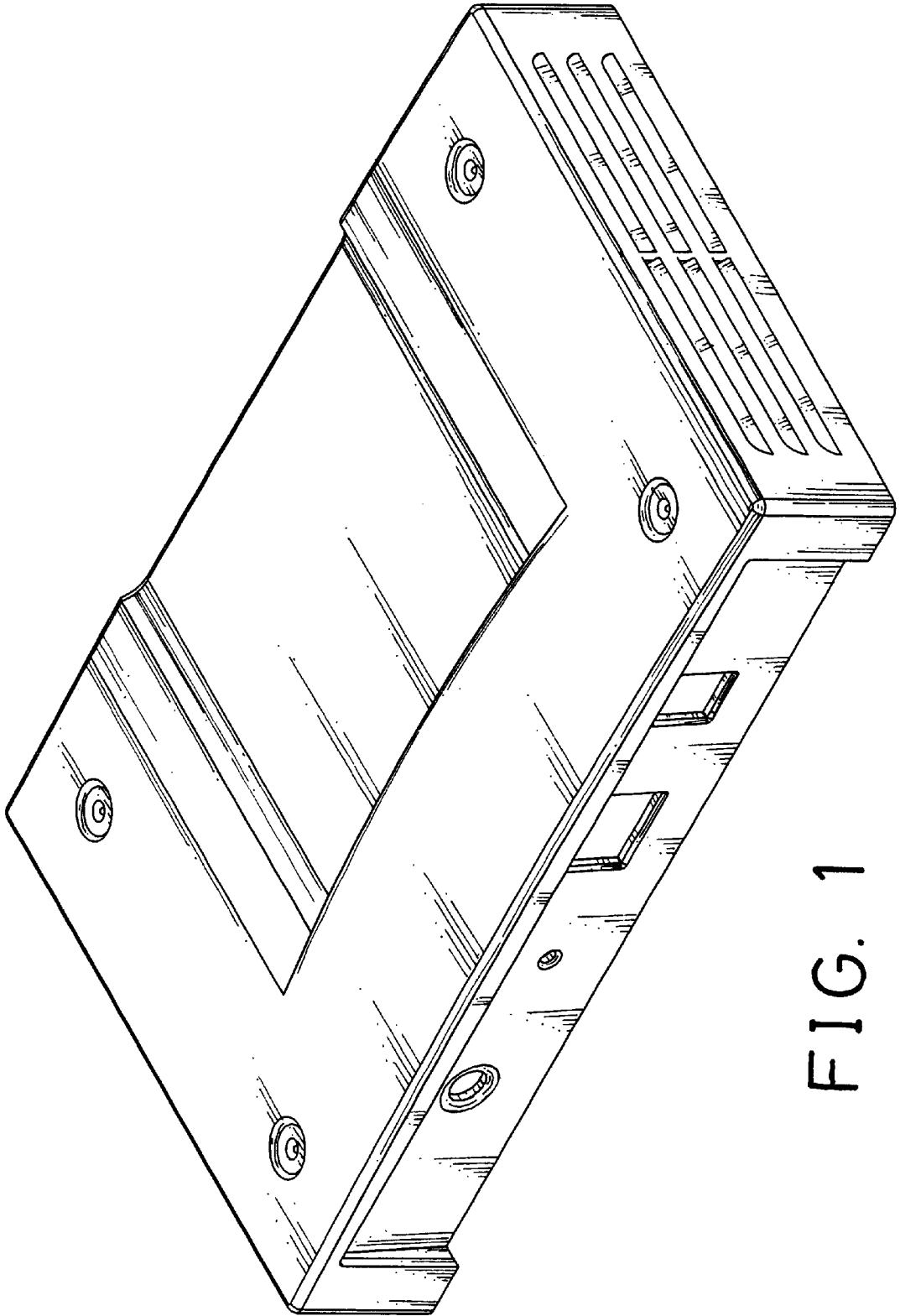


FIG. 1

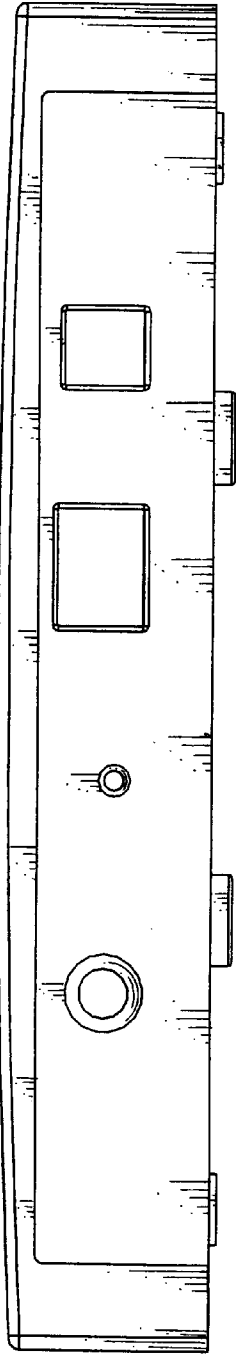


FIG. 2

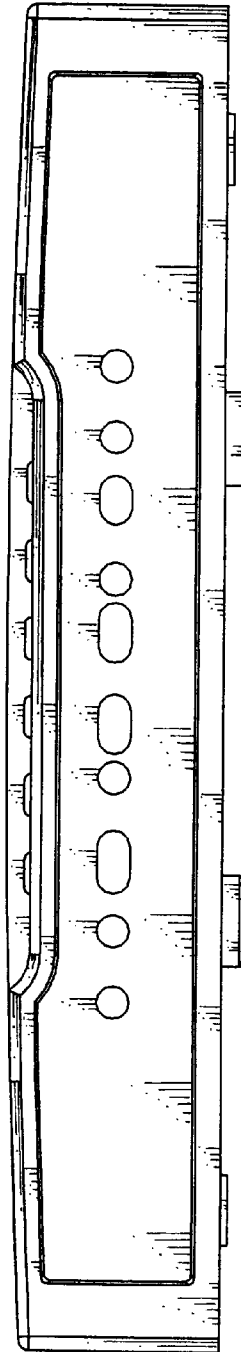


FIG. 3

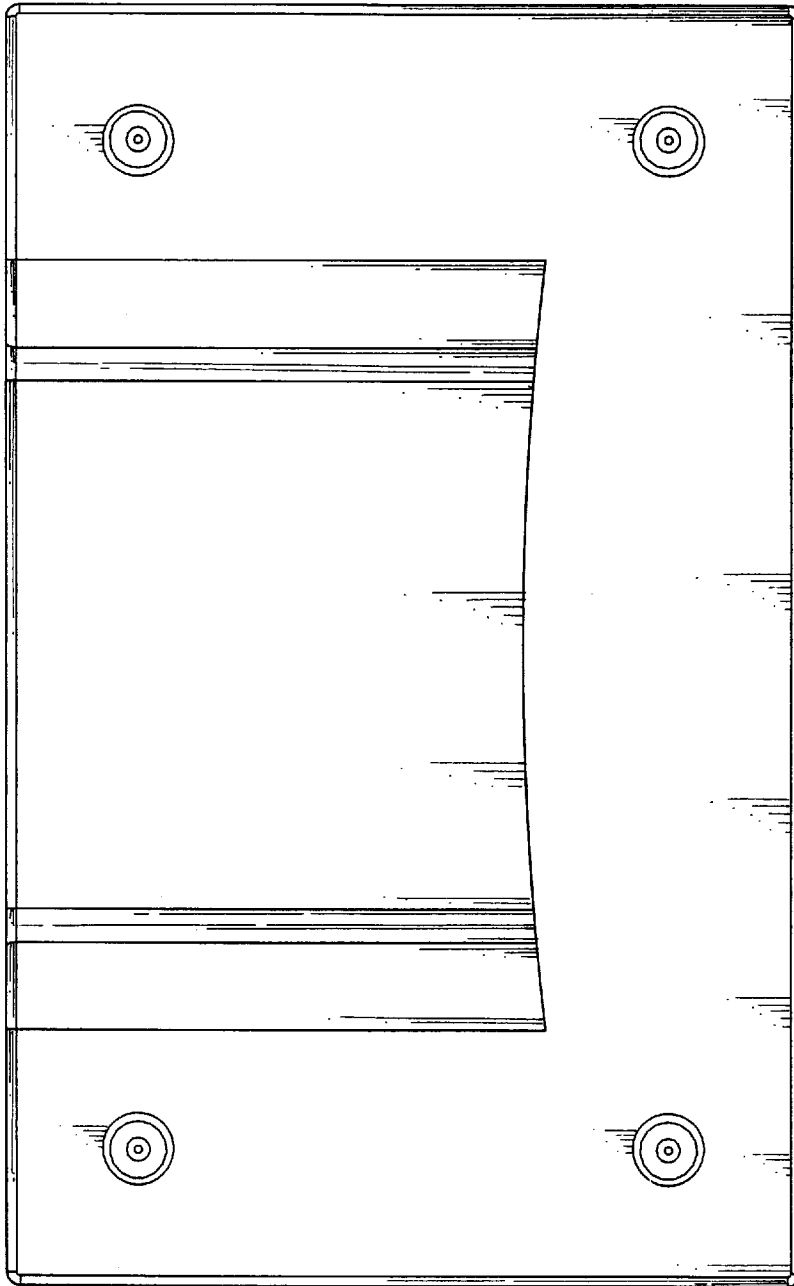


FIG. 4

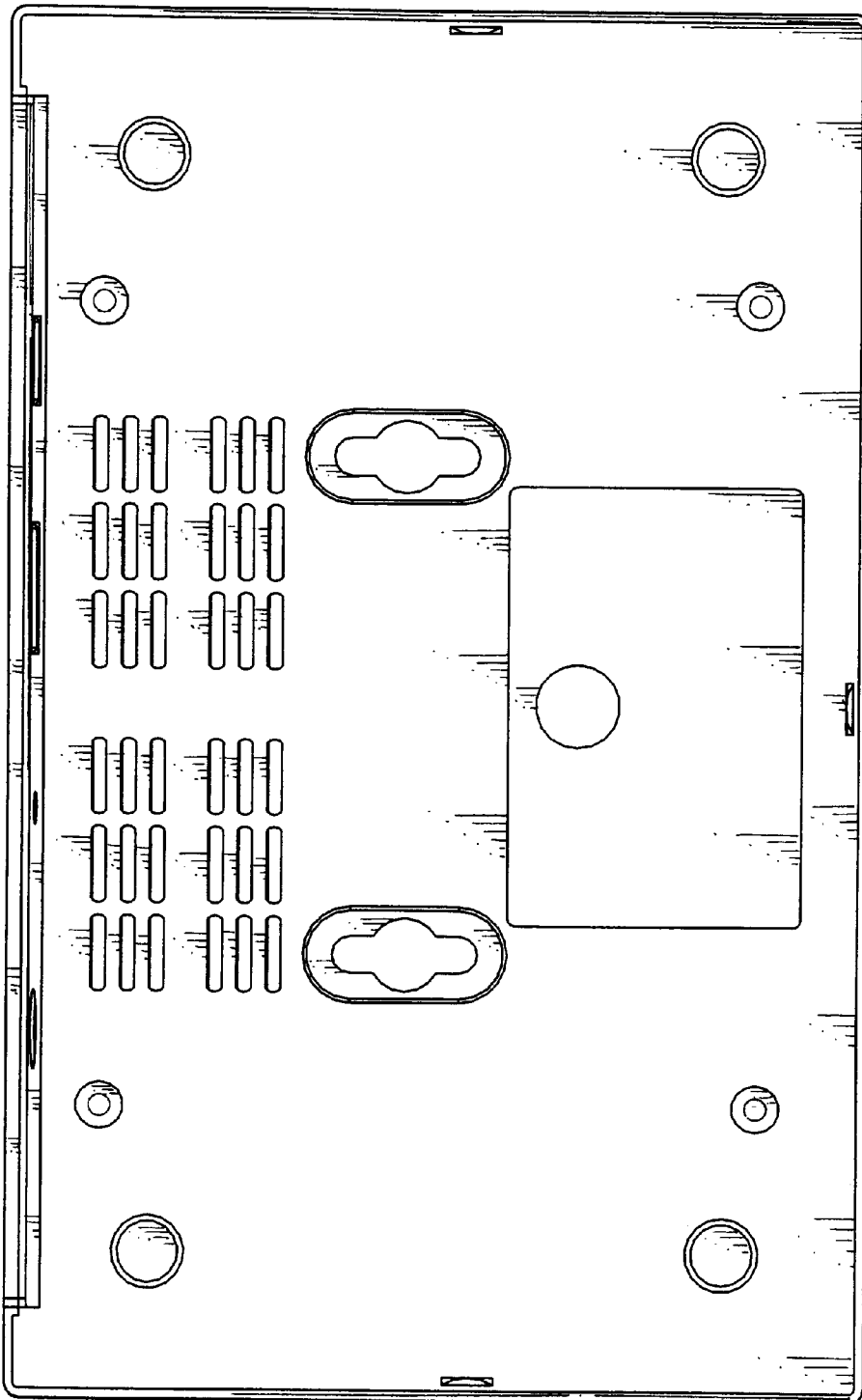


FIG. 5

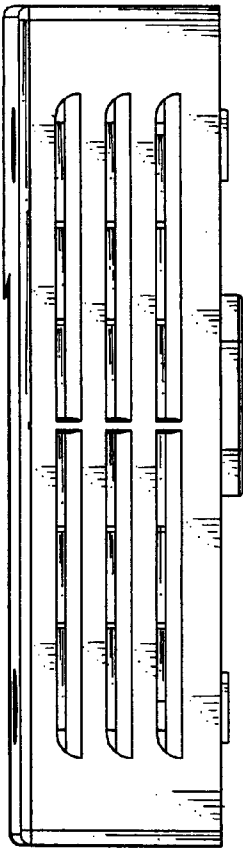


FIG. 6

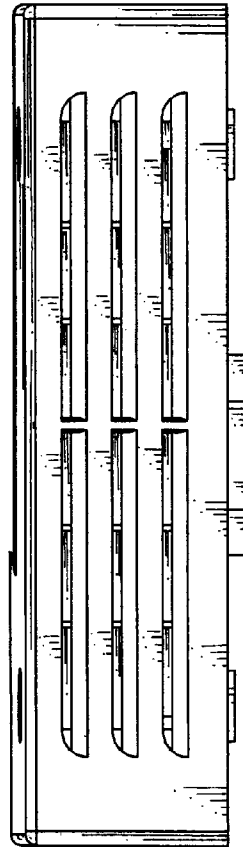


FIG. 7