



US00D792689S

(12) **United States Design Patent**  
**Mokos**

(10) **Patent No.:** **US D792,689 S**

(45) **Date of Patent:** **\*\* Jul. 25, 2017**

(54) **SOLE FOR FOOTWEAR**

D316,773 S \* 5/1991 Valle ..... D2/953  
D321,978 S \* 12/1991 Hatfield ..... D2/953  
D322,881 S \* 1/1992 Bushman ..... D2/953

(Continued)

(71) Applicant: **Cole Haan LLC**, New York, NY (US)

(72) Inventor: **Jeffrey Mokos**, Greenland, NH (US)

(73) Assignee: **COLE HAAN LLC**, New York, NY (US)

**FOREIGN PATENT DOCUMENTS**

CN 204218027 \* 3/2015 ..... A43B 13/14  
CN 104814567 \* 8/2015 ..... A43B 13/22

(\*\*) Term: **15 Years**

**OTHER PUBLICATIONS**

(21) Appl. No.: **29/571,187**

Boothbay Slip on Loafer, ColeHaan.com, [online], [site visited Apr. 18, 2017]. <URL: [http://www.colehaan.com/boothbay-slip-on-loafer-ironstone/C24693.html?dwvar\\_C24693\\_color=Ironstone&dwvar\\_C24693\\_width=>](http://www.colehaan.com/boothbay-slip-on-loafer-ironstone/C24693.html?dwvar_C24693_color=Ironstone&dwvar_C24693_width=>)>.\*

(22) Filed: **Jul. 15, 2016**

(Continued)

(51) **LOC (10) Cl.** ..... **02-04**

(52) **U.S. Cl.**

USPC ..... **D2/953**; D2/951; D2/960

(58) **Field of Classification Search**

USPC ..... D2/902, 906, 908, 916, 918, 925,  
D2/946-962, 977; 36/1, 1.5, 3 B, 22 R,  
36/24.5, 25 R, 28, 32 R, 34 R, 59 C,  
36/67 A, 101-107, 114-116, 117.3, 117.4,  
36/124-136

CPC ..... A43B 13/00; A43B 13/02; A43B 13/023;  
A43B 13/026; A43B 13/04; A43B 13/08;  
A43B 13/10; A43B 13/12; A43B 13/14;  
A43B 13/141; A43B 13/143; A43B  
13/16; A43B 13/18; A43B 13/181; A43B  
13/187; A43B 13/189; A43B 13/20; A43B  
13/22; A43B 13/223; A43B 13/24; A43B  
13/28; A43B 13/30; A43B 13/32; A43B  
13/34; A43B 13/36

See application file for complete search history.

*Primary Examiner* — T. Chase Nelson

*Assistant Examiner* — Jonathan J Han

(74) *Attorney, Agent, or Firm* — Thompson Coburn LLP;  
Alan Norman

(57)

**CLAIM**

The ornamental design for a sole for footwear, as shown and described.

**DESCRIPTION**

FIG. 1 is a lateral perspective view of a sole for footwear showing my new design;

FIG. 2 is a medial perspective view thereof;

FIG. 3 is a lateral side view thereof;

FIG. 4 is a medial side view thereof;

FIG. 5 is a front view thereof;

FIG. 6 is a rear view thereof; and,

FIG. 7 is a bottom plan view thereof.

The broken lines immediately adjacent the photographic area represent unclaimed boundaries of the design. The broken lines showing the remainder of the footwear are for environmental purposes only and form no part of the claimed design. Color and contrast are unclaimed and form no part of the claimed design.

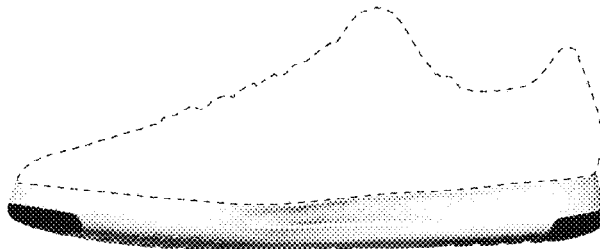
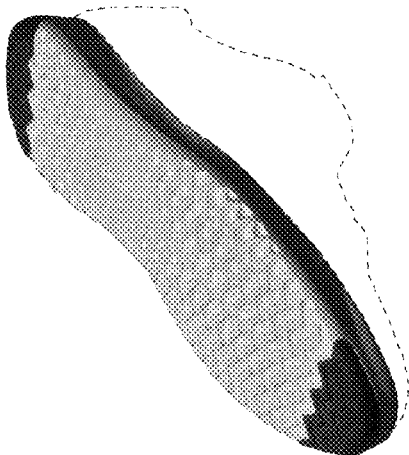
**1 Claim, 7 Drawing Sheets**

(56)

**References Cited**

**U.S. PATENT DOCUMENTS**

3,971,145 A \* 7/1976 Stegerwald ..... A43B 5/10  
36/32 R  
D247,998 S \* 5/1978 Lobosco ..... D2/953  
D253,319 S \* 11/1979 Dassler ..... D2/953  
D255,059 S \* 5/1980 Riley ..... D2/908  
D255,171 S \* 6/1980 Bowers ..... D2/908



(56)

## References Cited

## U.S. PATENT DOCUMENTS

|              |      |         |                        |                        |
|--------------|------|---------|------------------------|------------------------|
| D324,448     | S *  | 3/1992  | Blissett .....         | D2/953                 |
| D333,555     | S *  | 3/1993  | Hatfield .....         | D2/953                 |
| D394,946     | S *  | 6/1998  | Gaudio .....           | D2/960                 |
| D408,972     | S *  | 5/1999  | Greenberg .....        | D2/951                 |
| D450,178     | S *  | 11/2001 | Boncutter .....        | D2/916                 |
| D540,514     | S *  | 4/2007  | Hendricks .....        | D2/916                 |
| D540,516     | S *  | 4/2007  | Weitzman .....         | D2/951                 |
| D604,482     | S *  | 11/2009 | Fletcher .....         | D2/917                 |
| D638,616     | S *  | 5/2011  | Gibson .....           | D2/951                 |
| D641,145     | S *  | 7/2011  | Della Valle .....      | D2/953                 |
| D659,358     | S *  | 5/2012  | Van Zyll De Jong ..... | D2/951                 |
| 8,186,079    | B2 * | 5/2012  | Carboy .....           | A43B 13/14<br>36/102   |
| D666,391     | S *  | 9/2012  | Van Zyll De Jong ..... | D2/951                 |
| D702,025     | S *  | 4/2014  | Della Valle .....      | D2/908                 |
| D713,133     | S *  | 9/2014  | Della Valle .....      | D2/944                 |
| D729,503     | S *  | 5/2015  | Carroll .....          | D2/902                 |
| D731,761     | S *  | 6/2015  | Carroll .....          | D2/907                 |
| D740,002     | S *  | 10/2015 | Della Valle .....      | D2/944                 |
| D754,424     | S *  | 4/2016  | Spring .....           | D2/960                 |
| D776,412     | S *  | 1/2017  | Carboy .....           | D2/951                 |
| 2010/0281714 | A1 * | 11/2010 | Carboy .....           | A43B 13/223<br>36/25 R |
| 2013/0118036 | A1 * | 5/2013  | Gibson .....           | A43B 13/223<br>36/103  |
| 2015/0181976 | A1 * | 7/2015  | Cooper .....           | A43B 13/187<br>36/28   |

## OTHER PUBLICATIONS

Men's Pinch Weekender, ColeHaan.com, [online], [site visited Apr. 18, 2017]. <URL: [http://www.colehaan.com/mens-pinch-weekender-cornwall-blue-madras/C24800.html?dwvar\\_C24800\\_color=Cornwall%20Blue%20Madras&dwvar\\_C24800\\_width=>](http://www.colehaan.com/mens-pinch-weekender-cornwall-blue-madras/C24800.html?dwvar_C24800_color=Cornwall%20Blue%20Madras&dwvar_C24800_width=>)>.\*

Men's GrandPro Tennis Sneaker, ColeHaan.com, [online], [site visited Apr. 18, 2017]. <URL: [http://www.colehaan.com/mens-grandpro-tennis-sneaker-cornwall-blue-nubuck/C25160.html?dwvar\\_C25160\\_color=Cornwall%20Blue%20Nubuck&dwvar\\_C25160\\_width=>](http://www.colehaan.com/mens-grandpro-tennis-sneaker-cornwall-blue-nubuck/C25160.html?dwvar_C25160_color=Cornwall%20Blue%20Nubuck&dwvar_C25160_width=>)>.\*

Cole Haan Men's Grandpro Tennis Fashion Sneaker, Amazon.com, Date first available at Amazon.com: Jun. 11, 2016, [online], [site visited Apr. 18, 2017]. <URL: <https://www.amazon.com/Cole-Haan-Grandpro-Tennis-Fashion/dp/B01EBCUXTU>>.\*

Finally, a Performance Sneaker You Can Wear With a Suit, Esquire.com, by Jonathan Evans, May 5, 2016, [online], [site visited Apr. 18, 2017]. <URL:<http://www.esquire.com/style/news/a44624/colehaan-grand-pro/>>.\*

Here's How You Can Buy Nike's First Two HyperAdapt 1.0 Colorways, FootWearNEws.com, by Peter Verry / Nov. 29, 2016, [online], [site visited Apr. 18, 2017]. <URL: <http://footwearnews.com/2016/focus/athletic-outdoor/nike-hyperadapt-1-0-sneakers-release-new-york-city-280590/>>.\*

\* cited by examiner

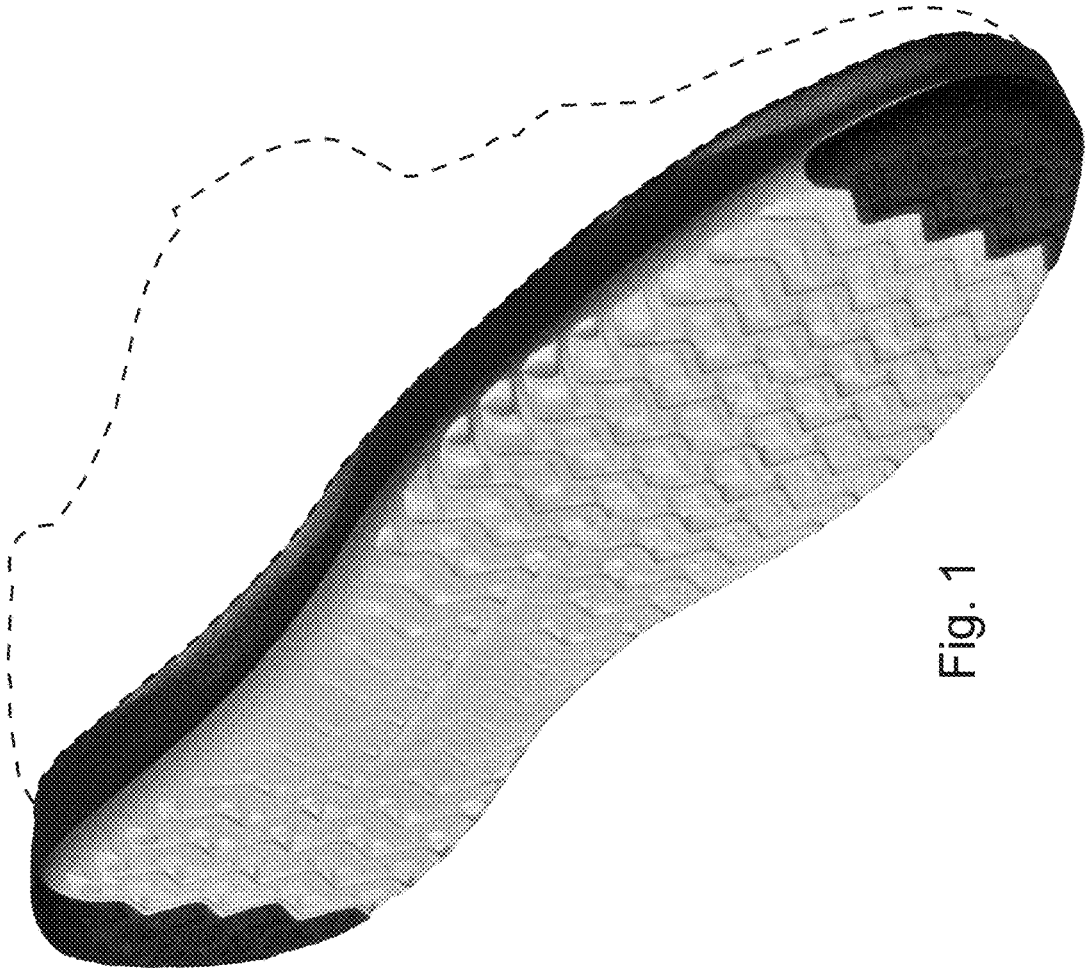


Fig. 1

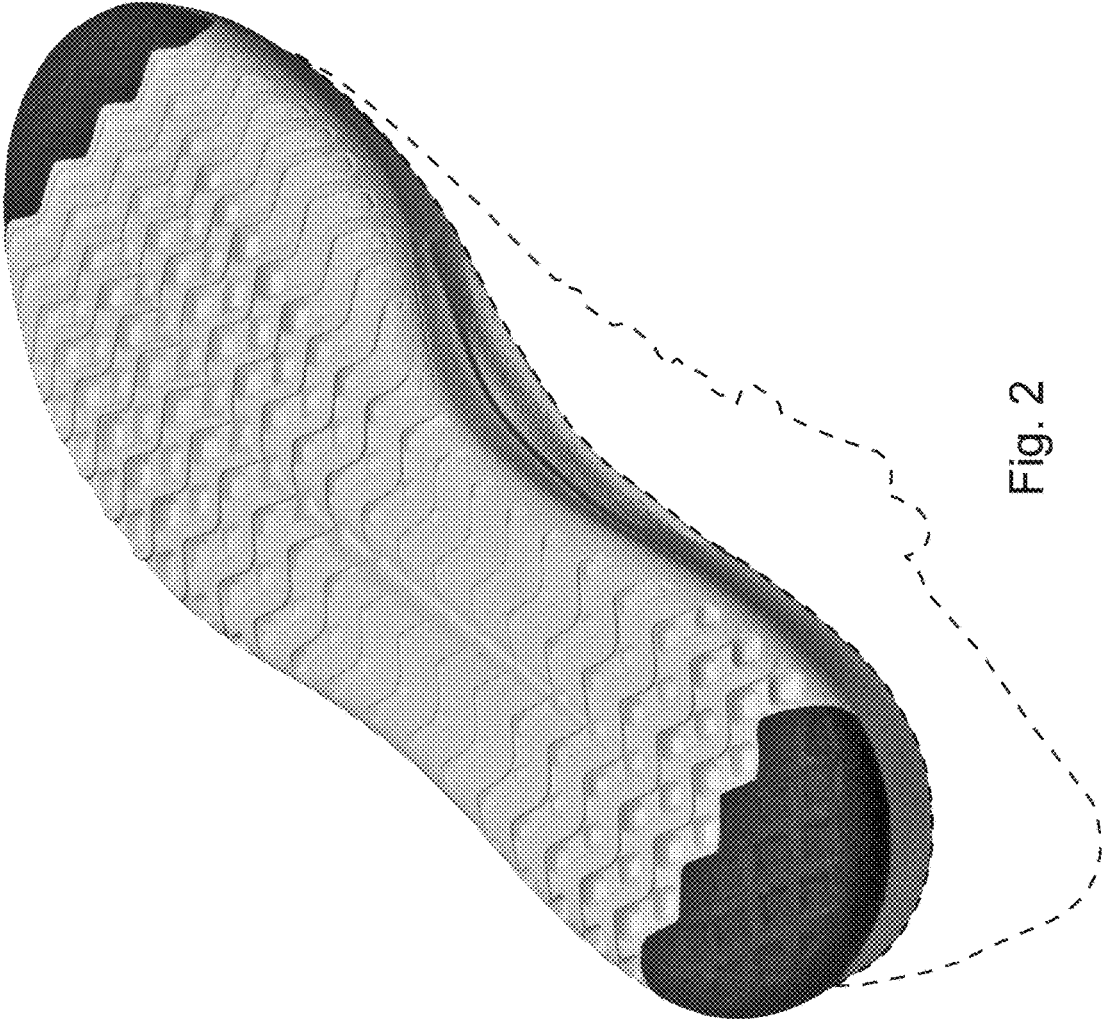


Fig. 2

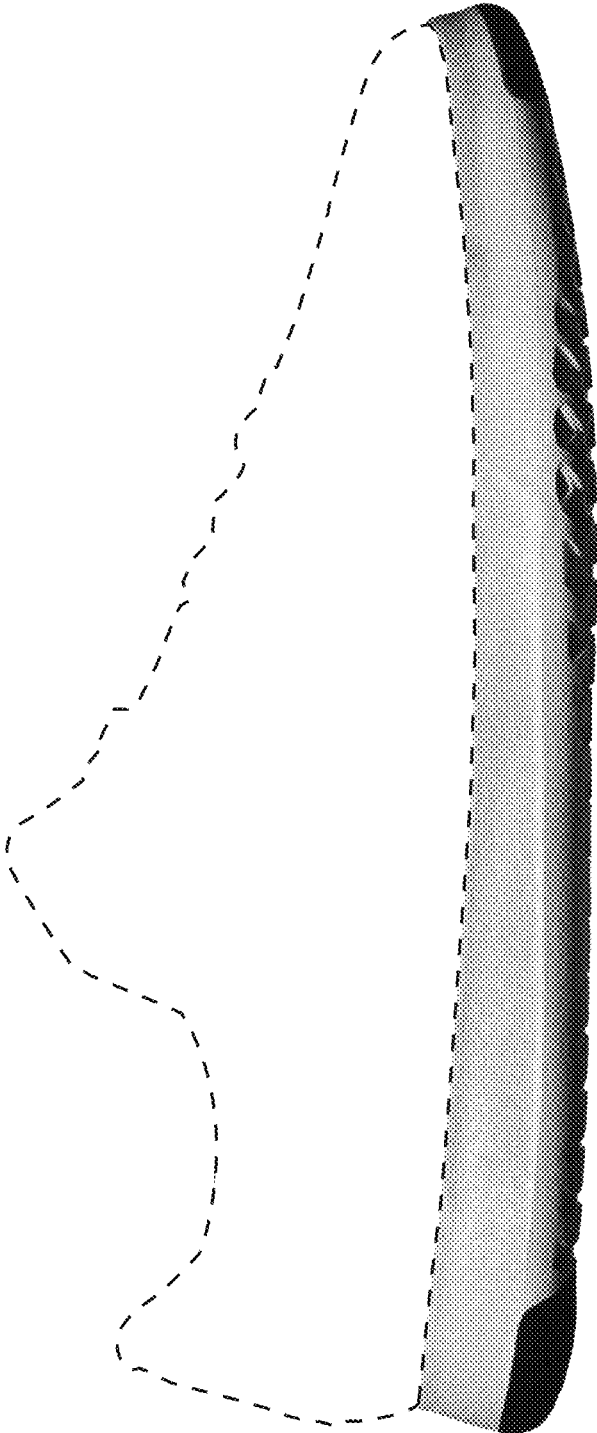


Fig. 3

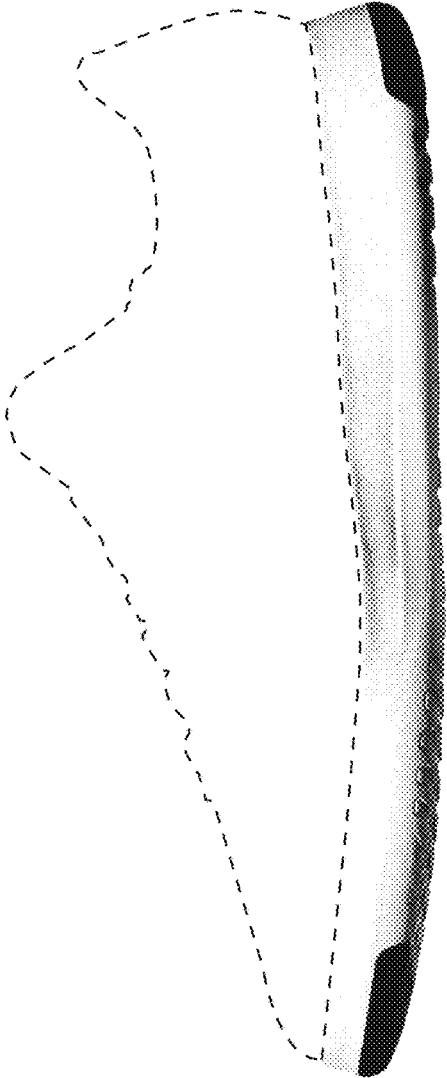


Fig. 4

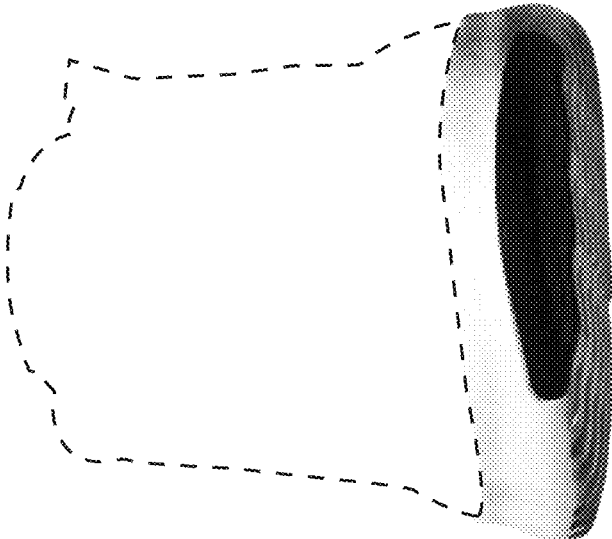


Fig. 5

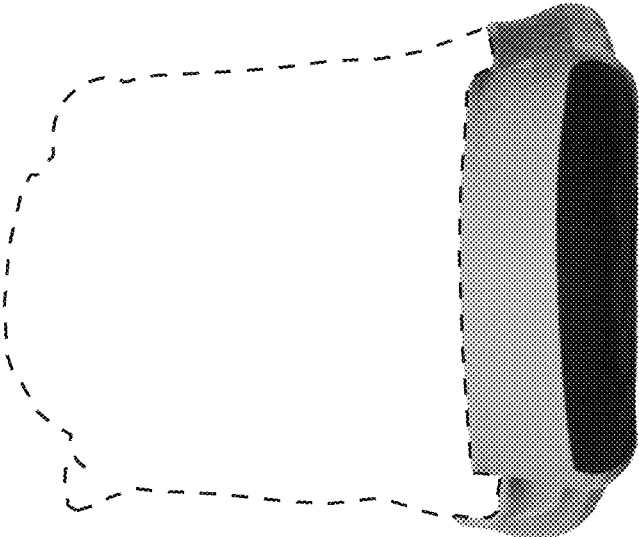


Fig. 6



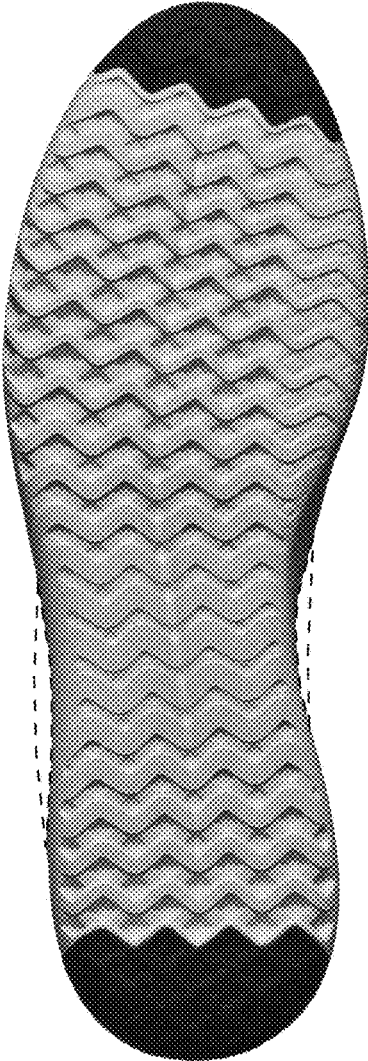


Fig. 7