

- [54] **CREDENZA**
[75] Inventor: Fuller Robinson, Jalisco, Mexico
[73] Assignee: Standard Desk Limited
[**] Term: 14 Years
[21] Appl. No.: 663,991
[22] Filed: Mar. 4, 1976

Related U.S. Application Data

- [62] Division of Ser. No. 448,506, Mar. 6, 1974.
[51] Int. Cl. D6-04
[52] U.S. Cl. D6/164
[58] Field of Search D6/153, 158, 159, 164,
D6/166, 181, 186, 162

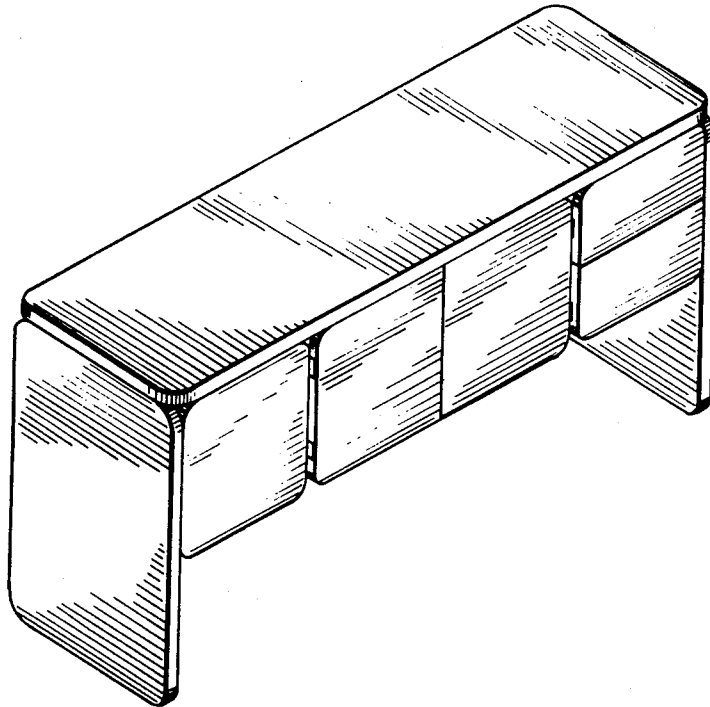
- [56] **References Cited**
U.S. PATENT DOCUMENTS
D. 235,720 7/1975 Ball D6/162
D. 235,721 7/1975 Ball D6/162

OTHER PUBLICATIONS
Interiors, Aug. 1973, p. 109, Credenza bottom center by Lehigh-Leopold.

Primary Examiner—Bruce W. Dunkins
Attorney, Agent, or Firm—Robert F. Rotella

- [57] **CLAIM**
The ornamental design for credenza, as shown.

DESCRIPTION
FIG. 1 is a front perspective view of a credenza showing my design; and
FIG. 2 is a rear perspective view thereof.



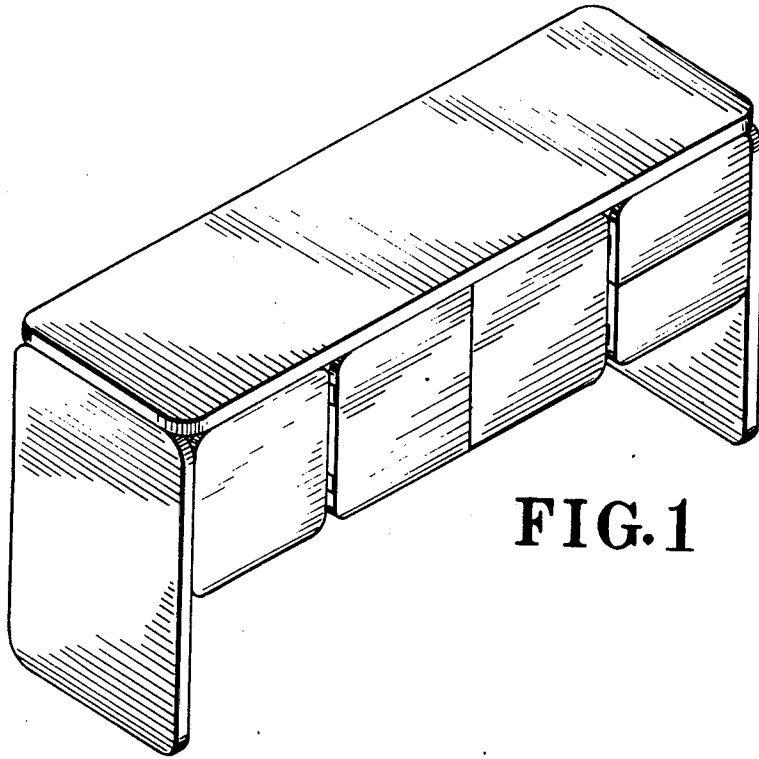


FIG. 1

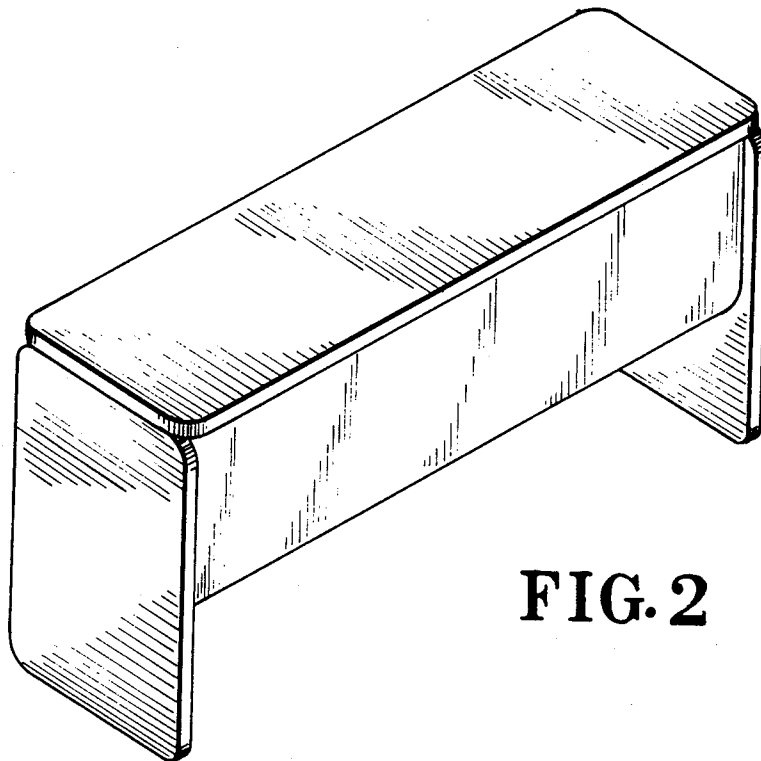


FIG. 2