



US00D763713S

(12) **United States Design Patent**  
**Martel et al.**

(10) **Patent No.:** **US D763,713 S**

(45) **Date of Patent:** **\*\* Aug. 16, 2016**

(54) **PORTABLE TEST INSTRUMENT**

(71) Applicant: **EXFO INC.**, Quebec (CA)

(72) Inventors: **Alain Martel**, Montreal (CA); **Pascal Recoura-Massaquant**, Quebec (CA); **Hicham Maalouf**, Dollard-des-Ormeaux (CA)

(73) Assignee: **EXFO INC.**, Québec, QC

(\*\*) Term: **15 Years**

(21) Appl. No.: **29/537,036**

(22) Filed: **Aug. 21, 2015**

**Related U.S. Application Data**

(62) Division of application No. 29/482,623, filed on Feb. 20, 2014, now Pat. No. Des. 739,277.

(51) **LOC (10) CI.** ..... **10-04**

(52) **U.S. CI.**

USPC ..... **D10/78**; D10/75; D10/79

(58) **Field of Classification Search**

USPC ..... D10/75, 78, 79

CPC ..... H04N 7/17309; H04N 17/00; H04N

21/42676; H04N 21/44209; H04N 21/44245;

H04N 21/6118; H04N 21/6168; H04N

21/6543; H04L 12/2697; H04L 43/50; H04Q

2213/1332; H04Q 2213/1316; H04Q

2213/13166; H04Q 2213/13003; H04M 3/30

See application file for complete search history.

(56) **References Cited**

**U.S. PATENT DOCUMENTS**

- D430,048 S 8/2000 Hoofnagle et al.
- D444,085 S 6/2001 Wrisley et al.
- D474,413 S 5/2003 Hoofnagle et al.
- 6,738,454 B2 5/2004 Mohammadian et al.

- 6,801,307 B2 10/2004 Ziegler et al.
- D510,533 S 10/2005 Hoofnagle
- D543,475 S 5/2007 Janky
- D552,496 S 10/2007 Janky et al.
- 7,302,361 B2 11/2007 Baleta et al.
- D569,749 S 5/2008 Silverio et al.
- D596,969 S 7/2009 Igelmund
- D640,580 S 6/2011 Bibeau et al.
- D714,171 S 9/2014 Hoofnagle et al.
- D725,519 S \* 3/2015 Drew ..... D10/75

**OTHER PUBLICATIONS**

EXFO Inc., Specification Sheet, FTB-200 Compact Platform, Mar. 2012, pp. 1-10, Canada.

(Continued)

*Primary Examiner* — Antoine D Davis

(74) *Attorney, Agent, or Firm* — Norton Rose Fullbright Canada LLP; Alexander Dacust

(57) **CLAIM**

The ornamental design for a portable test instrument, as shown and described.

**DESCRIPTION**

FIG. 1 is a first oblique view of a first variant of a portable test instrument, taken from the front and left side, showing our new design;

FIG. 2 is another oblique view thereof, taken from the front and right side;

FIG. 3 is a front elevation view thereof,

FIG. 4 is a rear elevation view thereof,

FIG. 5 is a bottom plan view thereof,

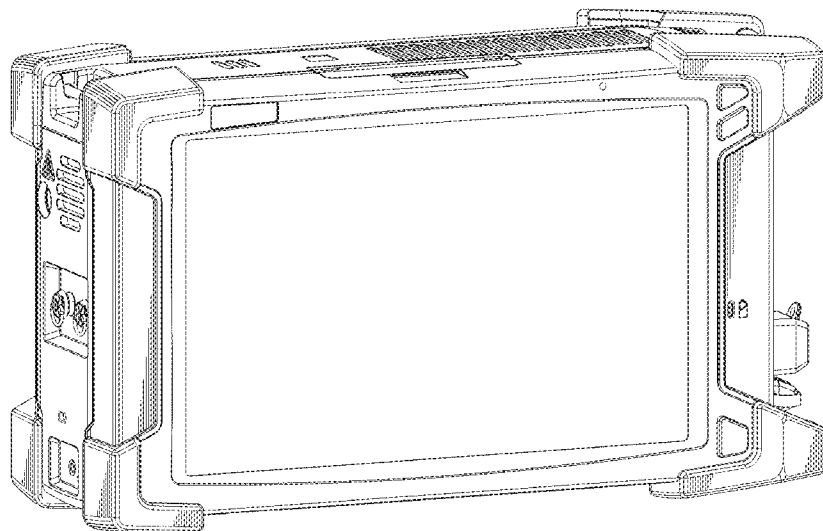
FIG. 6 is a top plan view thereof,

FIG. 7 is a left side elevation view thereof; and,

FIG. 8 is a right side elevation view thereof.

The broken line showing of structural features is included for the purpose of illustrating non claimed subject matter and forms no part of the claimed design.

**1 Claim, 7 Drawing Sheets**



(56)

**References Cited**

OTHER PUBLICATIONS

EXFO Inc., Specification Sheet, FTB-1 Platform, Oct. 2012, pp. 1-8,  
Canada.

EXFO Inc., Specification Sheet, FTB-500 Platform, Apr. 2012, pp.  
1-9, Canada.

\* cited by examiner

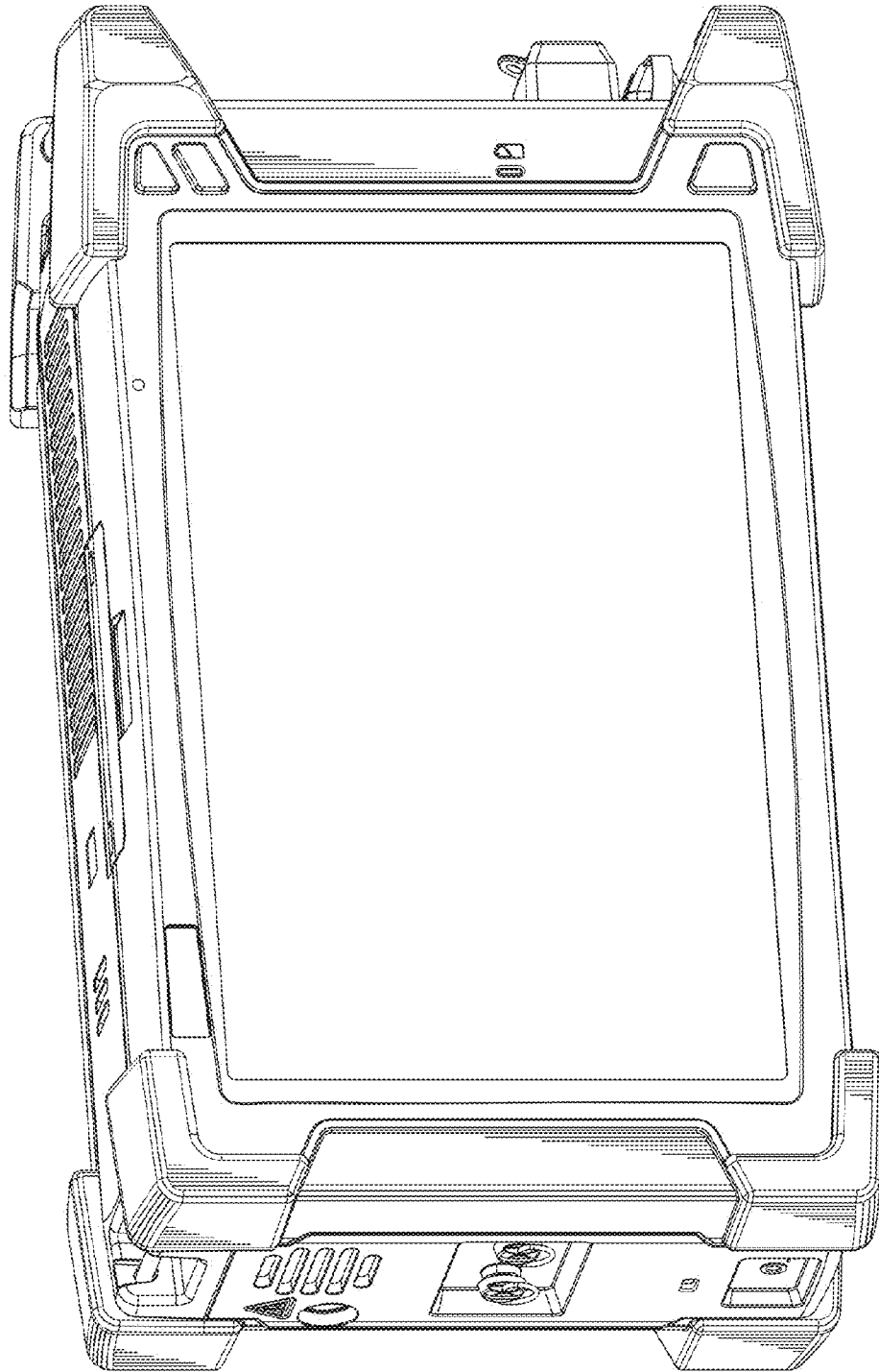


FIG. 1

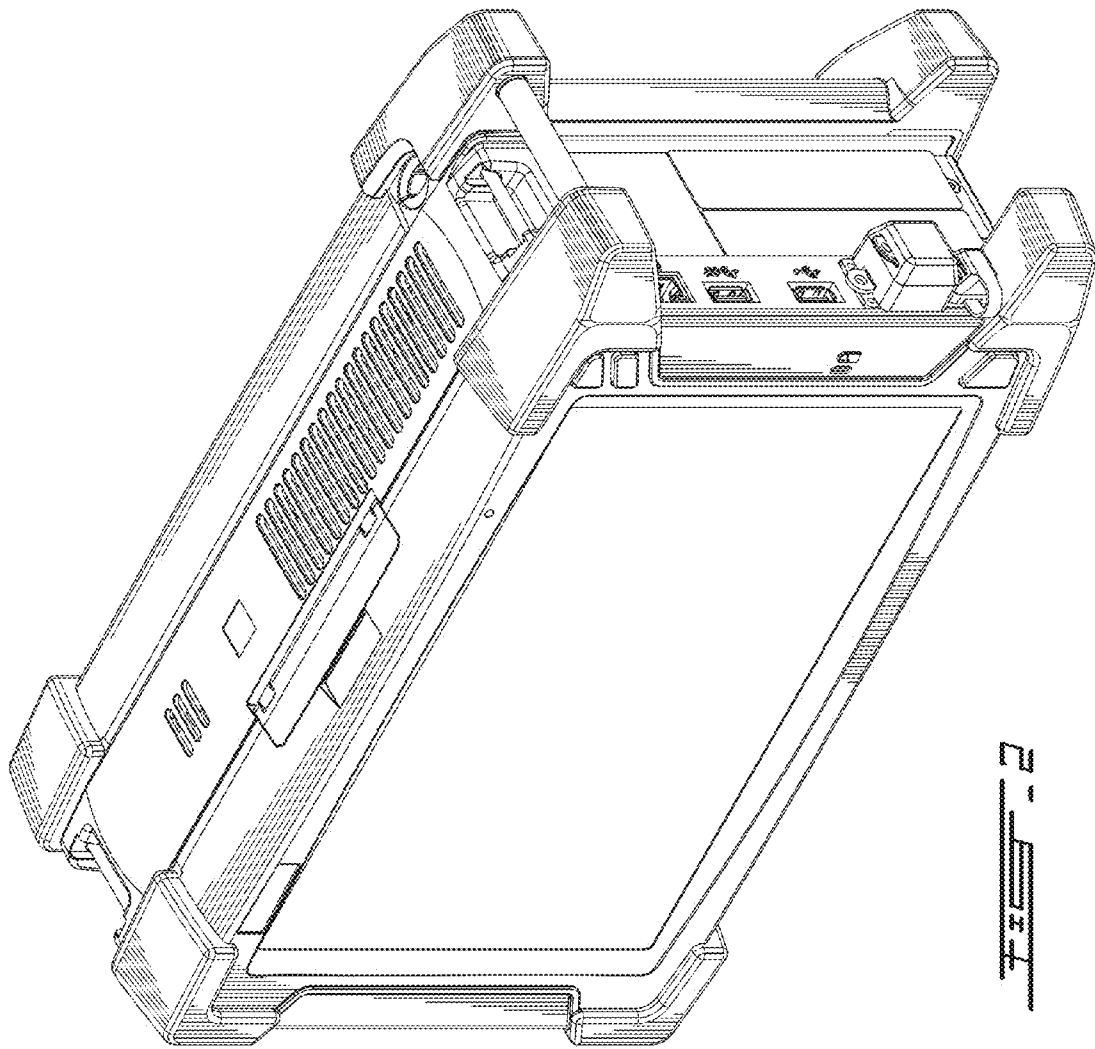


FIG. 2

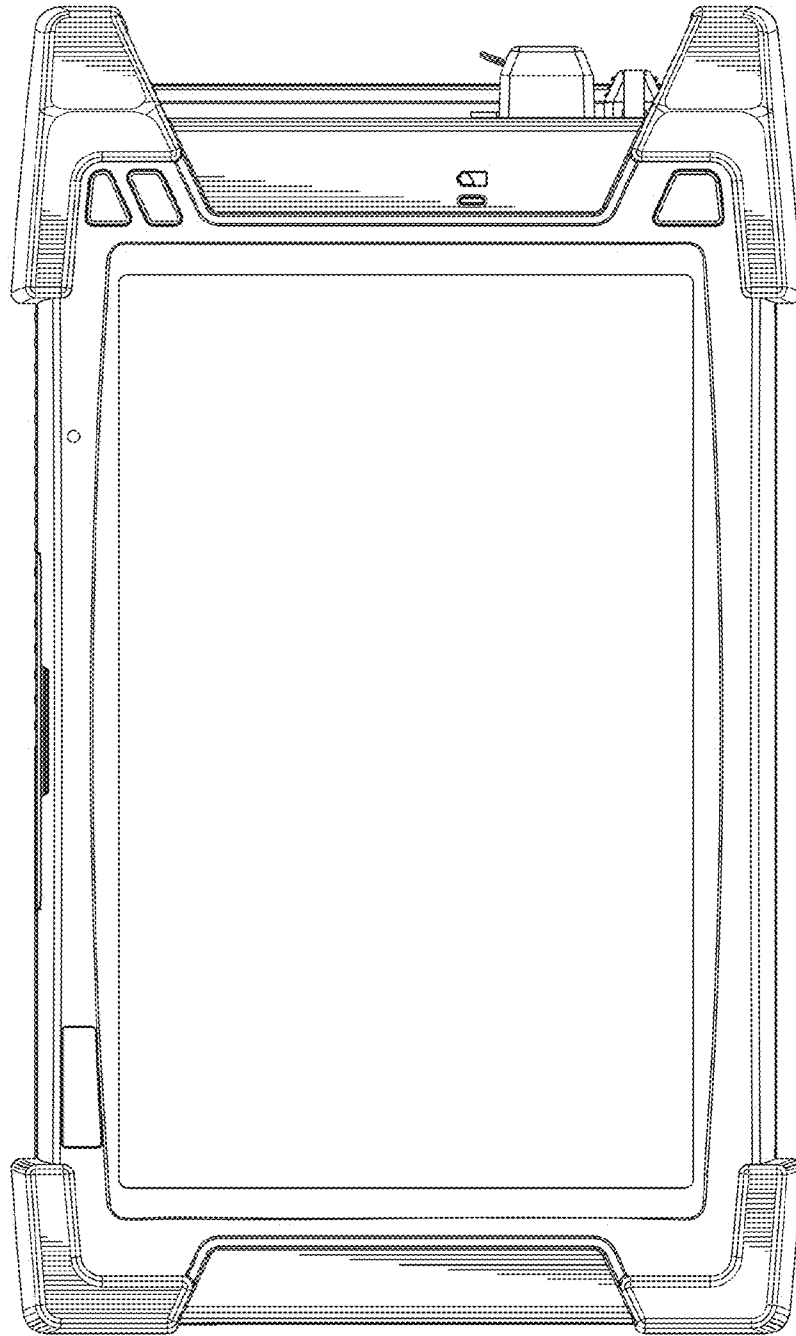


FIG. 3

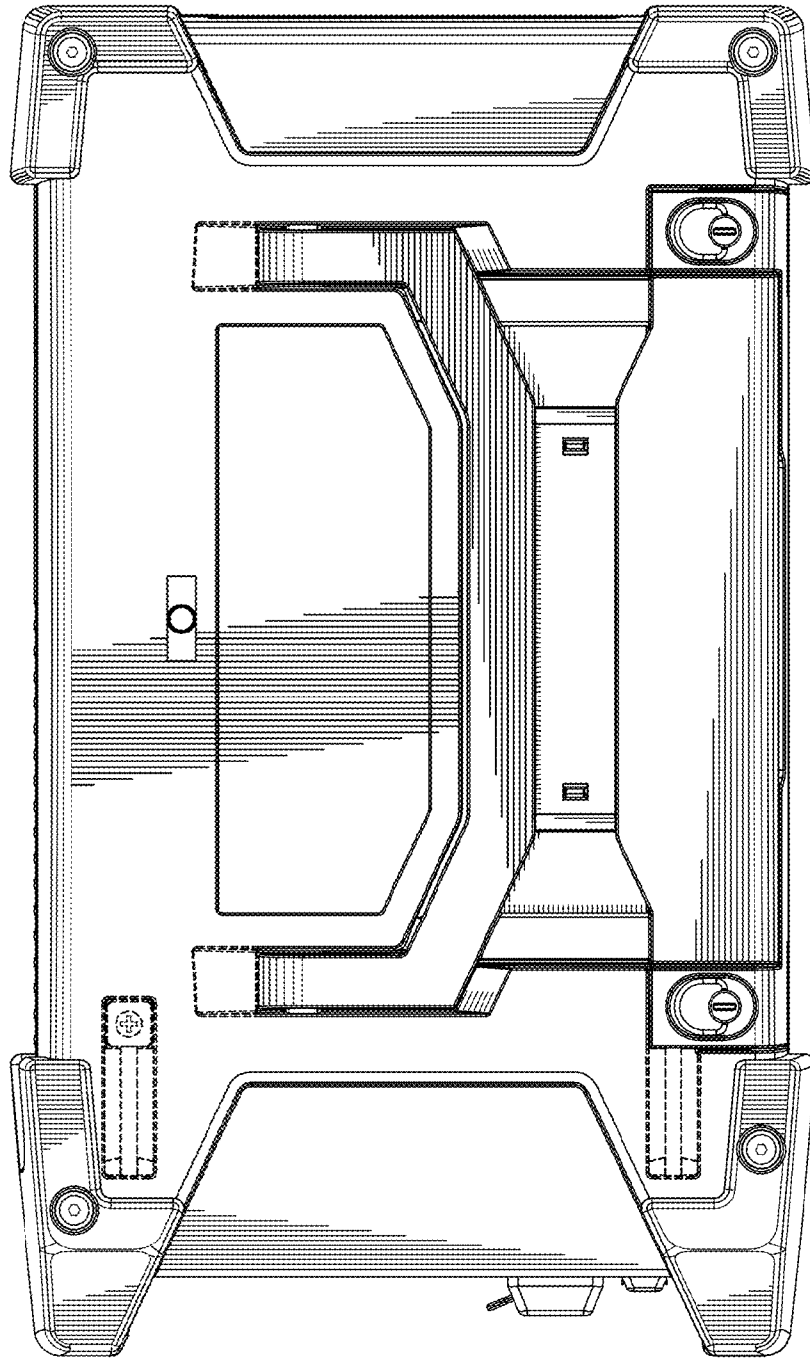


FIG. 4

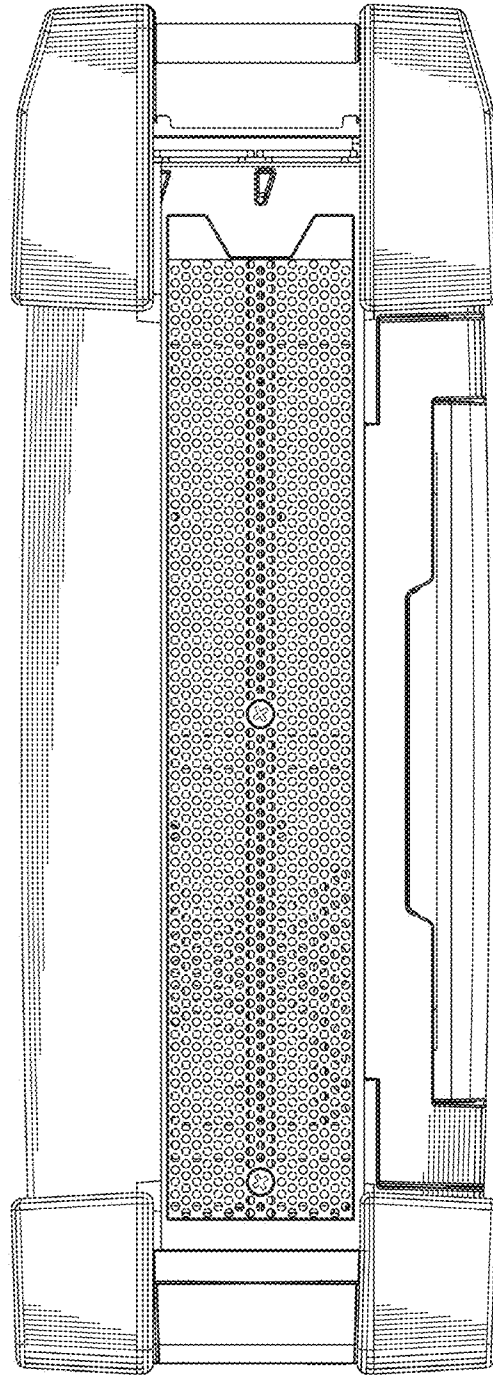


FIG. 5

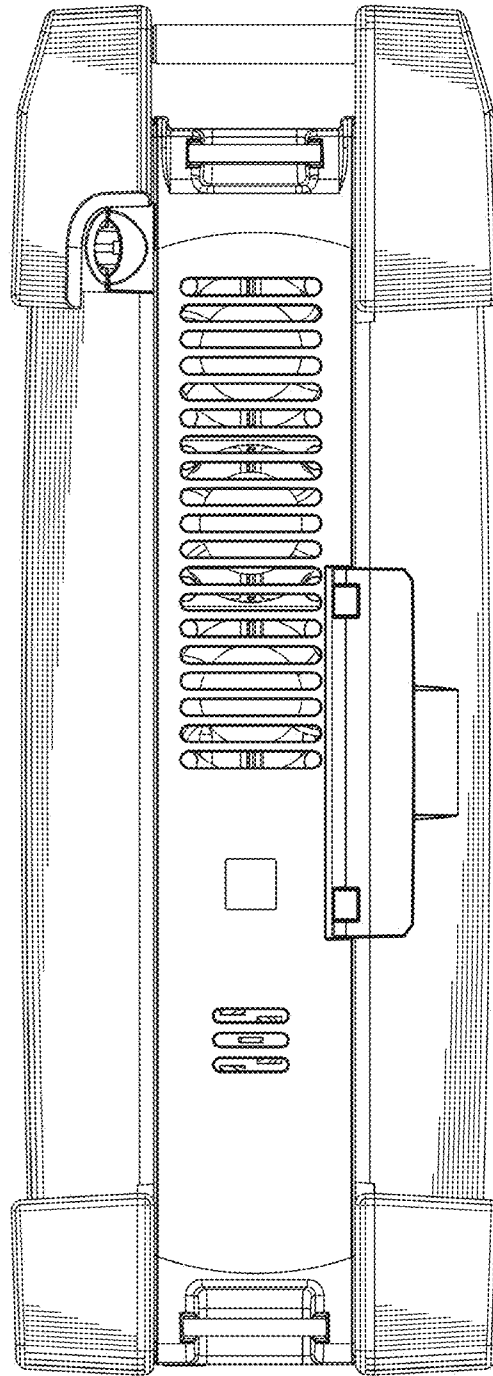


FIG. 6



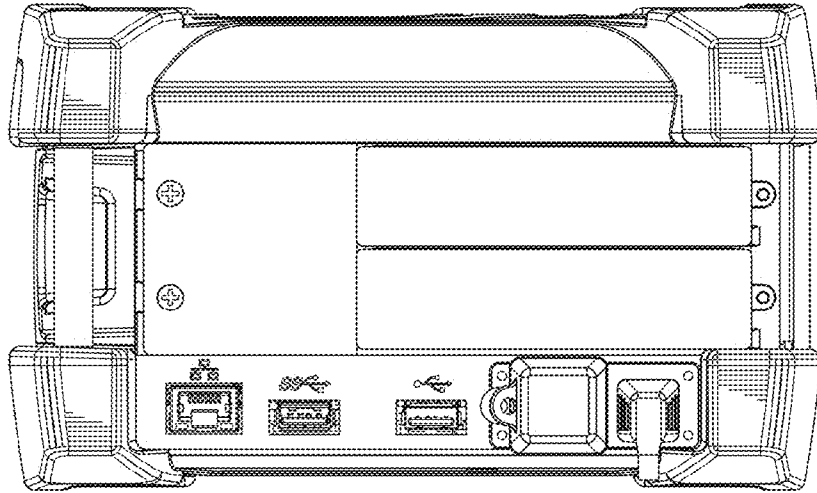


FIG. 8

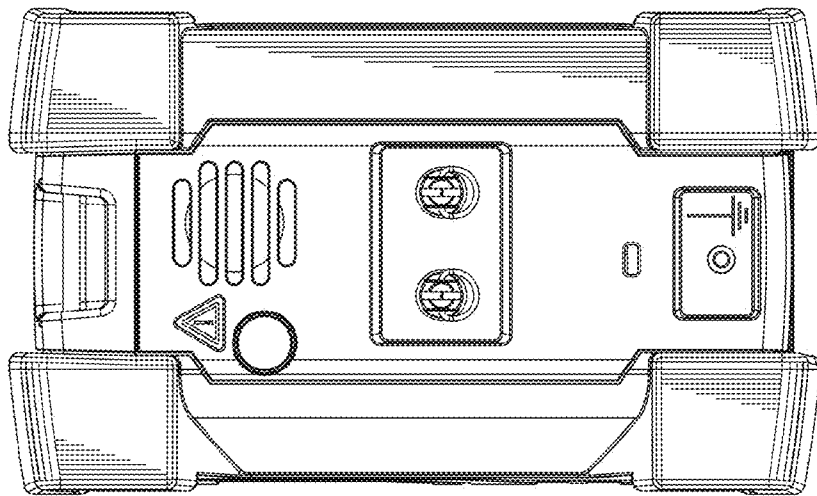


FIG. 7