



US00D327710S

United States Patent [19]

[11] Patent Number: **Des. 327,710**

Hofman

[45] Date of Patent: **** Jul. 7, 1992**

[54] **SLIDABLE DISPLAY SIGN**

4,217,713	8/1980	Greenberger	40/491
4,768,299	9/1988	Ackeret	40/490
4,776,119	10/1988	Ackeret	40/490

[75] Inventor: **James Hofman, Lake Bluff, Ill.**

Primary Examiner—Wallace R. Burke
Assistant Examiner—Marcus Jackson

[73] Assignee: **Eldon Industries, Inc., Inglewood, Calif.**

[**] Term: **14 Years**

[57] CLAIM

[21] Appl. No.: **401,658**

The ornamental design for a slidable display sign, as shown and described.

[22] Filed: **Sep. 6, 1989**

DESCRIPTION

[52] U.S. Cl. **D20/40; D20/10**

FIG. 1 is a front elevational view of a slidable display sign showing my new design with the broken line showing for illustrative purposes only and forming no part of the claimed design;

[58] Field of Search **D20/10, 22, 40, 41, D20/42, 43, 44; 40/490, 491, 488, 489, 156, 64, 65**

FIG. 2 is a front elevational view of a second embodiment;

[56] References Cited

U.S. PATENT DOCUMENTS

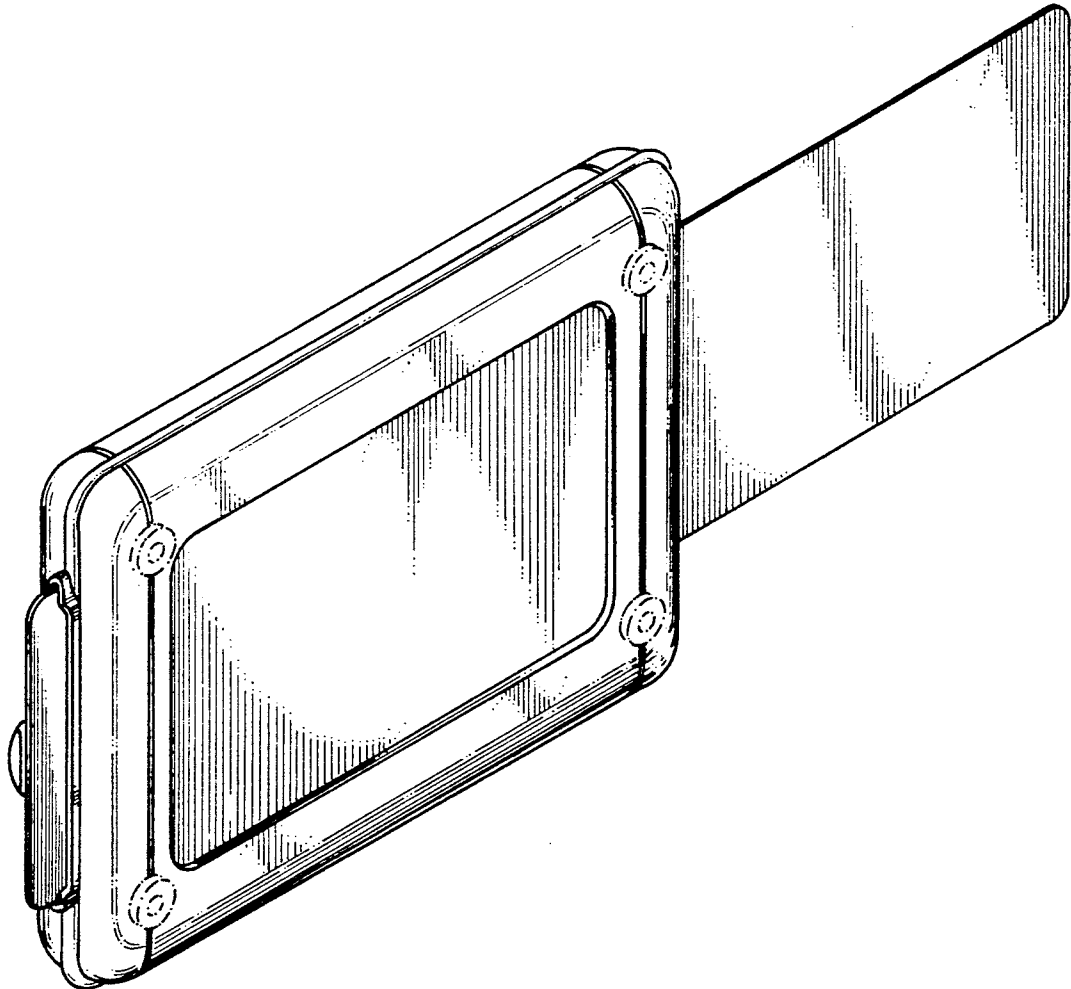
D. 314,016	1/1991	Mitchell	D20/43
3,748,767	7/1973	Glescke	40/65
3,769,727	11/1973	Kent, Jr.	40/62
3,914,890	11/1975	Behlen, Jr.	40/64 R
3,991,495	11/1976	Wilson	40/64 R
4,149,330	4/1979	Huff	40/491

FIG. 3 is a rear elevational view of the embodiments shown in FIGS. 1 and 2 thereof;

FIG. 4 is a top plan view thereof;

FIG. 5 is a left side elevational view thereof, with the right side being a mirror image; and,

FIG. 6 is a perspective view of the embodiment shown in FIG. 1 thereof.



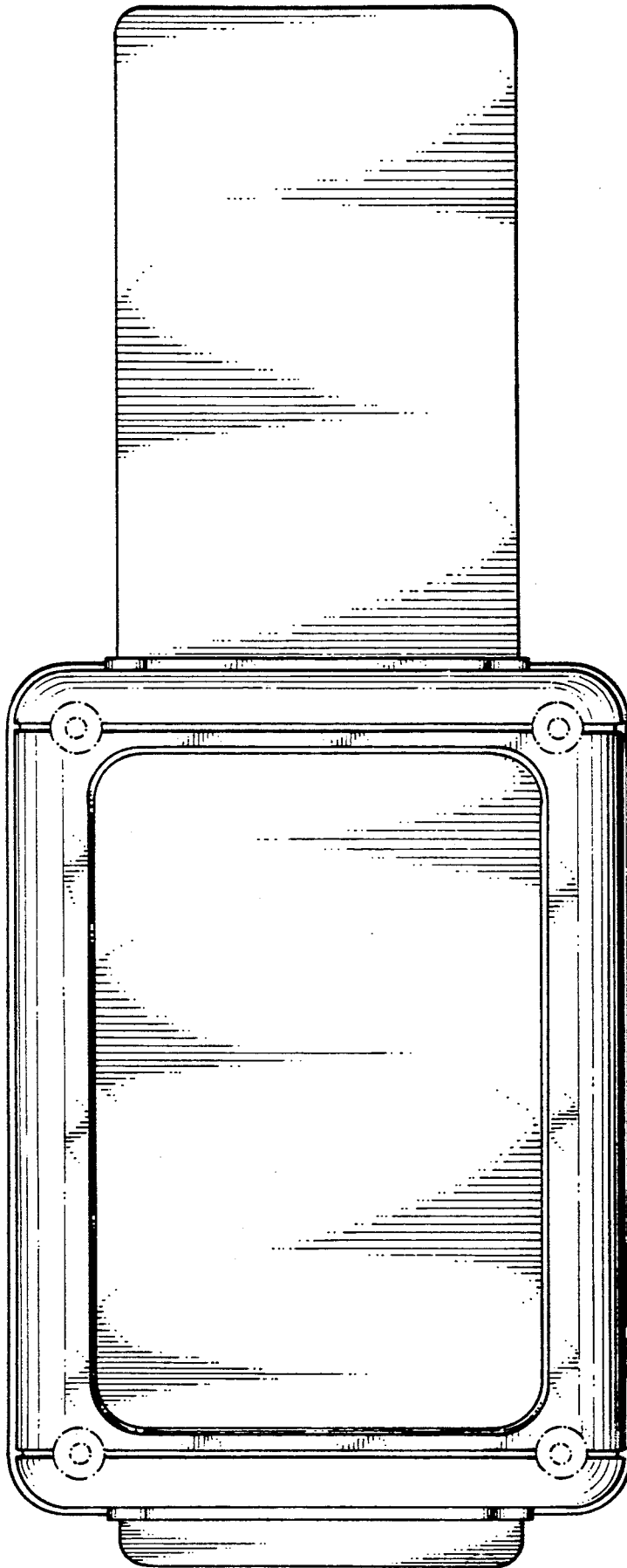


FIG. 1

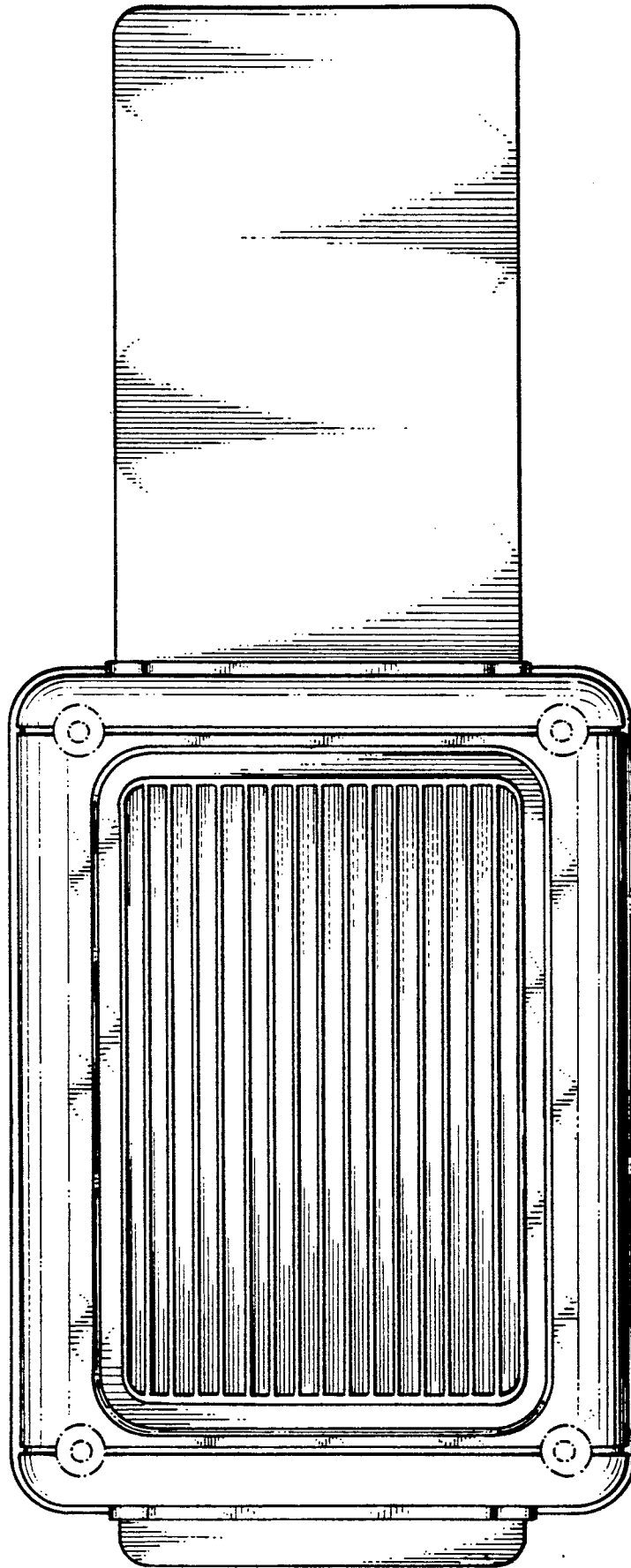


FIG. 2

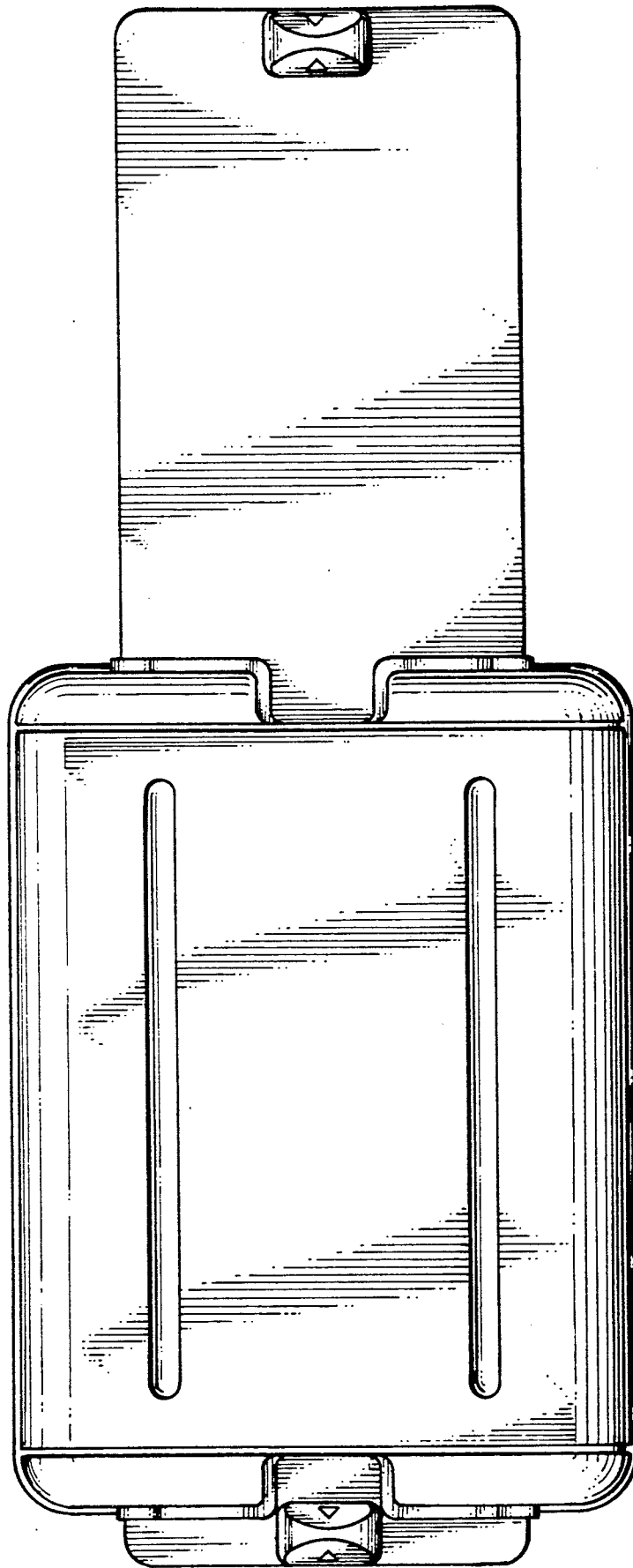


FIG. 3



FIG. 4

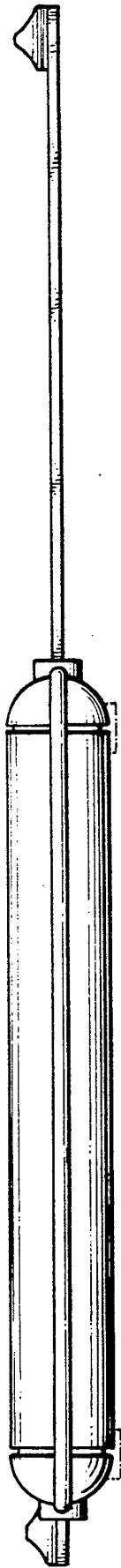


FIG. 5

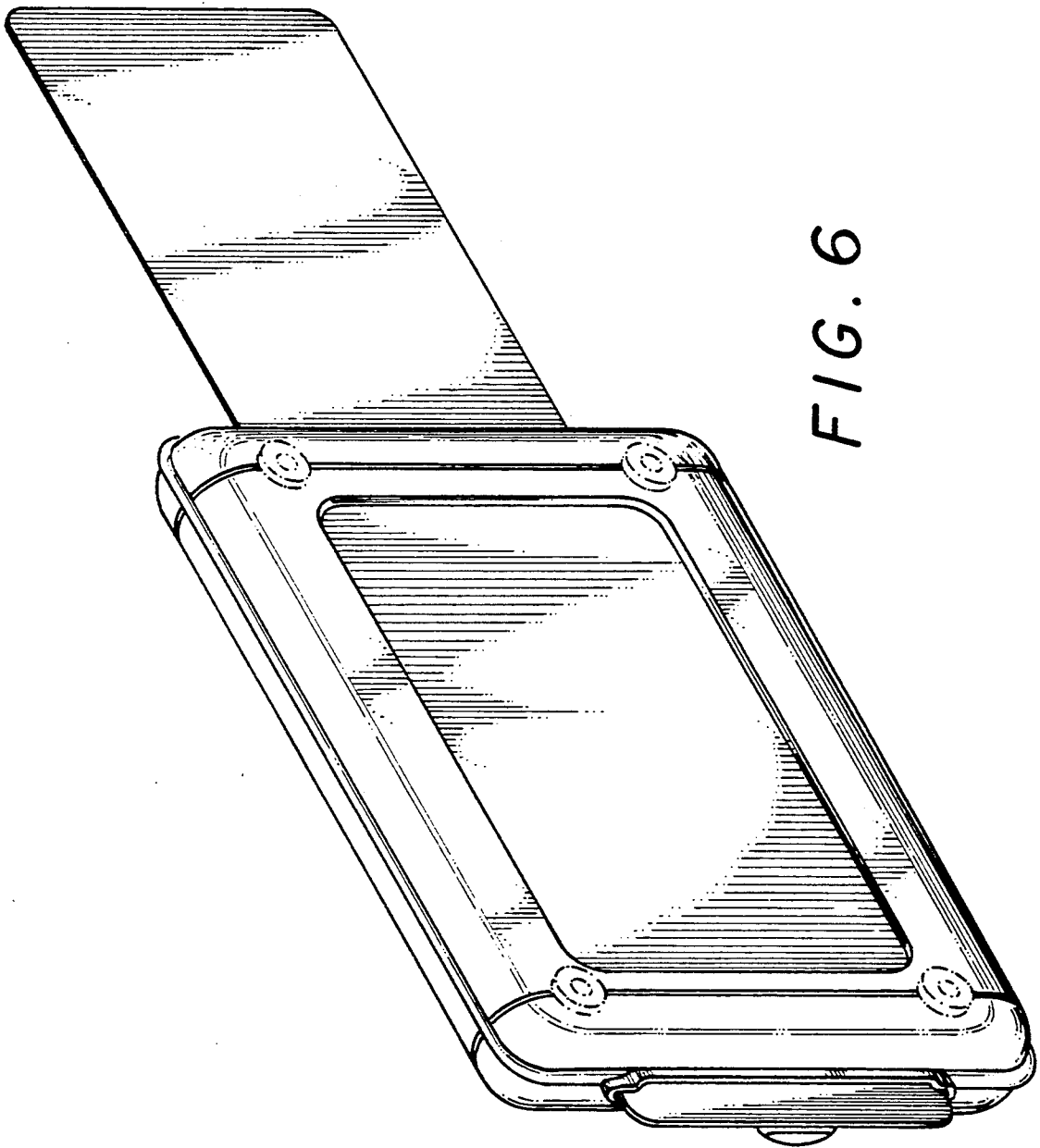


FIG. 6