

[54] SWAB BOX
[76] Inventor: Howard Sussman, 3101 NW. 25th St., Pompano Beach, Fla. 33060

D. 258,341 2/1981 Johnson D34/8
D. 269,856 7/1983 Kuta D9/418
D. 278,125 3/1985 Benham D9/418
2,885,135 5/1959 Friday D9/423 X

[**] Term: 14 Years

Primary Examiner—Robert C. Spangler
Attorney, Agent, or Firm—Bauer & Amer

[21] Appl. No.: 535,681

[57] CLAIM

[22] Filed: Sep. 26, 1983

The ornamental design for a swab box, as shown and described.

[52] U.S. Cl. D9/420; D9/423; D9/424; D9/431; D9/432

[58] Field of Search D28/73; D9/418, 414, D9/420, 423, 424, 431, 432; 220/82 R, 1 R, 1 S, 334; 206/45.31; D34/8

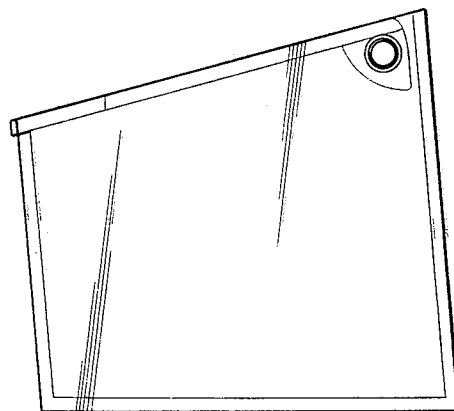
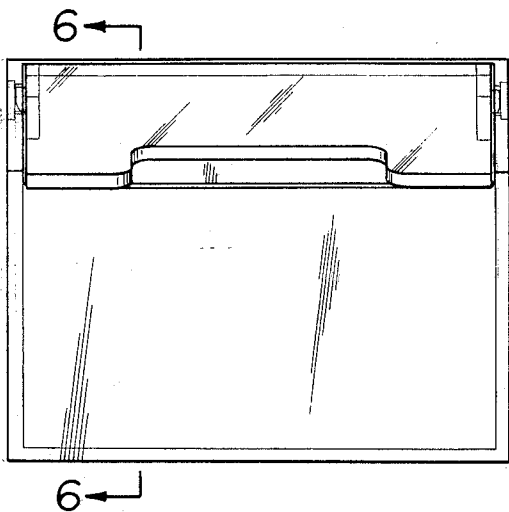
DESCRIPTION

[56] References Cited

U.S. PATENT DOCUMENTS

D. 199,206 9/1964 Rose D9/418
D. 203,137 12/1965 Braun D9/420
D. 219,957 2/1971 Spahr D9/414
D. 240,204 6/1976 Ferguson D9/422
D. 240,600 7/1976 Takacs D9/420

FIG. 1 is a plan view of a swab box showing my new design;
FIG. 2 is a front elevational view thereof;
FIG. 3 is a right-side elevational view thereof, the left-side elevational view being a mirror image;
FIG. 4 is a bottom view thereof;
FIG. 5 is a rear elevational view; and
FIG. 6 is a section along line 6—6 of FIG. 2, the section in the opposite direction being a mirror image.



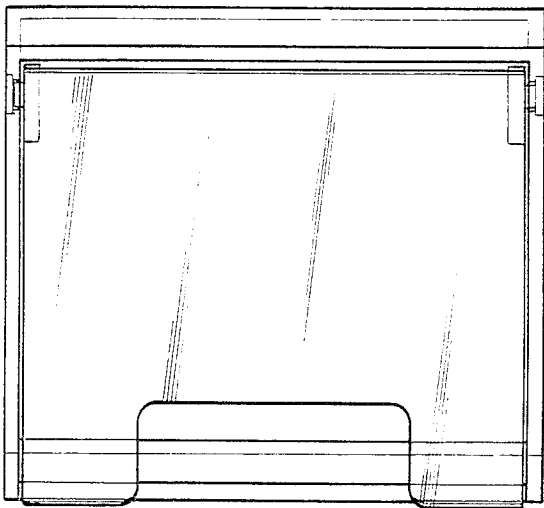


FIG. 1

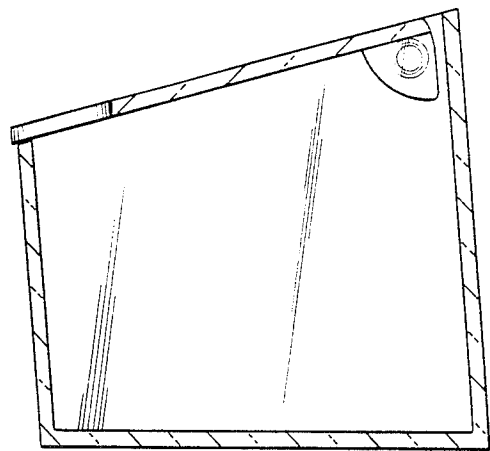


FIG. 6

6 ←

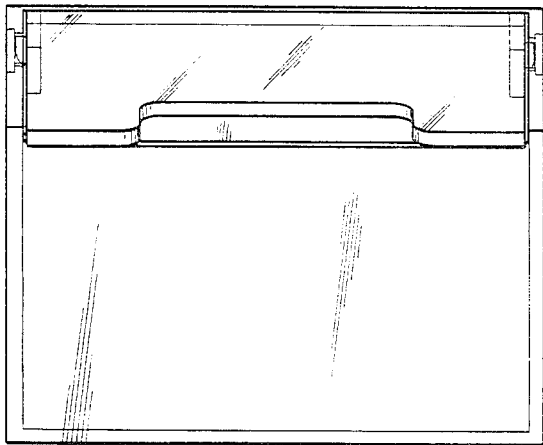


FIG. 2

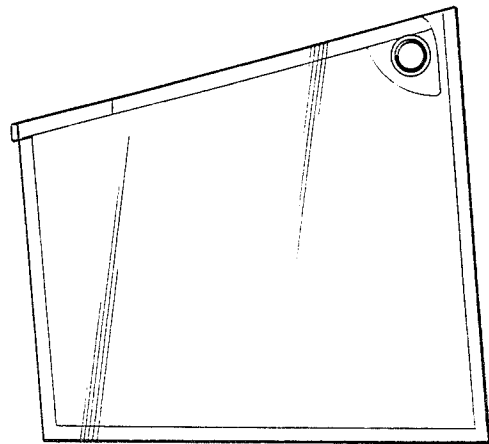


FIG. 3

6 ←

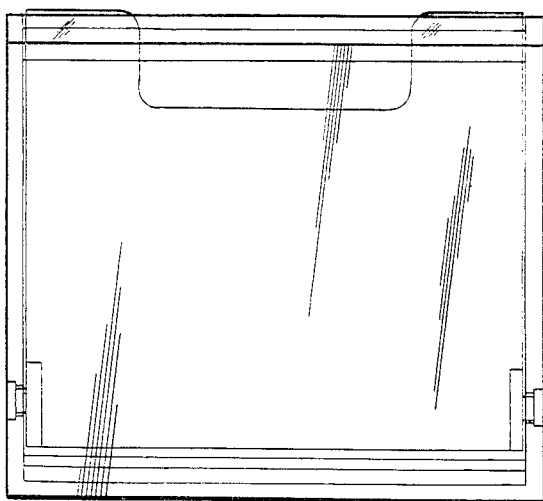


FIG. 4

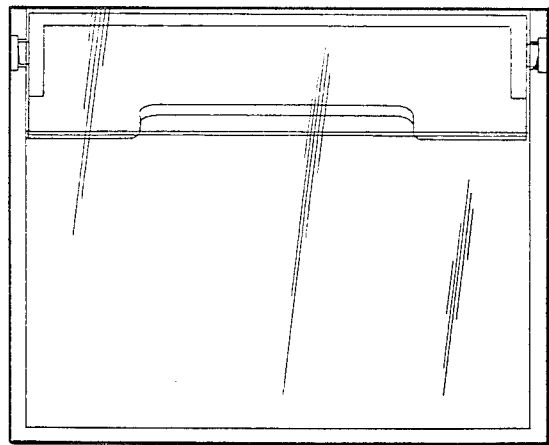


FIG. 5