

- [54] BEVERAGE CUP
- [75] Inventor: Bruno Wetter, St-Eustache, Canada
- [73] Assignee: Innopac Inc., Williamdale, Canada
- [**] Term: 14 Years
- [21] Appl. No.: 585,422
- [22] Filed: Mar. 2, 1984

Related U.S. Application Data

- [63] Continuation-in-part of Ser. No. 353,627, Mar. 1, 1982, abandoned.
- [52] U.S. Cl. D7/6; D7/14
- [58] Field of Search D7/6, 9, 10, 28, 17, D7/14; D9/349, 428, 429; 229/1.5 B; D11/155

References Cited

U.S. PATENT DOCUMENTS

- D. 18,224 4/1888 Barr D7/28

- D. 208,872 10/1967 Davis D9/349 X
- D. 265,372 7/1982 Groenewold et al. D7/6
- 3,169,689 2/1965 Schwartz 229/1.5 B
- 3,220,595 11/1965 Edwards 229/1.5 B
- 4,193,494 3/1980 Green 229/1.5 B X

Primary Examiner—Winifred E. Herrmann
Attorney, Agent, or Firm—Charles E. Brown; Charles A. Brown

[57] **CLAIM**

The ornamental design for a beverage cup, as shown and described.

DESCRIPTION

FIG. 1 is a top perspective view of a beverage cup showing my new design;
FIG. 2 is a side elevational view thereof;
FIG. 3 is a top plan view thereof;
FIG. 4 is a bottom plan view thereof; and
FIG. 5 is an enlarged vertical sectional view taken substantially along the line 5—5 of FIG. 3 and shows most specifically the configuration of the beverage cup.

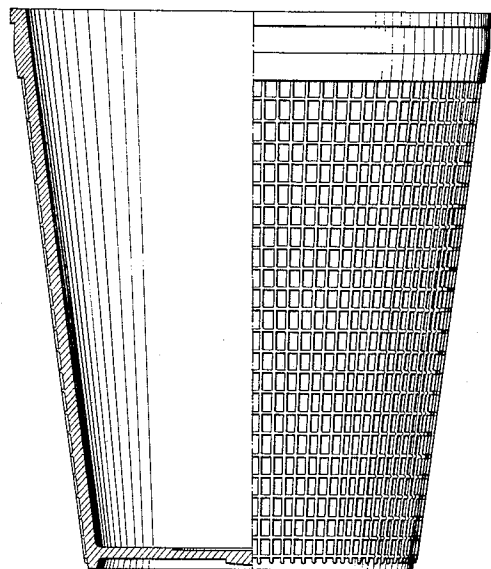
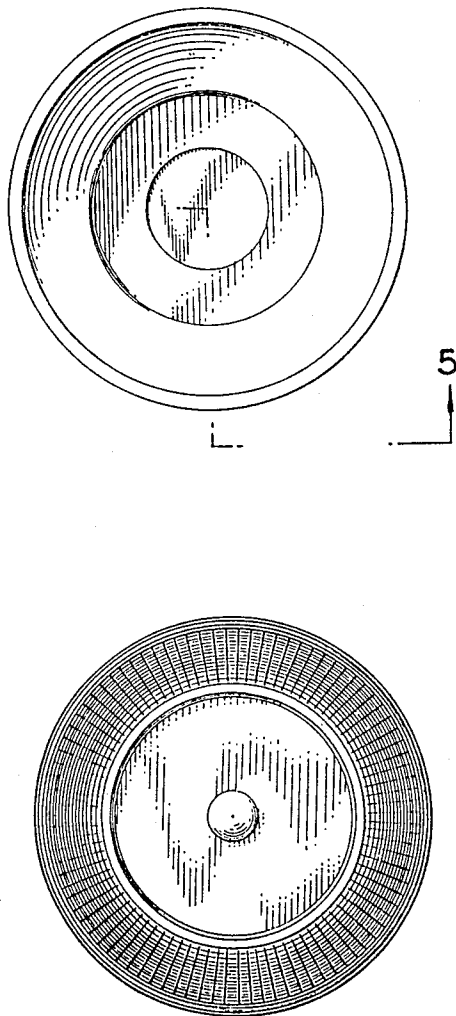


FIG. 1

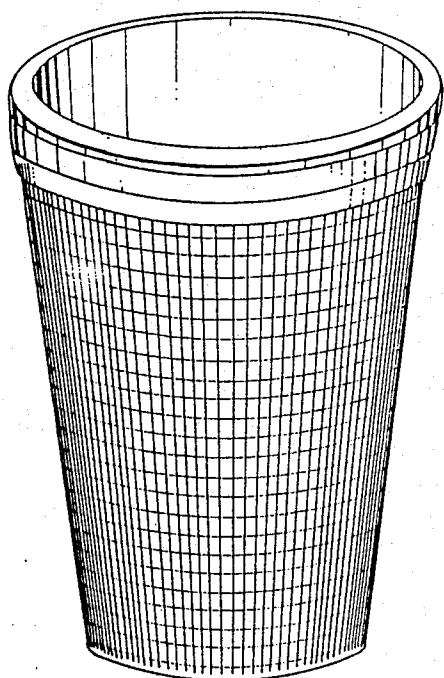


FIG. 2

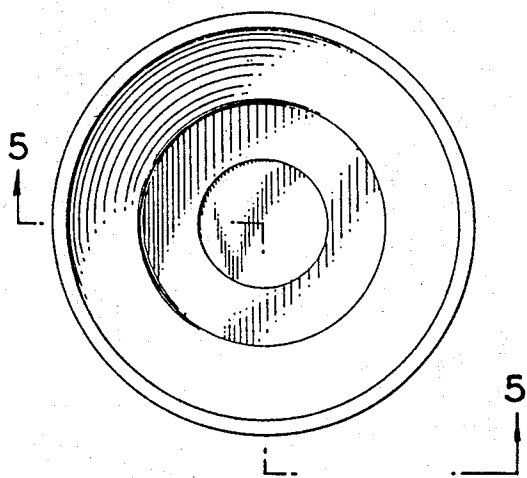
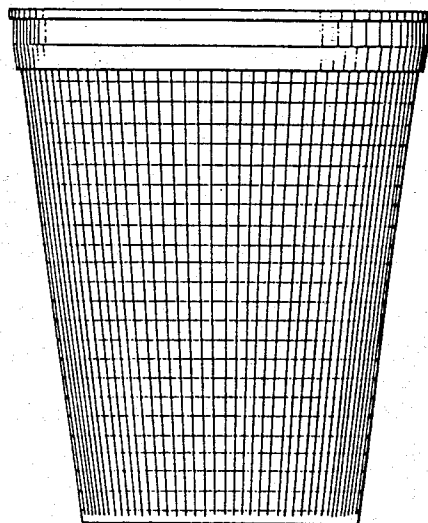


FIG. 3

FIG. 4

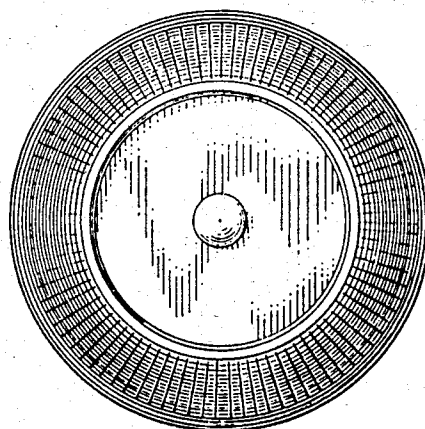


FIG. 5

