



US00D980212S

(12) **United States Design Patent**
Woo et al.

(10) **Patent No.:** **US D980,212 S**
(45) **Date of Patent:** **** Mar. 7, 2023**

(54) **HEAD MOUNT DISPLAY**

(56) **References Cited**

(71) Applicant: **Samsung Electronics Co., Ltd.**,
Suwon-si (KR)

U.S. PATENT DOCUMENTS

(72) Inventors: **Giha Woo**, Suwon-si (KR); **Yonghee Cho**, Suwon-si (KR); **Myungkyu Kim**, Suwon-si (KR); **Woojung Moon**, Suwon-si (KR); **Minki Ham**, Suwon-si (KR); **Hangil Song**, Suwon-si (KR)

D798,862	S	*	10/2017	Wang	D14/372
D840,398	S	*	2/2019	Li	D14/372
D861,680	S	*	10/2019	Chou	D14/372
D862,468	S	*	10/2019	Chen	D14/372
D881,189	S	*	4/2020	Moon	D14/372
D896,221	S	*	9/2020	Lee	D14/372
D916,086	S	*	4/2021	Zhang	D14/372
D917,474	S	*	4/2021	Chiang	D14/372
D917,476	S	*	4/2021	Zhang	D14/372
D943,574	S	*	2/2022	Lin	D14/372

(73) Assignee: **SAMSUNG ELECTRONICS CO., LTD.**, Suwon-si (KR)

* cited by examiner

(**) Term: **15 Years**

Primary Examiner — Austin Murphy
(74) *Attorney, Agent, or Firm* — McAndrews Held & Malloy, Ltd.

(21) Appl. No.: **29/777,255**

(22) Filed: **Apr. 5, 2021**

(57) **CLAIM**

The ornamental design for a head mount display, as shown and described.

(30) **Foreign Application Priority Data**

Oct. 6, 2020 (KR) 30-2020-0047803

(51) **LOC (14) Cl.** **14-02**

(52) **U.S. Cl.**
USPC **D14/372**

(58) **Field of Classification Search**
USPC D14/372, 496, 432, 371, 125, 126, 129, 14/299; D16/300-342; 351/158, 153, 351/144; 345/7-9, 905; 455/344; 348/115, 53, 121, 739
CPC G02B 27/017; G02B 27/0158; G02B 27/0161; G02B 27/0181; G02B 27/0185; G02B 27/0189

See application file for complete search history.

DESCRIPTION

FIG. 1 is a front perspective view of a head mount display showing our new design;
FIG. 2 is a front elevation view thereof;
FIG. 3 is a rear elevation view thereof;
FIG. 4 is a left side elevation view thereof;
FIG. 5 is a right side elevation view thereof;
FIG. 6 is a top plan view thereof;
FIG. 7 is a bottom plan view thereof; and,
FIG. 8 is a rear perspective view thereof.
The evenly-dashed broken lines in the drawings illustrate portions of the head mount display that form no part of the claimed design.

1 Claim, 6 Drawing Sheets

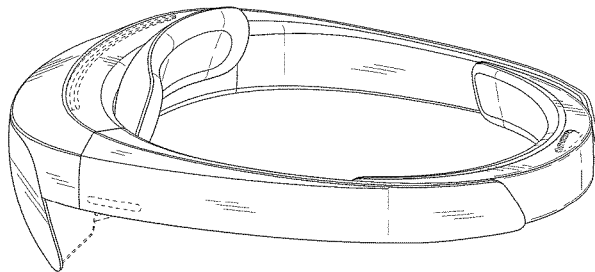
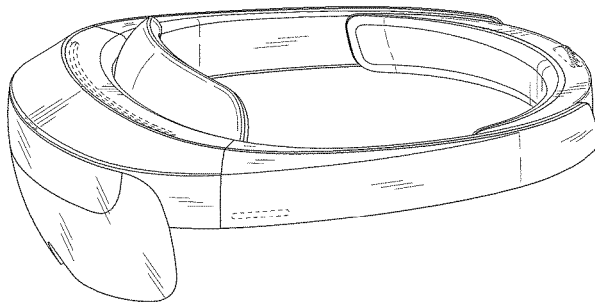


FIG.1

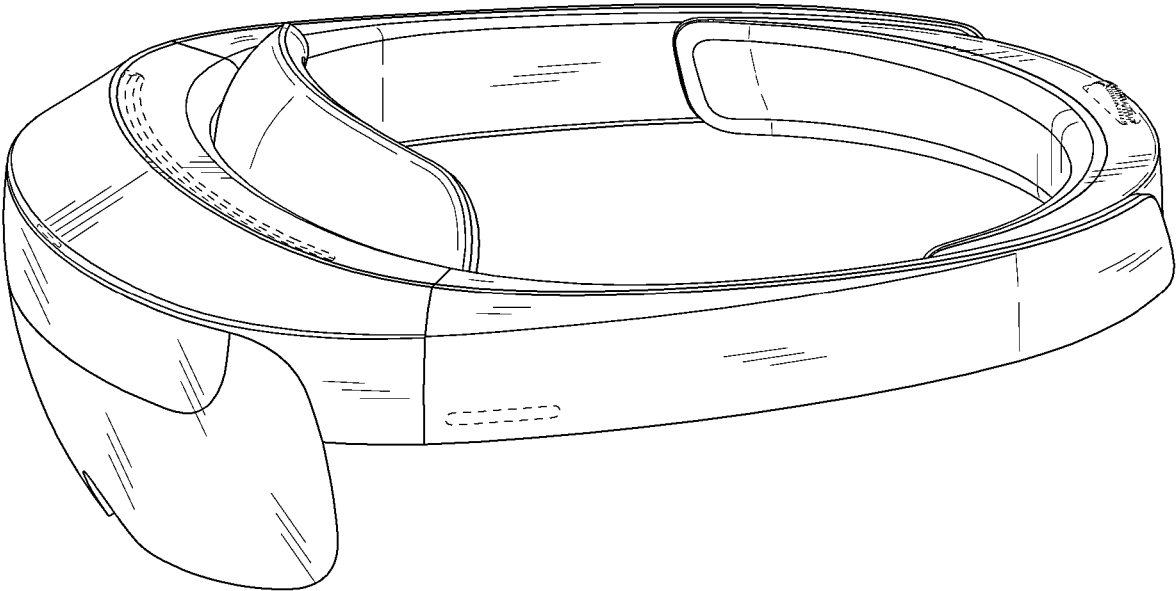


FIG.2

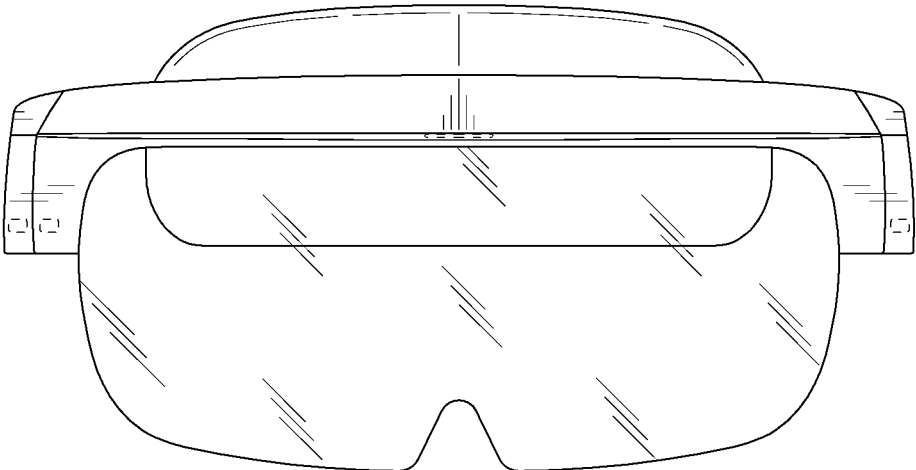


FIG.3

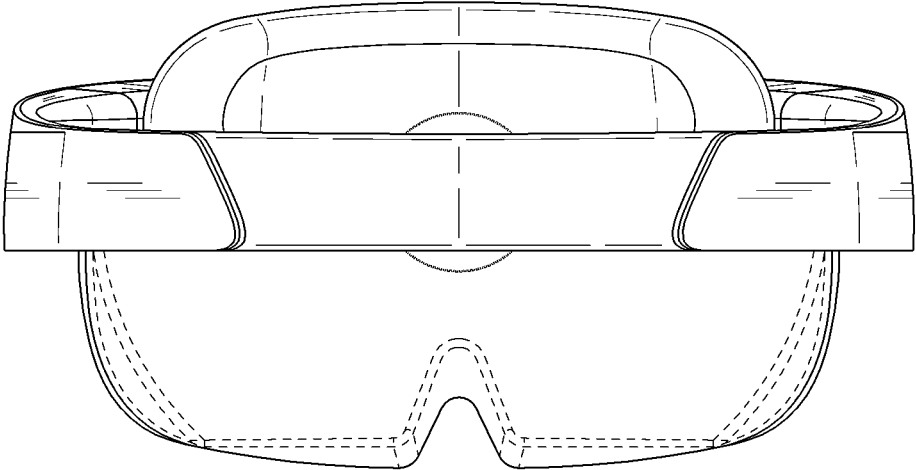


FIG.4

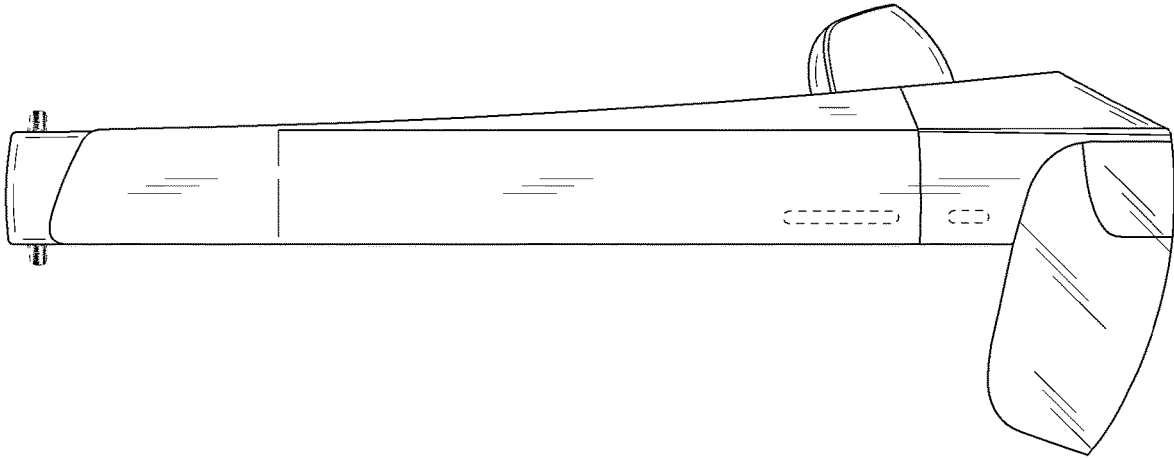


FIG.5

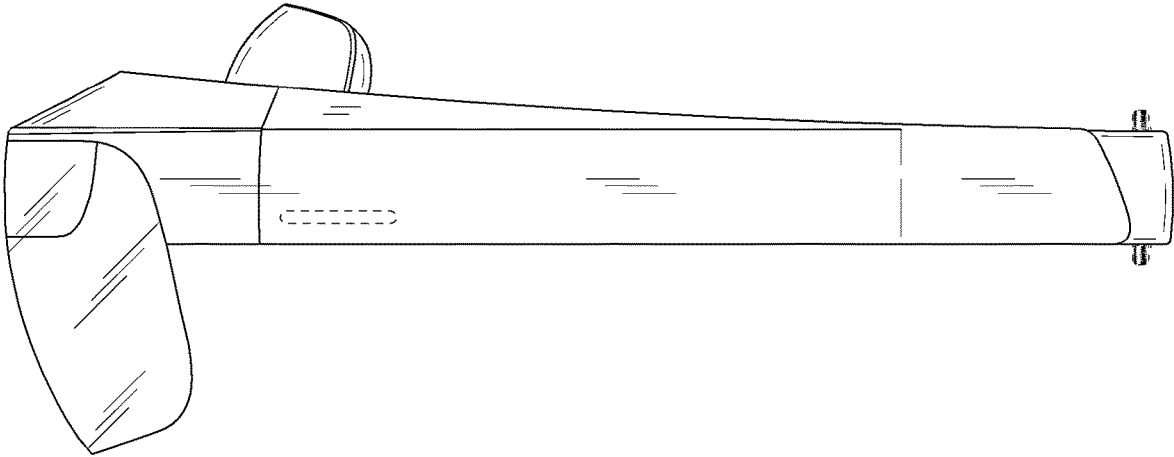


FIG.6

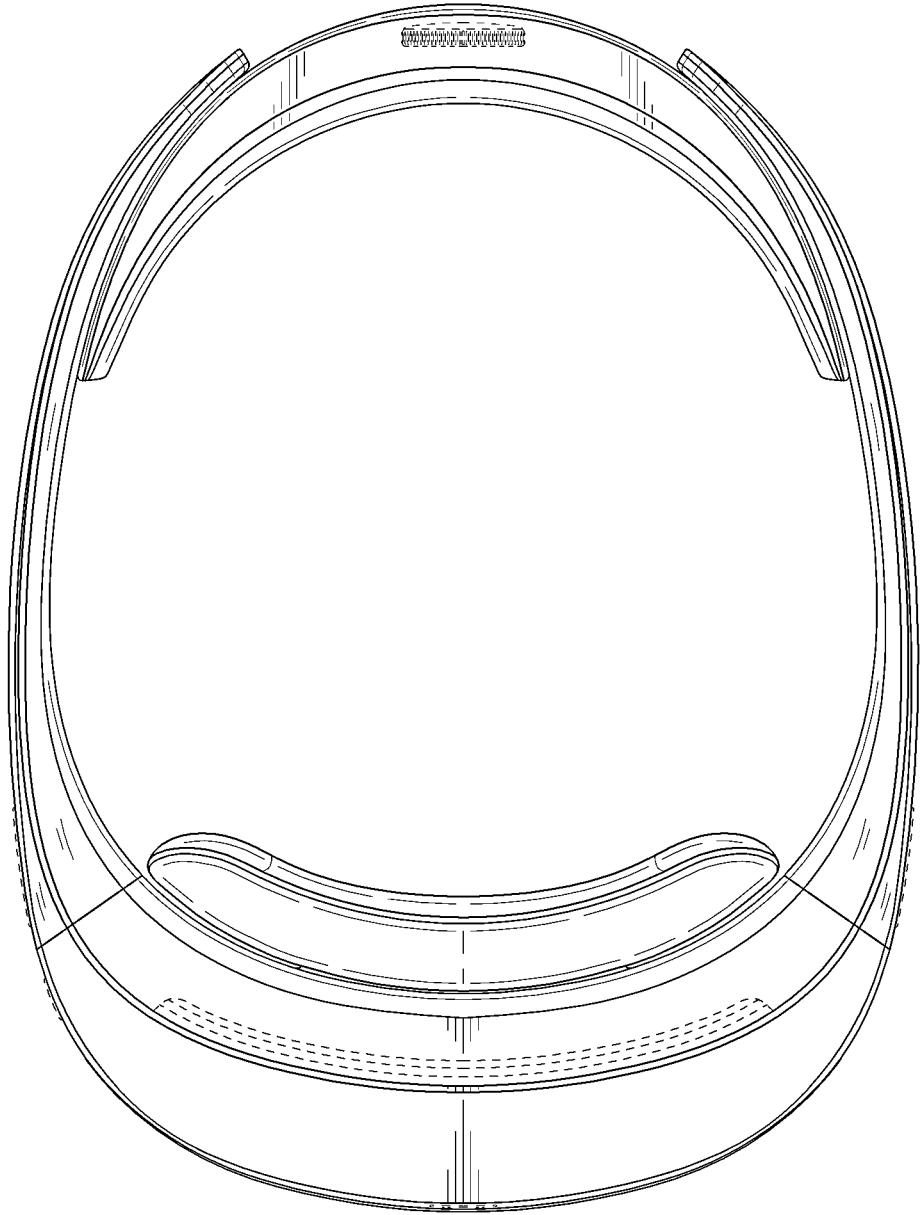


FIG.7

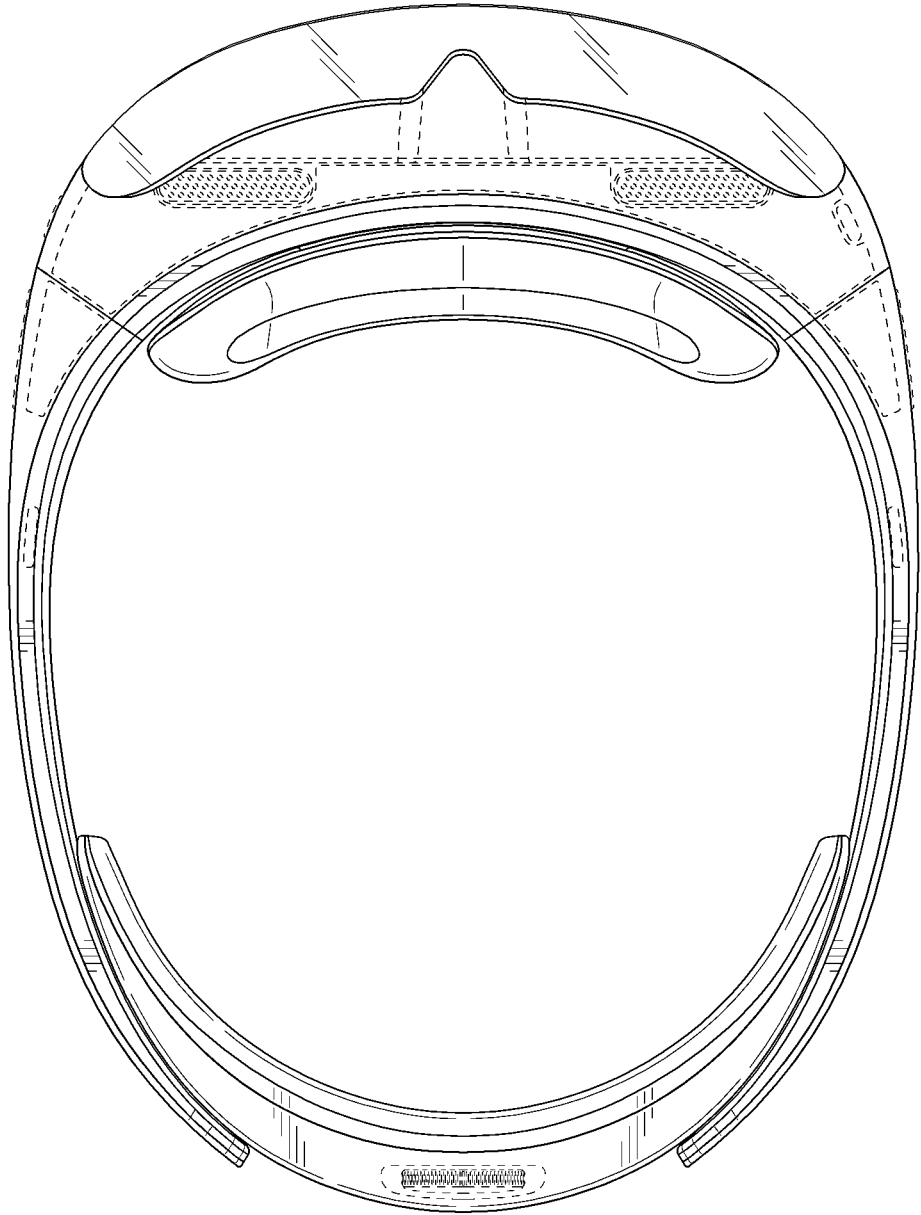


FIG.8

