



US00D417264S

# United States Patent [19]

[11] Patent Number: Des. 417,264

Beth

[45] Date of Patent: \*\* Nov. 30, 1999

[54] GUTTER GUARD

5,592,783 1/1997 Jones ..... 52/12

[75] Inventor: Robert M. Beth, Stanford, Calif.

Primary Examiner—Alan P. Douglas

Assistant Examiner—Reid Hecker

[73] Assignee: Board of Trustees of the Leland Stanford Junior University, Palo Alto, Calif.

Attorney, Agent, or Firm—Carol D. Titus; James J. Leary

[\*\*] Term: 14 Years

### [57] CLAIM

The ornamental design for a gutter guard, as shown and described.

[21] Appl. No.: 29/077,198

### DESCRIPTION

[22] Filed: Sep. 29, 1997

FIG. 1 is a perspective view of the gutter guard installed within a gutter of a guttered structure, in this case a house; the gutter guard is shown separated and bracketed to indicate that the precise length is not claimed; the broken line showing of the gutter and structure are for illustrative purposes only and form no part of the claimed design;

[51] LOC (6) Cl. .... 23-01

[52] U.S. Cl. .... D23/261

[58] Field of Search ..... D5/54, 58, 60-61; D7/667; D23/260-261; D25/113-115, 118-119, 121-122, 124; D32/56; 4/286-292, 507, 510, 650, 679; 52/12, 302.3; 210/163-164; 312/229; 404/2, 4

FIG. 2 is an enlarged bottom view thereof shown separated and bracketed to indicate that the precise length is not claimed;

FIG. 3 is an enlarged top view thereof shown separated and bracketed to indicate that the precise length is not claimed;

FIG. 4 is an enlarged right side view thereof;

FIG. 5 is an enlarged left side view thereof;

FIG. 6 is an enlarged front view thereof shown separated and bracketed to indicate that the precise length is not claimed; and,

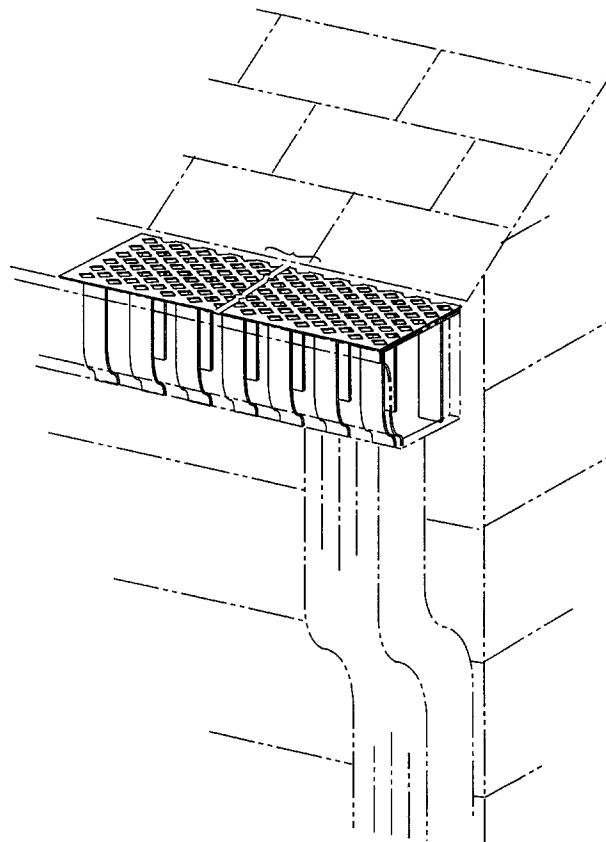
FIG. 7 is an enlarged back view thereof shown separated and bracketed to indicate that the precise length is not claimed.

### [56] References Cited

#### U.S. PATENT DOCUMENTS

D. 223,829	6/1972	Cook	.....	D23/261
373,002	11/1887	Aldrich	.....	312/201
3,253,393	5/1966	McLean	.....	210/474
4,007,566	2/1977	Molitor	.....	52/169.7
4,553,356	11/1985	Pepper	.....	52/11
4,936,061	6/1990	Palma	.....	52/12
4,965,969	10/1990	Antenen	.....	52/12

1 Claim, 4 Drawing Sheets



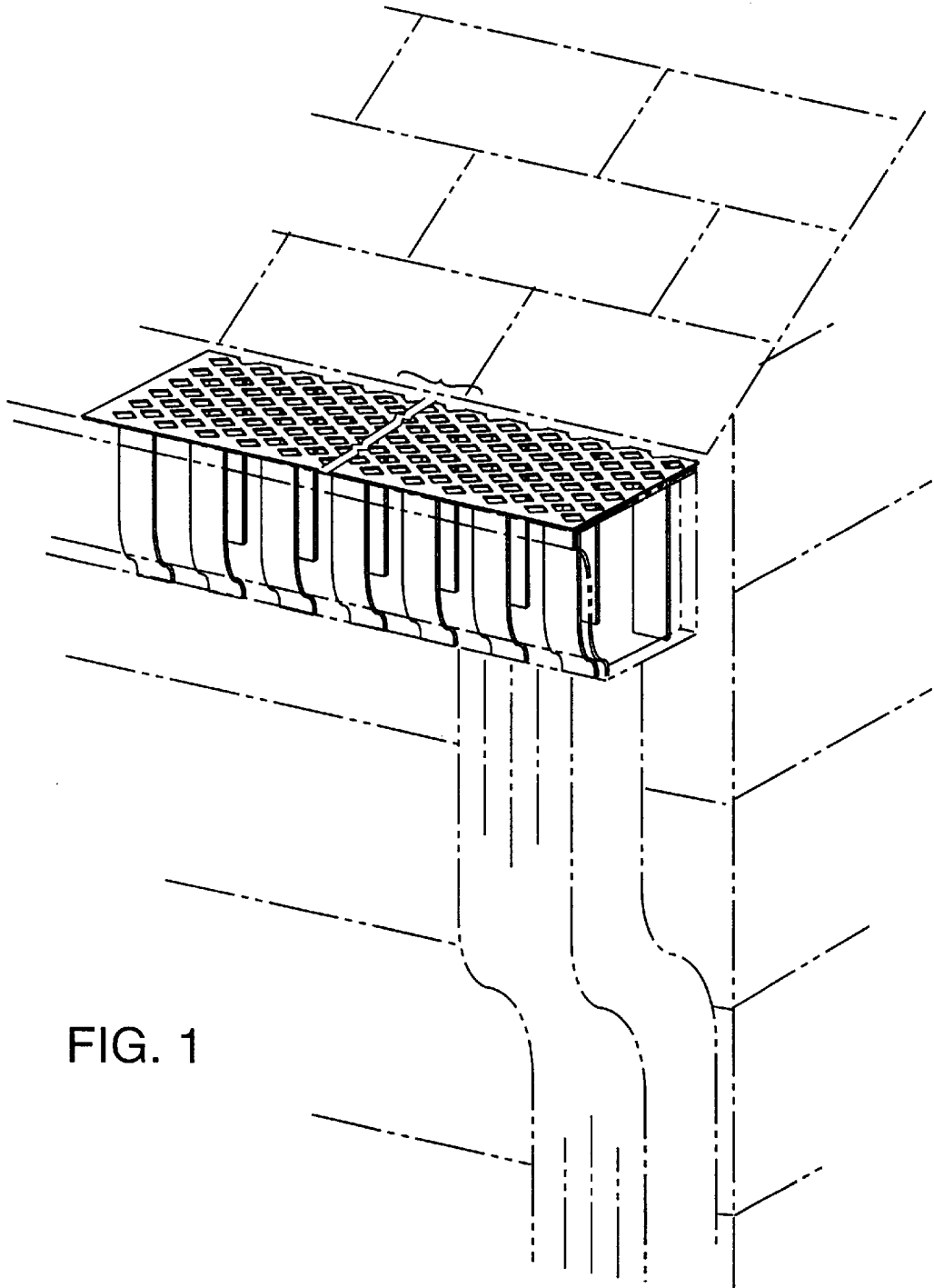


FIG. 1

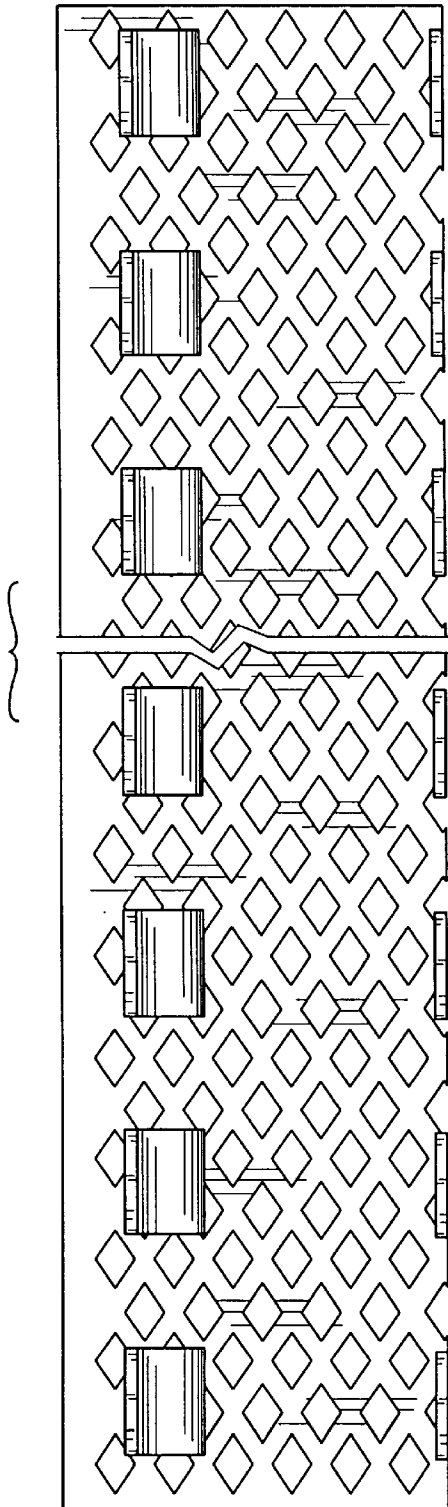


FIG. 2

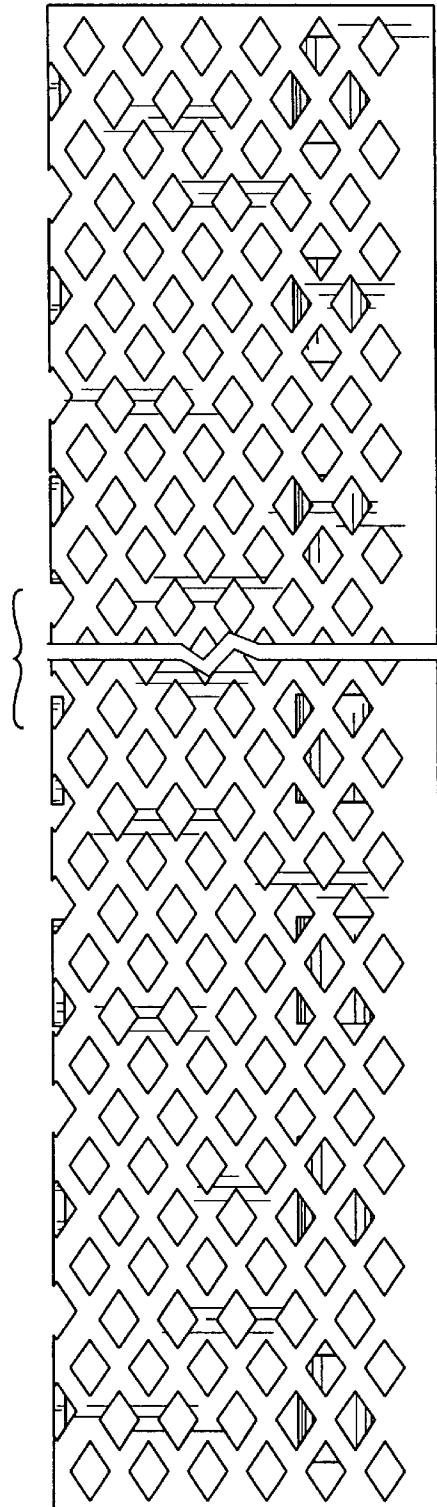


FIG. 3

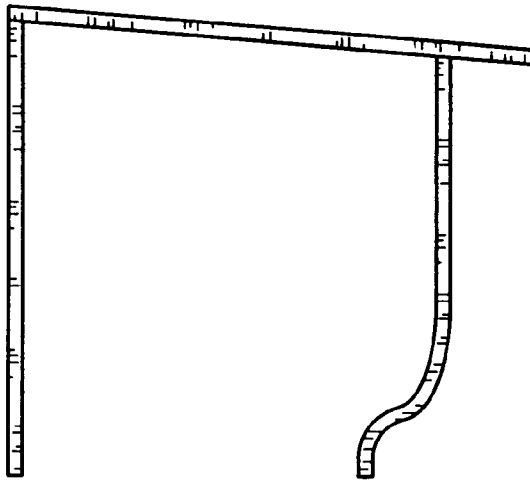


FIG. 4

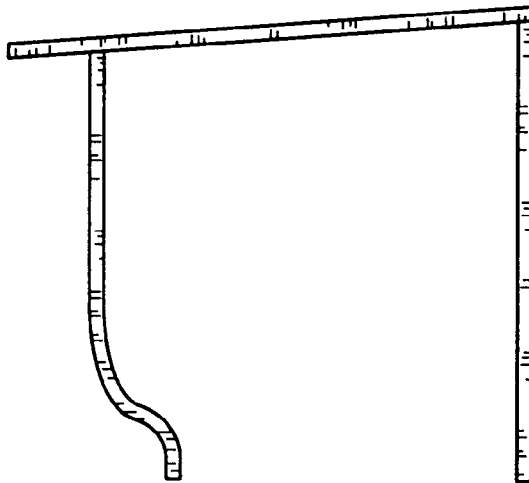


FIG. 5

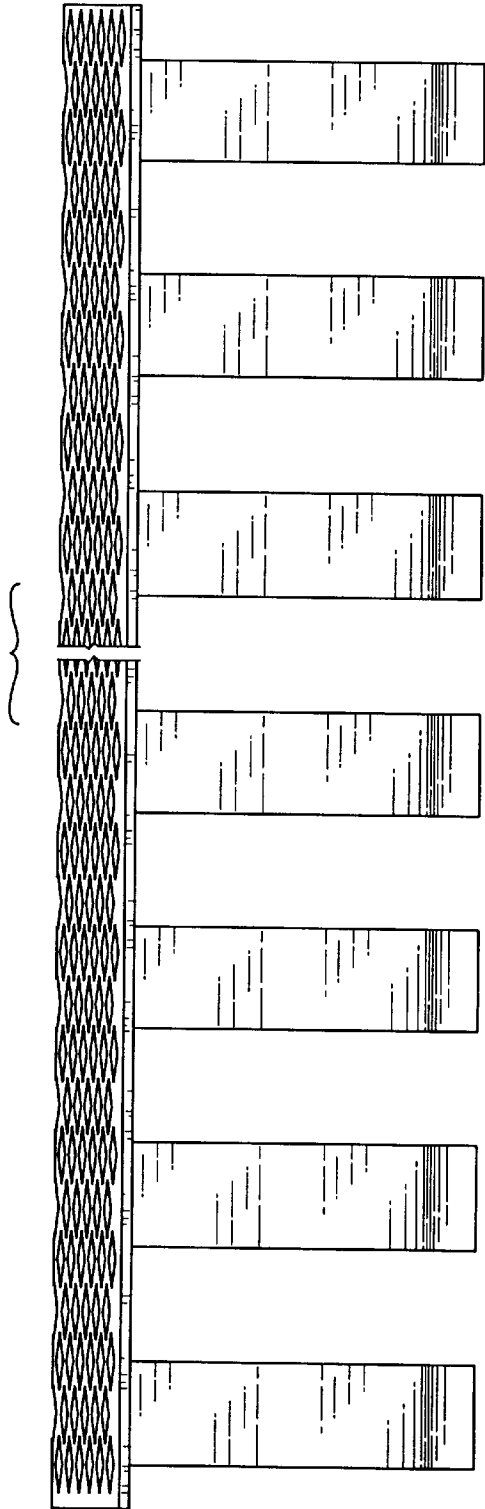


FIG. 6

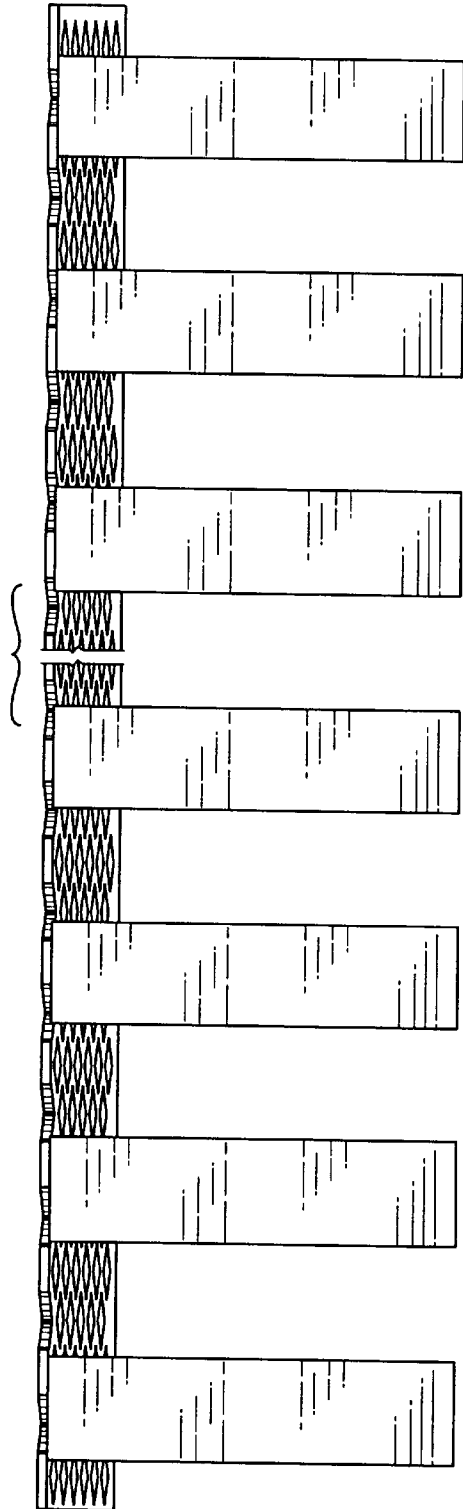


FIG. 7