



US00D634361S

(12) **United States Design Patent**  
**Terenzio et al.**

(10) **Patent No.:** **US D634,361 S**

(45) **Date of Patent:** **\*\* Mar. 15, 2011**

(54) **PRINTER**

(75) Inventors: **Dennis M. Terenzio**, Boise, ID (US);  
**Kevin L. Falk**, Boise, ID (US)

(73) Assignee: **Hewlett-Packard Development Company, L.P.**, Houston, TX (US)

(\*\*) Term: **14 Years**

(21) Appl. No.: **29/343,638**

(22) Filed: **Sep. 16, 2009**

(51) **LOC (9) Cl.** ..... **14-02**

(52) **U.S. Cl.** ..... **D18/55**

(58) **Field of Classification Search** ..... D18/36-39,  
D18/50, 54, 54.1, 55; D14/315, 327, 420-425,  
D14/463-470; 400/613, 613.1-613.4, 690,  
400/690.1-690.4, 691-694

See application file for complete search history.

(56) **References Cited**

**U.S. PATENT DOCUMENTS**

D442,217 S \* 5/2001 Hatanaka et al. .... D18/53  
D532,043 S 11/2006 Park et al.

D573,633 S 7/2008 Laidlaw et al.  
D576,203 S 9/2008 Laidlaw et al.  
D579,490 S 10/2008 Laidlaw et al.  
D594,508 S \* 6/2009 Joe et al. .... D18/55

\* cited by examiner

*Primary Examiner* — Cathy Anne MacCormac

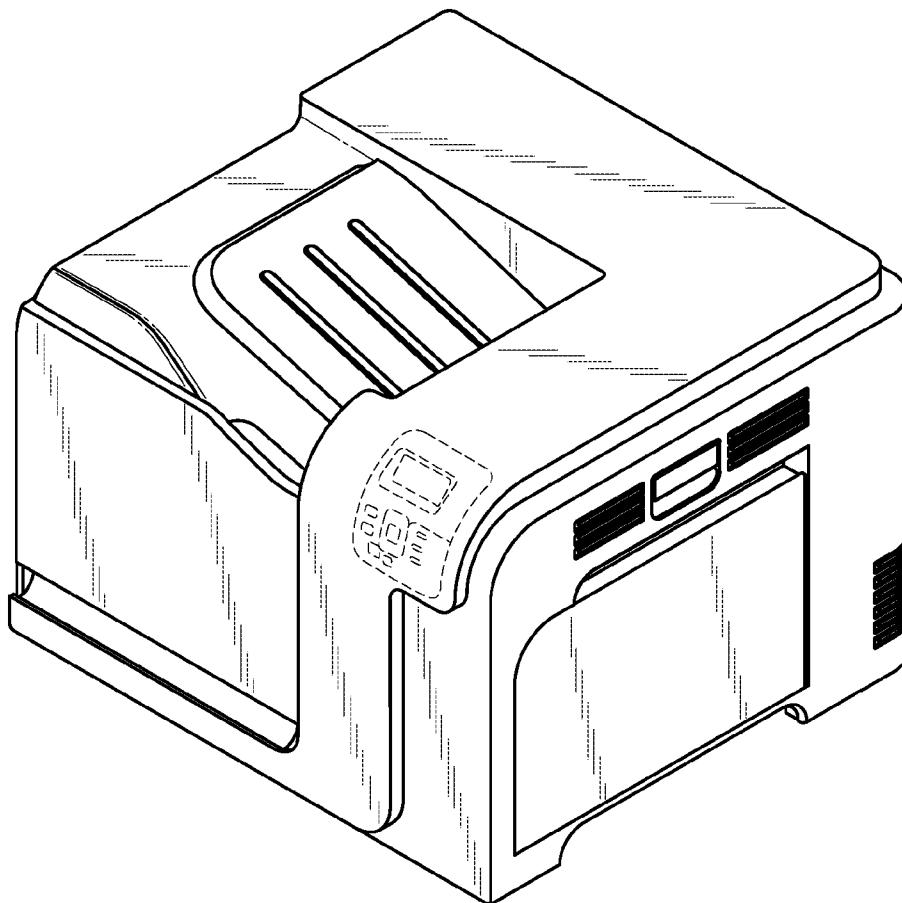
(57) **CLAIM**

The ornamental design for a printer, as shown and described herein.

**DESCRIPTION**

FIG. 1 is a front, top, and right side perspective view of a printer;  
FIG. 2 is a front elevational view thereof;  
FIG. 3 is a rear elevational view thereof;  
FIG. 4 is a top plan view thereof;  
FIG. 5 is a bottom plan view thereof;  
FIG. 6 is a right elevational view thereof; and,  
FIG. 7 is a left elevational view thereof.  
Those portions of the Figures shown in broken lines are included for illustrative purposes only and form no part of the claimed design.

**1 Claim, 7 Drawing Sheets**



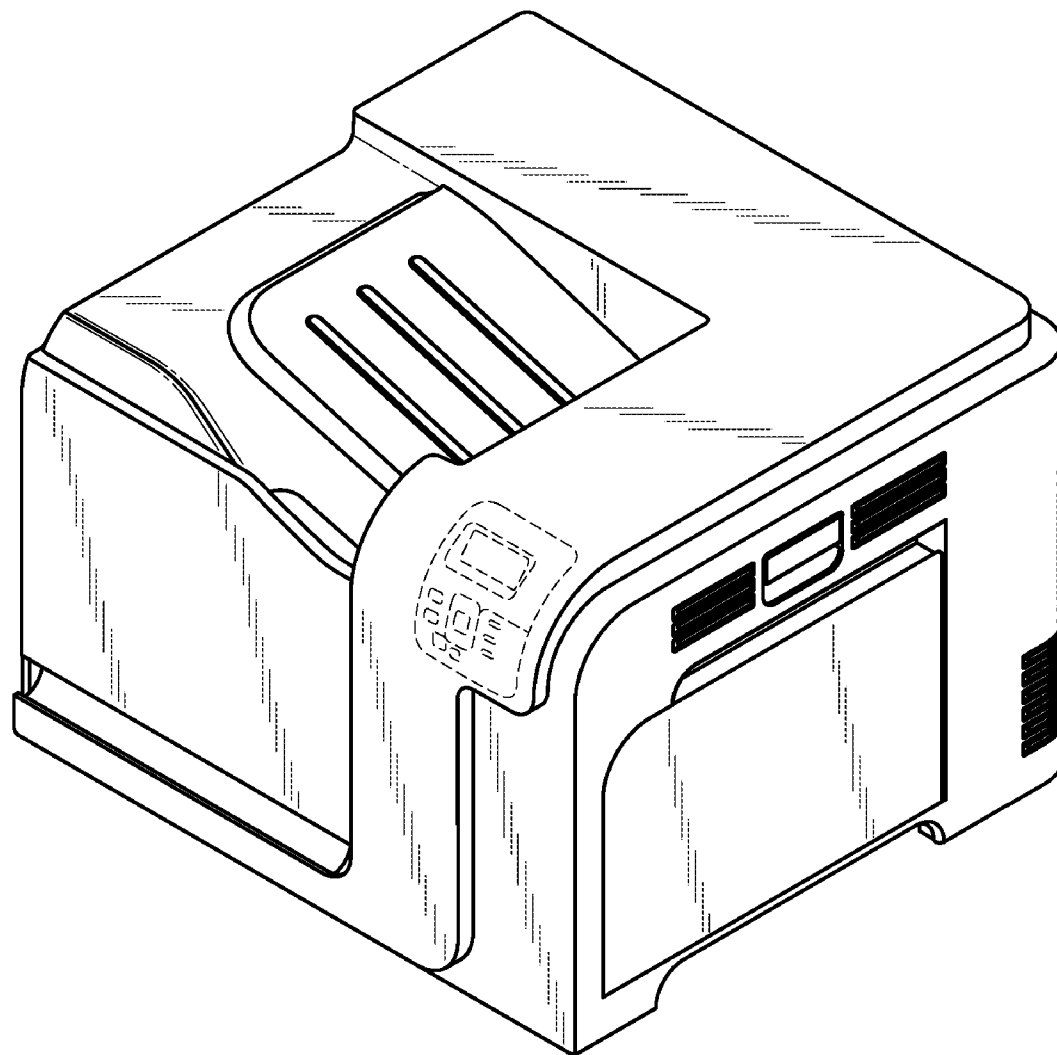


Fig. 1

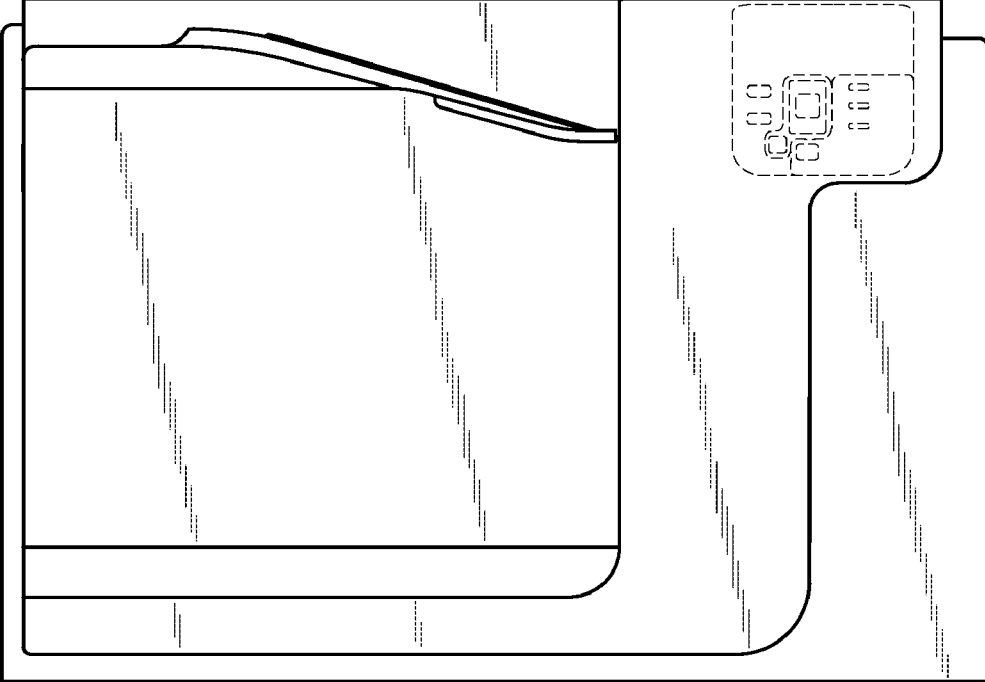


Fig. 2

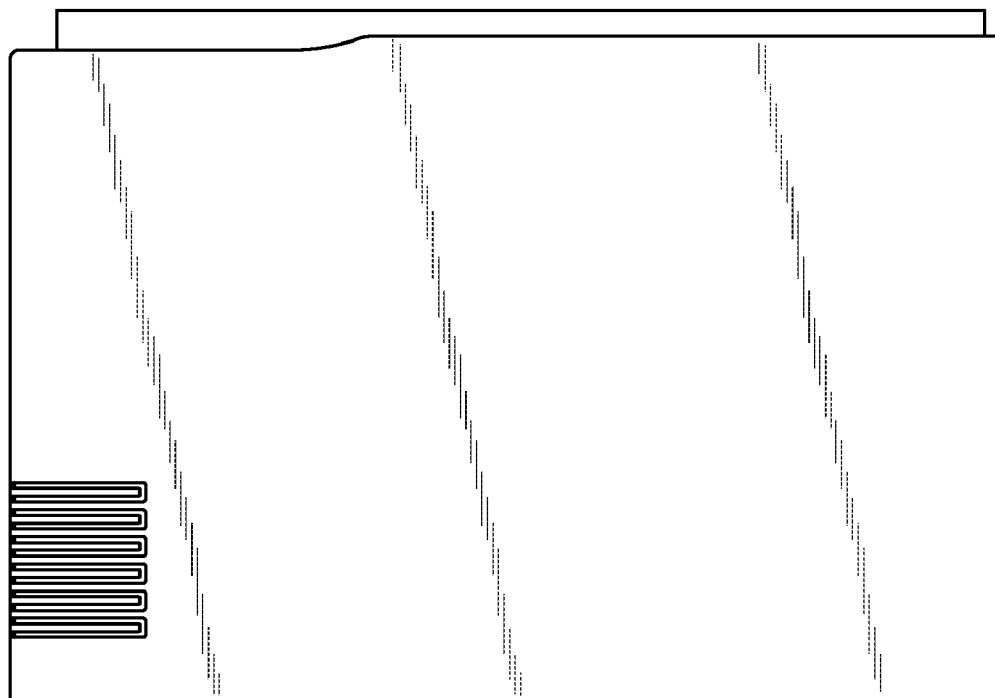


Fig. 3

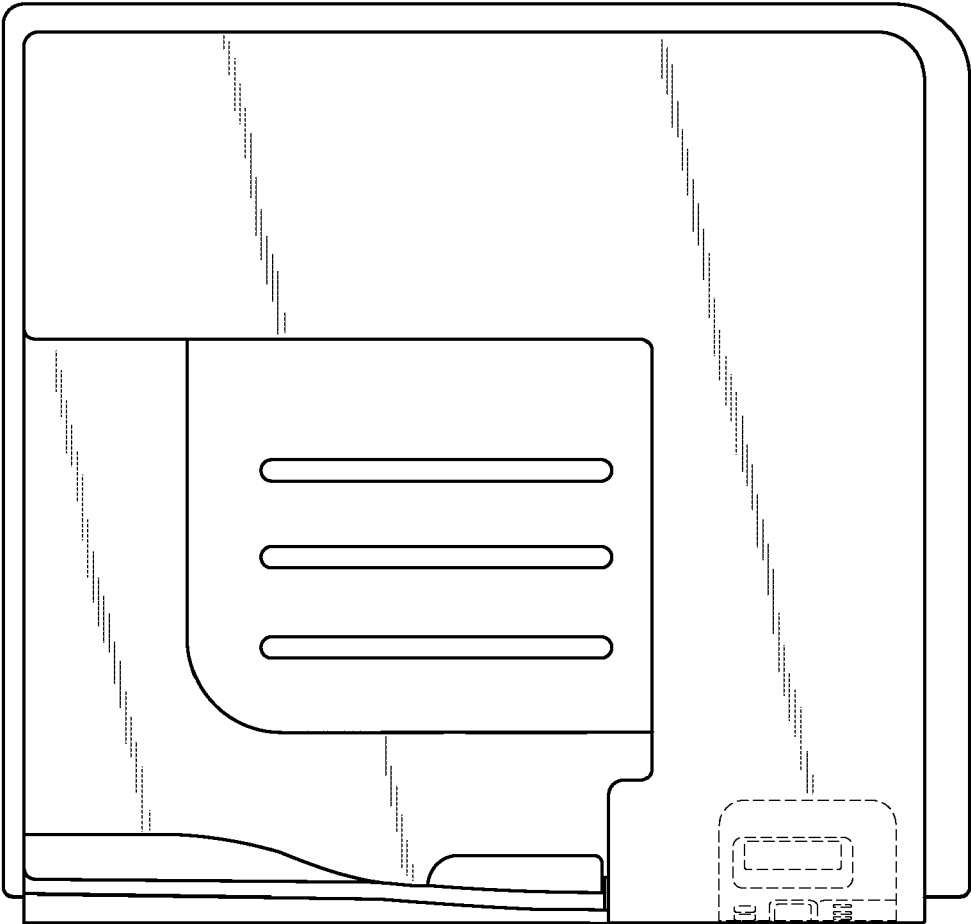


Fig. 4

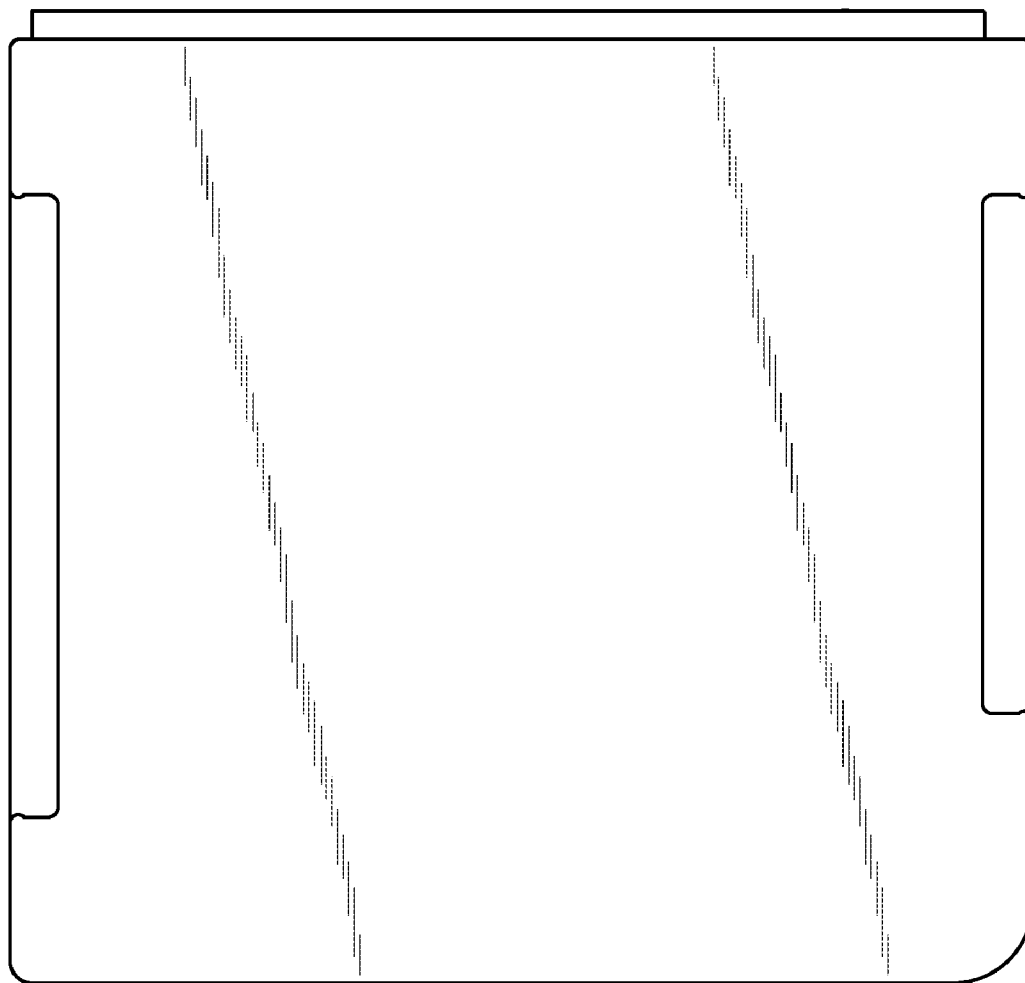


Fig. 5

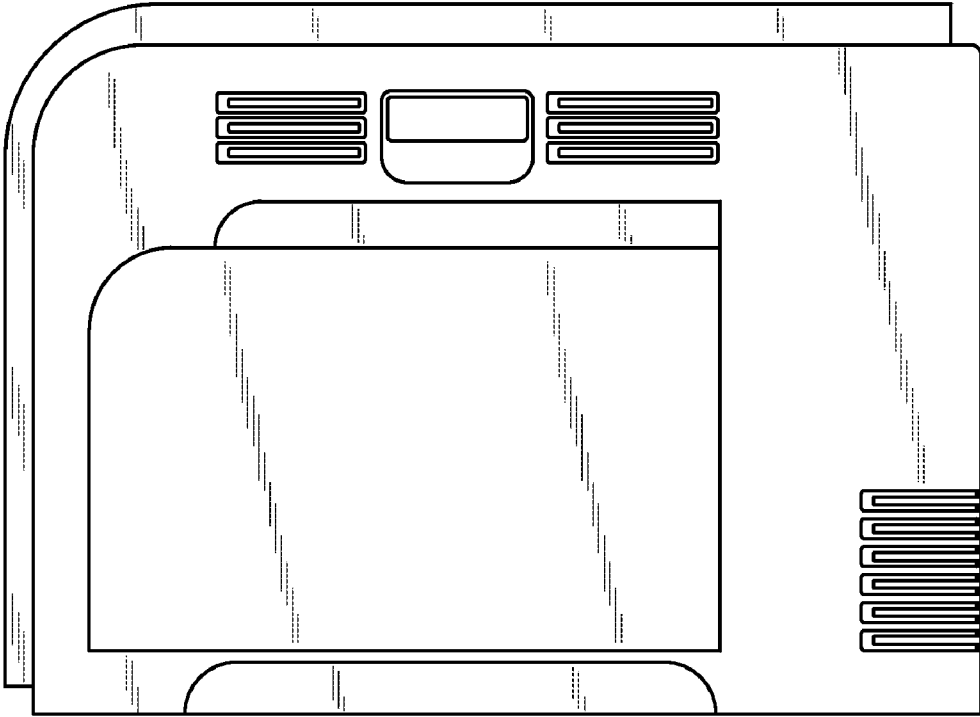


Fig. 6

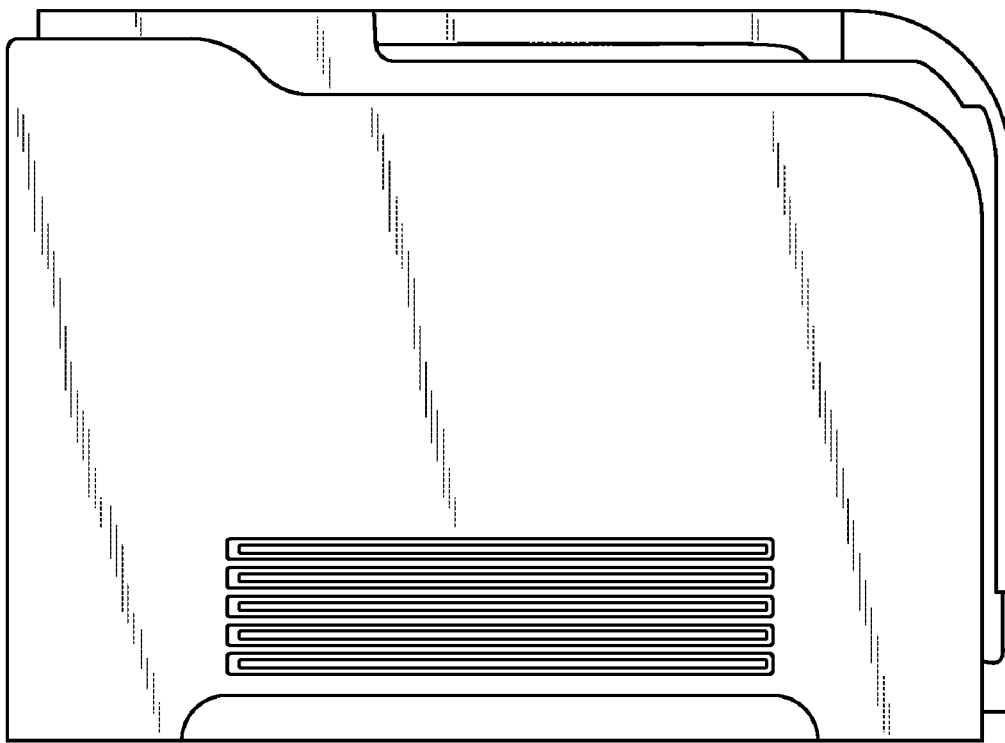


Fig. 7