



(12) **United States Design Patent** (10) **Patent No.:** **US D955,454 S**  
**Suarez Iribarne et al.** (45) **Date of Patent:** **\*\* Jun. 21, 2022**

(54) **BOTTLE STOPPERING MACHINE**  
 (71) Applicant: **Noustique Perfumes, S.L.**, Barcelona (ES)  
 (72) Inventors: **Alvaro Suarez Iribarne**, Barcelona (ES); **Hugo Lasala Alonso**, Saragossa (ES); **Juan Ramón Soler Costa**, Saragossa (ES); **Jesús Ceamanos**, Saragossa (ES); **Pedro Antonio Soler Saez**, Piera (ES)  
 (73) Assignee: **Noustique Perfumes, S.L.**, Barcelona (ES)

(\*\*) Term: **15 Years**

(21) Appl. No.: **29/685,171**

(22) Filed: **Mar. 27, 2019**

(30) **Foreign Application Priority Data**  
 Sep. 27, 2018 (EM) ..... 005663184-0001

(51) **LOC (13) Cl.** ..... **15-03**

(52) **U.S. Cl.**  
 USPC ..... **D15/145**

(58) **Field of Classification Search**  
 USPC .... D15/122, 145, 146, 79-91; D9/417, 424, D9/428, 434, 435, 436, 439, 440, 447, D9/448, 454, 455, 456, 500, 502, 504, D9/516, 51, 529, 549, 558  
 CPC ..... B65B 35/44; B65B 11/004; B65B 11/08; B65B 11/10; B65B 17/025; B65B 21/24; B65B 21/245; B65B 35/16; B65B 35/24; B65B 35/26; B65B 35/405; B65B 3/10; B65B 43/12; B65B 43/126; B65B 49/14; B65B 53/063; B65B 55/10; B65B 63/08; B65B 65/003; B65B 7/16

See application file for complete search history.

(56) **References Cited**  
 U.S. PATENT DOCUMENTS  
 D219,120 S 11/1970 Karlson  
 D298,541 S 11/1988 Sakaki et al.  
 D330,034 S 10/1992 Edstrom  
 D361,581 S 8/1995 Hirz  
 D366,051 S 1/1996 Lewis et al.  
 D505,436 S \* 5/2005 Griggs ..... D15/145  
 D506,765 S \* 6/2005 Gartner ..... D15/145  
 D508,931 S \* 8/2005 Griggs ..... D15/145  
 D510,944 S \* 10/2005 Griggs ..... D15/145  
 D543,222 S 5/2007 Pester et al.  
 D618,257 S 6/2010 Hanamure et al.  
 (Continued)

FOREIGN PATENT DOCUMENTS  
 CN 201430299023.8 4/2015  
 CN 201430299707.8 4/2015  
 (Continued)

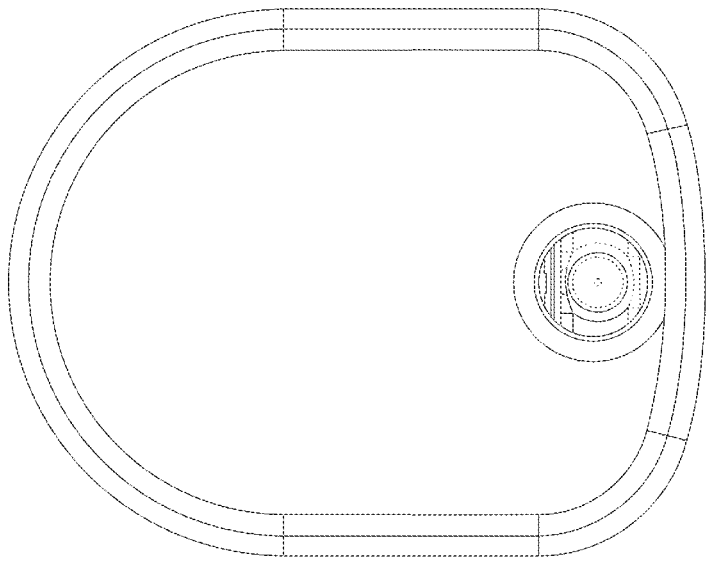
OTHER PUBLICATIONS  
 Notice of Allowance dated Sep. 24, 2020 from the US Patent and Trademark Office Re. U.S. Appl. No. 29/685,020. (8 pages).  
 (Continued)

*Primary Examiner* — Khawaja Anwar

(57) **CLAIM**  
 The ornamental design for a bottle stoppering machine, as shown and described.

**DESCRIPTION**  
 FIG. 1 is a rear view, showing our new design;  
 FIG. 2 is a front view thereof;  
 FIG. 3 is a top view thereof;  
 FIG. 4 is a side perspective view;  
 FIG. 5 is a front perspective view thereof;  
 FIG. 6 is a side view thereof; and,  
 FIG. 7 is a rear perspective view thereof.

**1 Claim, 7 Drawing Sheets**



(56)

**References Cited**

U.S. PATENT DOCUMENTS

D635,601 S	4/2011	Baroncini	
D649,570 S *	11/2011	Chen .....	D15/145
D731,568 S	6/2015	Lee	
D732,309 S	6/2015	Lisbona Vives	
D747,118 S	1/2016	Lisbona Vives	
D796,327 S *	9/2017	Walbroel .....	D9/503
D796,328 S *	9/2017	Walbroel .....	D9/503
D810,151 S	2/2018	Wang et al.	
D813,574 S	3/2018	Patton	
D826,996 S	8/2018	Feng	
D886,163 S	6/2020	Yao	
D905,771 S	12/2020	Suarez Iribarne et al.	
D908,486 S	1/2021	Marantis et al.	

FOREIGN PATENT DOCUMENTS

EP	004497303-0001	11/2017
EP	D100854	5/2018

OTHER PUBLICATIONS

Official Action dated Mar. 16, 2021 from the US Patent and Trademark Office Re. U.S. Appl. No. 29/685,042. (10 pages).

Official Action dated Mar. 16, 2021 from the US Patent and Trademark Office Re. U.S. Appl. No. 29/685,043. (12 pages).

\* cited by examiner

FIG 1

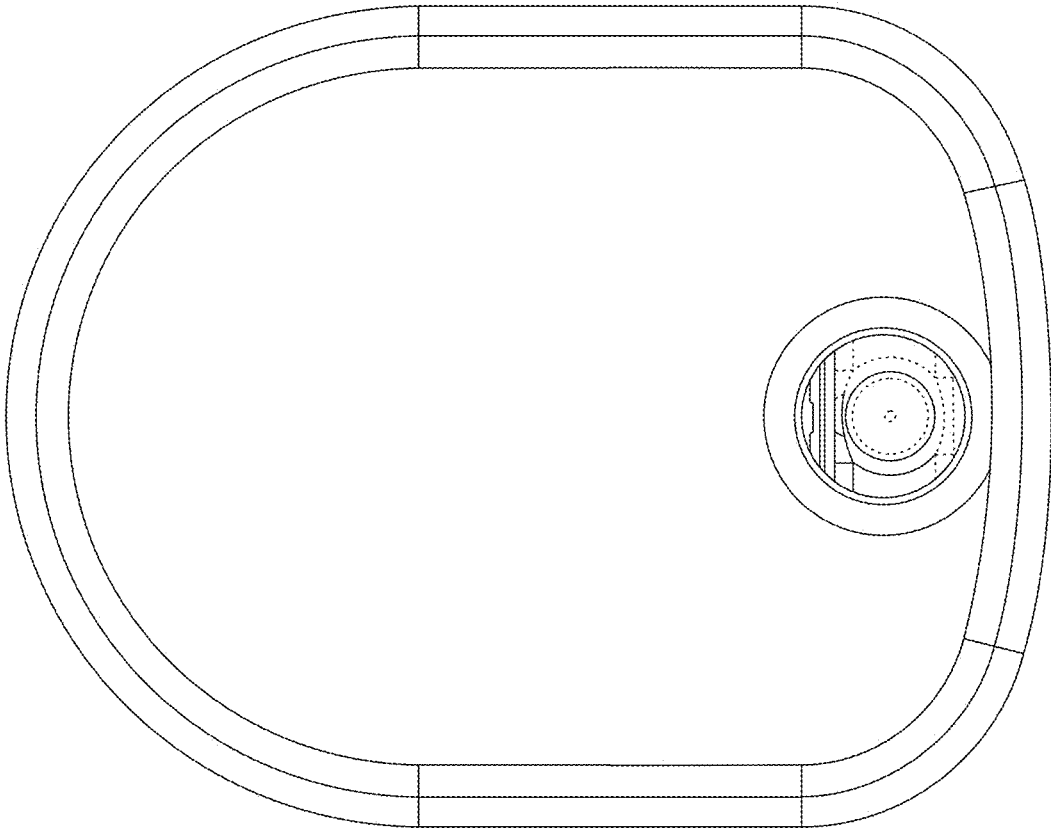


FIG 2

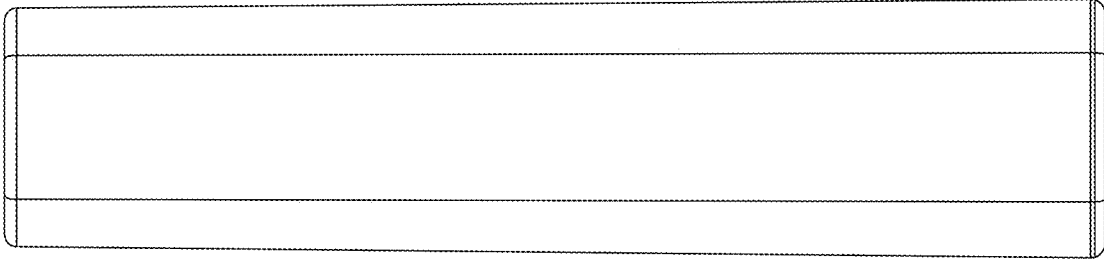


FIG 3

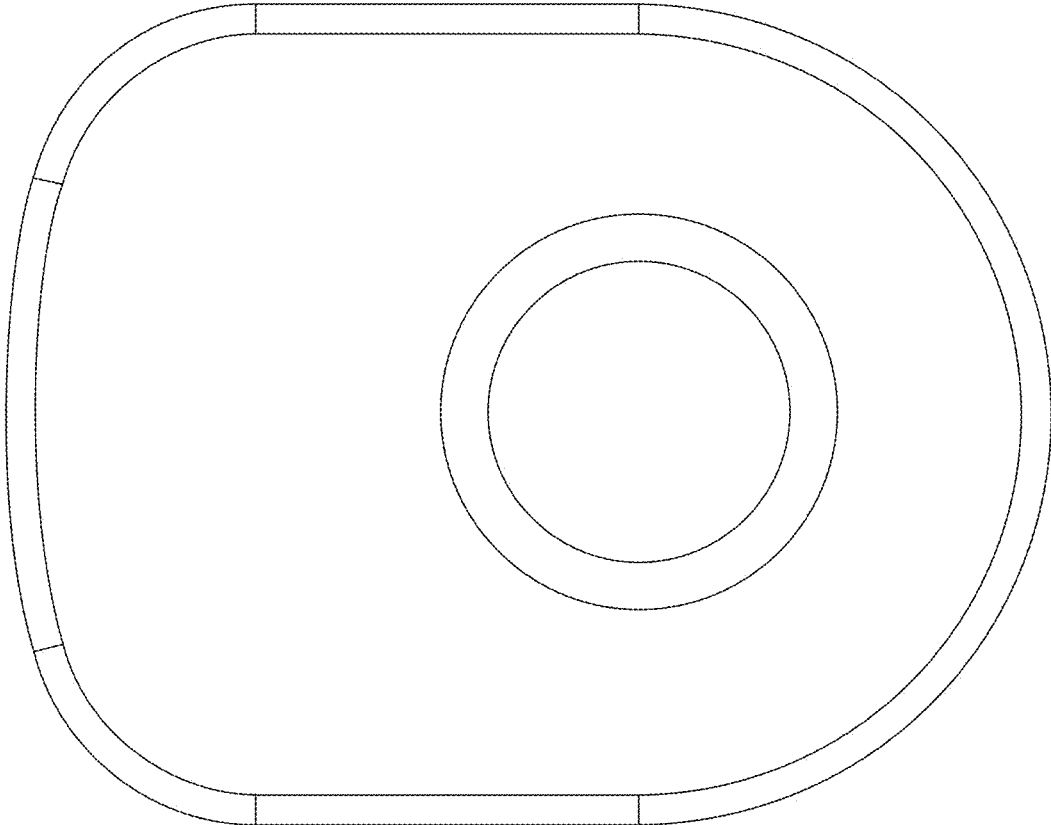


FIG 4

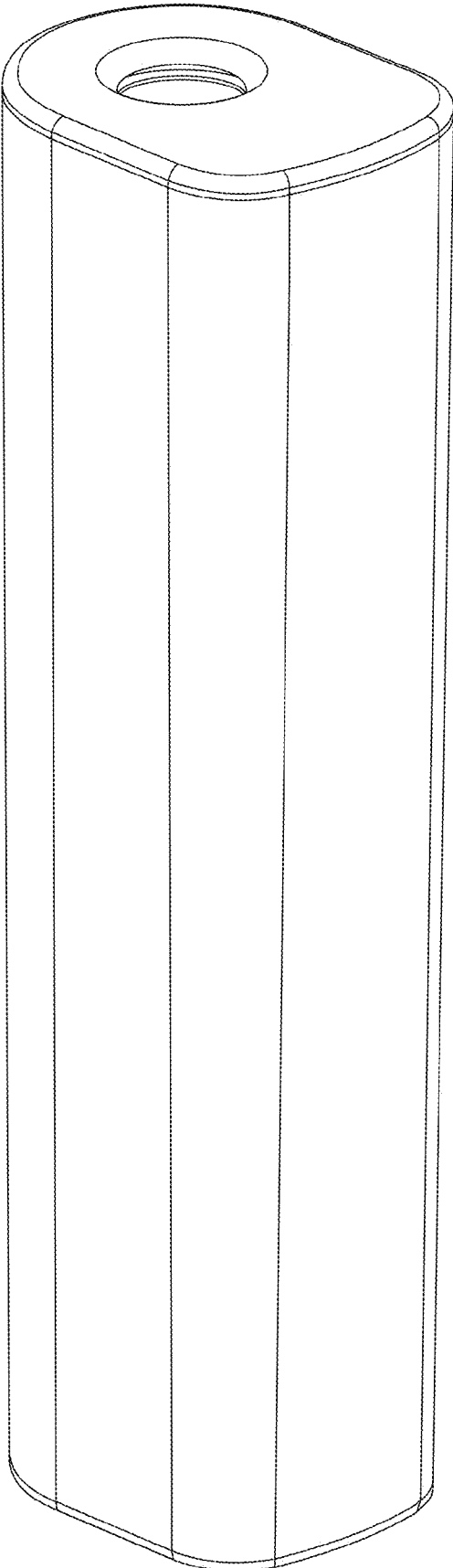


FIG 5

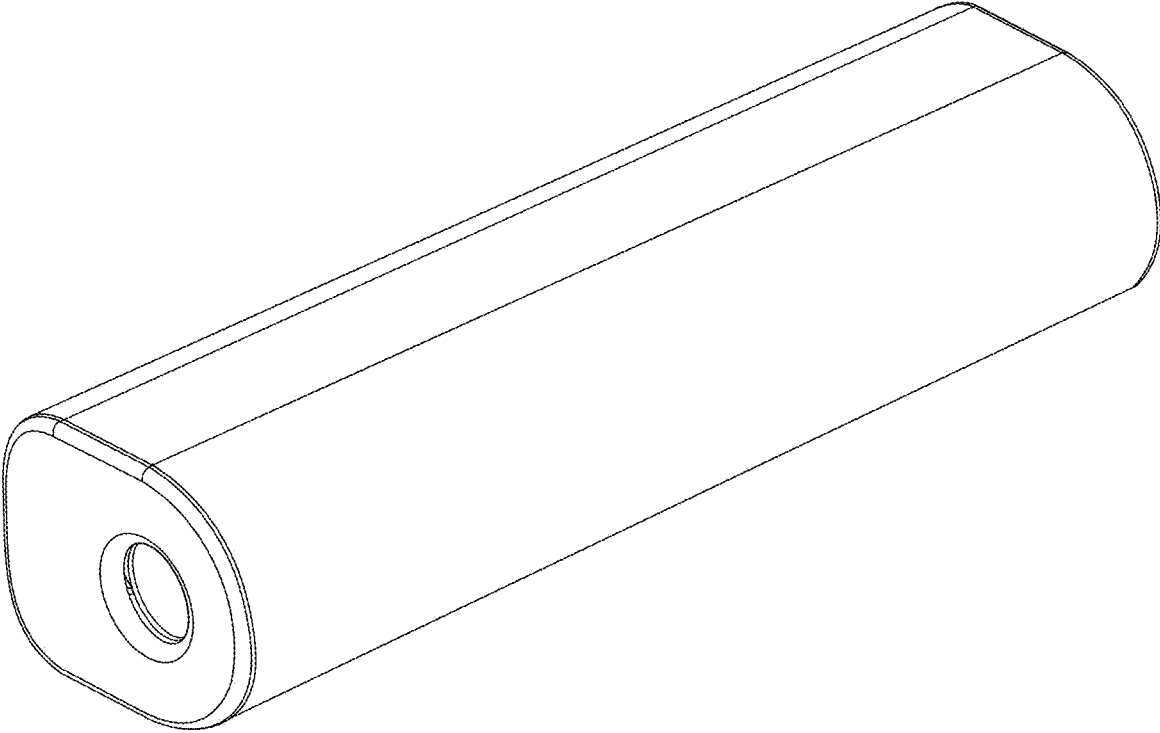


FIG 6

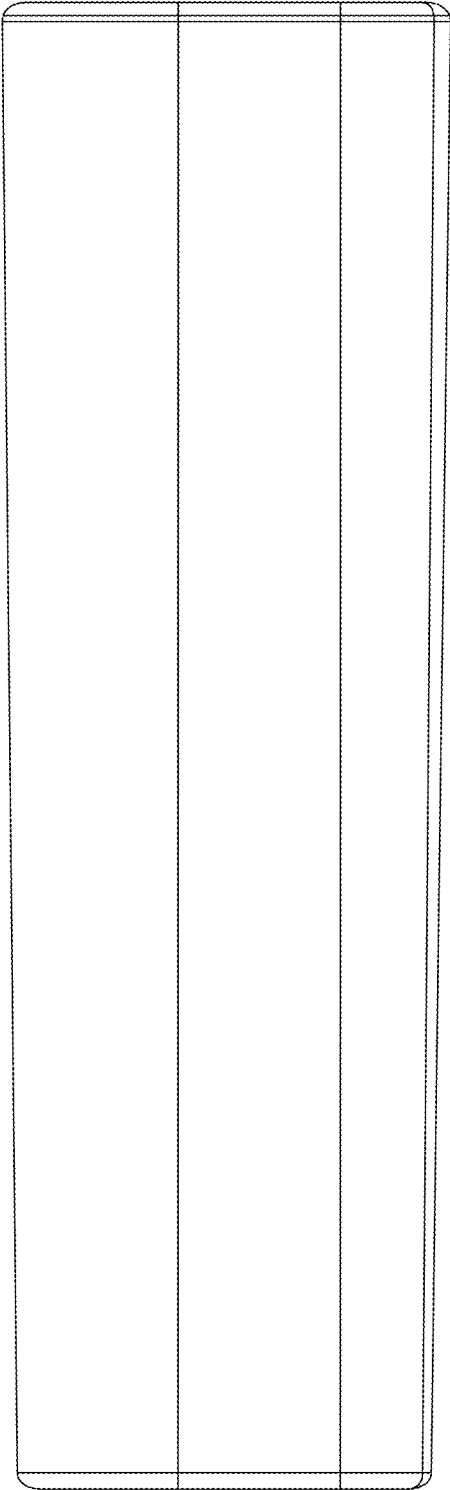




FIG 7

