

[54] **HOLDER FOR DENTAL PLAQUE DETECTION SYSTEM**

[75] **Inventor:** John Wistrand, New Canaan, Conn.

[73] **Assignee:** Clairol Incorporated, New York, N.Y.

[\*\*] **Term:** 14 Years

[21] **Appl. No.:** 47,962

[22] **Filed:** Jun. 11, 1979

[51] **Int. Cl.** ..... D3-02

[52] **U.S. Cl.** ..... D3/39

[58] **Field of Search** ..... D3/30, 39, 74; D27/43, D27/48; D9/222, 193; D24/10, 15; 206/83, 45.34, 45.19, 569, 581, 367, 368

[56]

**References Cited**

**U.S. PATENT DOCUMENTS**

D. 154,255	6/1949	England .....	D4/18
D. 180,338	5/1957	Pavelle .....	D9/222
D. 220,996	6/1971	Irons et al. ....	D9/193
3,612,335	10/1971	Schurman .....	206/45.34
4,032,006	6/1977	Cantarella .....	206/45.19

*Primary Examiner*—George P. Word  
*Attorney, Agent, or Firm*—Gerald S. Rosen; George A. Mentis

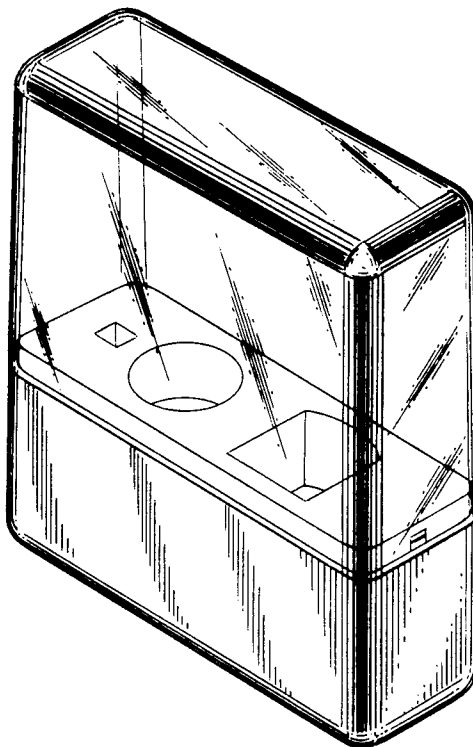
[57]

**CLAIM**

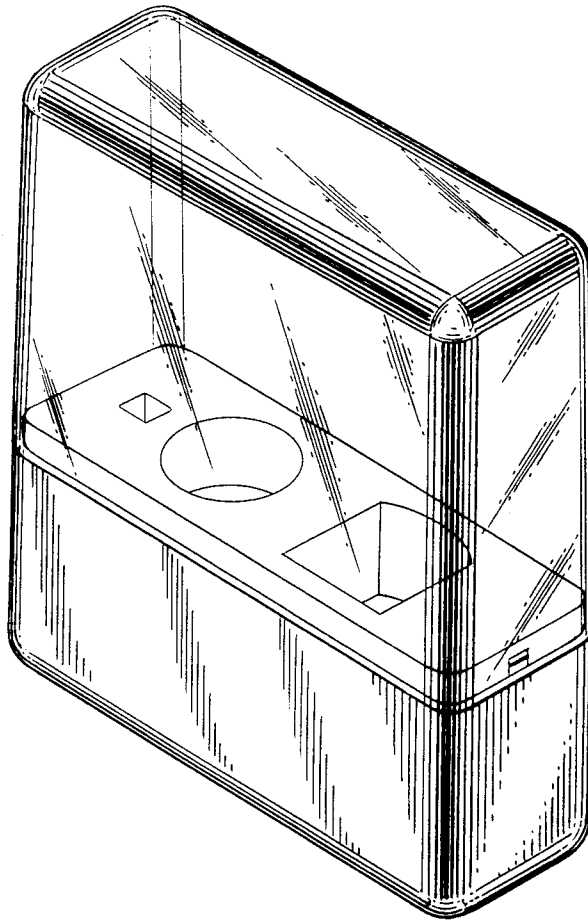
The ornamental design for a holder for dental plaque detection system, as shown and described.

**DESCRIPTION**

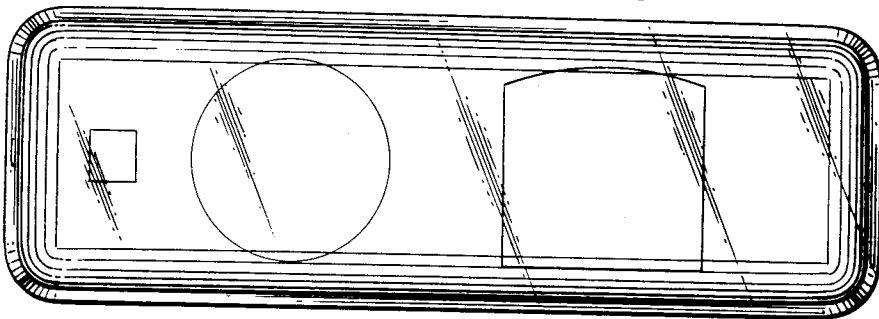
FIG. 1 is a front perspective view of a holder for dental plaque detection system showing my new design; FIG. 2 is a top plan view thereof; FIG. 3 is a bottom plan view thereof; FIG. 4 is a side elevational view thereof; and FIG. 5 is a rear elevational view thereof.



*FIG. 1*



*FIG. 2*



*FIG. 3*

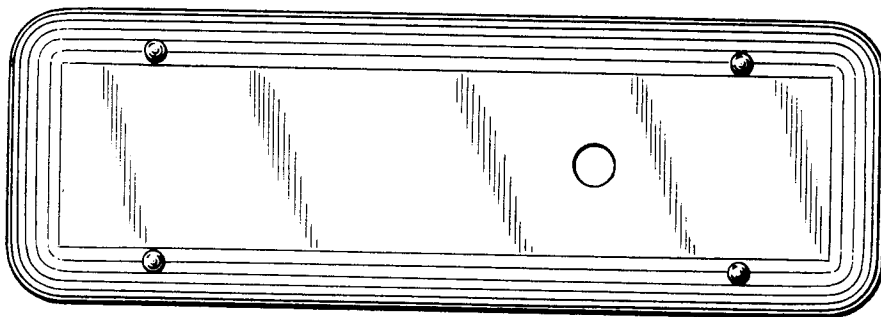


FIG. 5

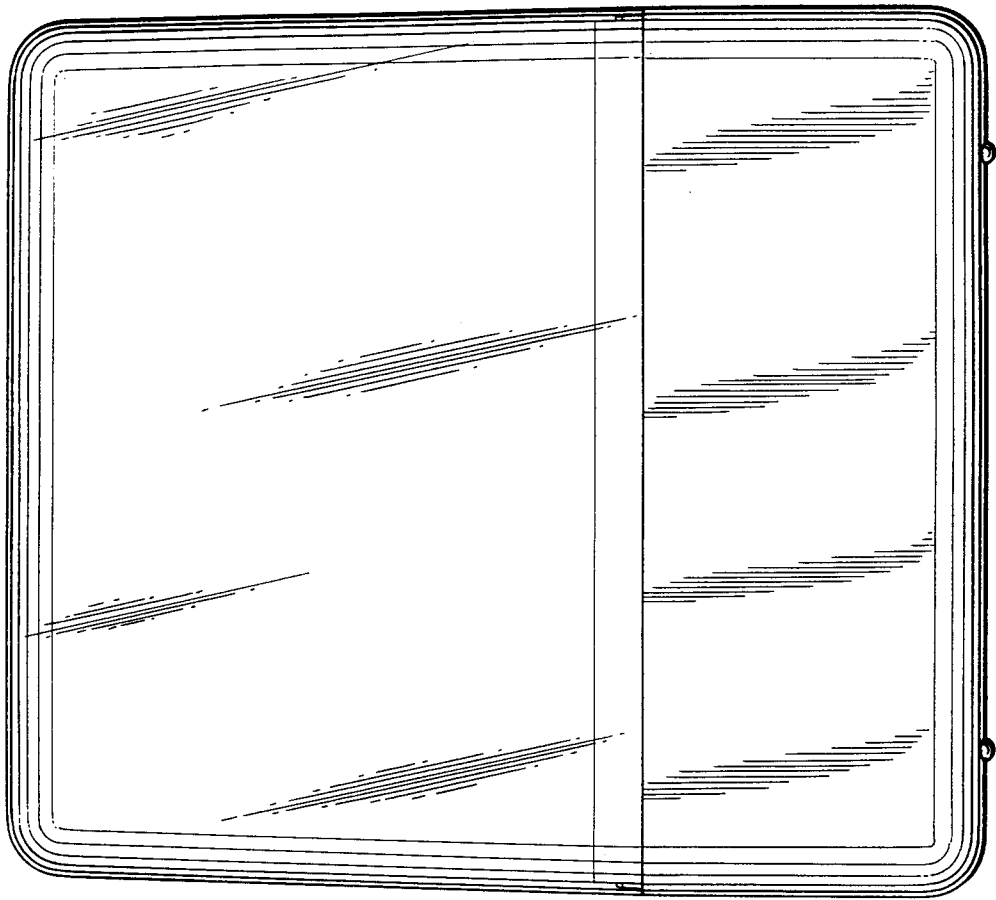


FIG. 4

