



US00D740232S

(12) **United States Design Patent**  
**Auguste et al.**

(10) **Patent No.:** **US D740,232 S**

(45) **Date of Patent:** **\*\* Oct. 6, 2015**

(54) **GASKET FOR AN ELECTRIC PLUG**

**DESCRIPTION**

- (71) Applicants: **Donna M. Auguste**, Denver, CO (US);  
**David E. Hayes**, Denver, CO (US)
- (72) Inventors: **Donna M. Auguste**, Denver, CO (US);  
**David E. Hayes**, Denver, CO (US)
- (\*\*) Term: **14 Years**
- (21) Appl. No.: **29/453,437**
- (22) Filed: **Apr. 29, 2013**
- (51) **LOC (10) Cl.** ..... **13-03**
- (52) **U.S. Cl.**  
USPC ..... **D13/156**
- (58) **Field of Classification Search**  
USPC ..... D13/156, 133, 137.1, 137.2, 138.1,  
D13/138.2, 154, 177, 184, 199; D8/352,  
D8/353, 354; D9/439; 174/1, 66, 67;  
439/89, 105, 109, 149, 152, 445, 625,  
439/651, 721, 934, 956  
CPC ..... H01R 27/00; H01R 31/06  
See application file for complete search history.

(56) **References Cited**

**U.S. PATENT DOCUMENTS**

D295,622	S	*	5/1988	Good et al.	.....	D13/137.3
D379,964	S	*	6/1997	Maddock et al.	.....	D13/138.1
D382,540	S	*	8/1997	Hahn	.....	D13/138.1
5,702,259	A	*	12/1997	Lee	.....	439/137
5,743,753	A	*	4/1998	Yen	.....	439/143
5,919,060	A	*	7/1999	Lee	.....	439/518
D428,390	S	*	7/2000	Wang	.....	D13/138.2
6,247,941	B1	*	6/2001	Lee et al.	.....	439/105
D648,678	S	*	11/2011	Thornton	.....	D13/138.2
D666,158	S	*	8/2012	Auguste et al.	.....	D13/156

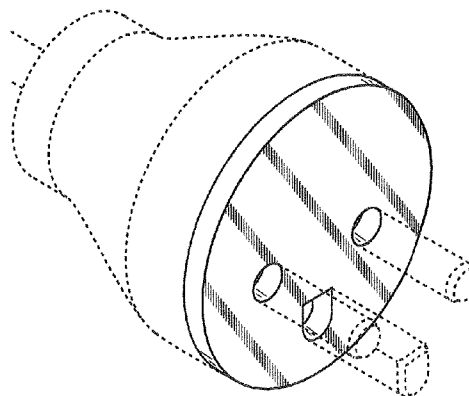
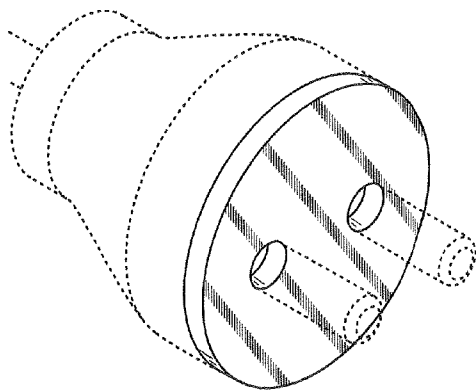
(Continued)

*Primary Examiner* — Derrick Holland  
*Assistant Examiner* — Jennifer O King  
(74) *Attorney, Agent, or Firm* — TIPS Group

(57) **CLAIM**  
The ornamental design for a gasket for an electric plug, as shown and described.

FIG. 1 is a perspective view of a gasket for an electric plug showing a first embodiment of our new design;  
FIG. 2 is a front elevational view thereof, the rear elevational view being a mirror image;  
FIG. 3 is a top plan view thereof, the bottom plan view being a mirror image;  
FIG. 4 is a perspective view of a gasket for an electric plug showing a second embodiment of our new design;  
FIG. 5 is a front elevational view thereof, the rear elevational view being a mirror image;  
FIG. 6 is a top plan view thereof, the bottom plan view being a mirror image;  
FIG. 7 is a perspective view of a gasket for an electric plug showing a third embodiment of our new design;  
FIG. 8 is a front elevational view thereof, the rear elevational view being a mirror image;  
FIG. 9 is a top plan view thereof, the bottom plan view being a mirror image;  
FIG. 10 is a perspective view of a gasket for an electric plug showing a fourth embodiment of our new design;  
FIG. 11 is a front elevational view thereof, the rear elevational view being a mirror image;  
FIG. 12 is a top plan view thereof, the bottom plan view being a mirror image;  
FIG. 13 is a perspective view of a gasket for an electric plug showing a fifth embodiment of our new design;  
FIG. 14 is a front elevational view thereof, the rear elevational view being a mirror image;  
FIG. 15 is a top plan view thereof, the bottom plan view being a mirror image;  
FIG. 16 is a perspective view of a gasket for an electric plug showing a sixth embodiment of our new design;  
FIG. 17 is a front elevational view thereof, the rear elevational view being a mirror image; and,  
FIG. 18 is a top plan view thereof, the bottom plan view being a mirror image.  
The broken lines shown represent unclaimed subject matter and form no part of the claimed design.

**1 Claim, 6 Drawing Sheets**



# US D740,232 S

Page 2

---

(56)

## References Cited

### U.S. PATENT DOCUMENTS

D708,147 S *	7/2014	Auguste et al. ....	D13/156
D708,148 S *	7/2014	Auguste et al. ....	D13/156
D708,149 S *	7/2014	Auguste et al. ....	D13/156
D704,636 S *	5/2014	Huang .....	D13/108

\* cited by examiner

Fig. 1

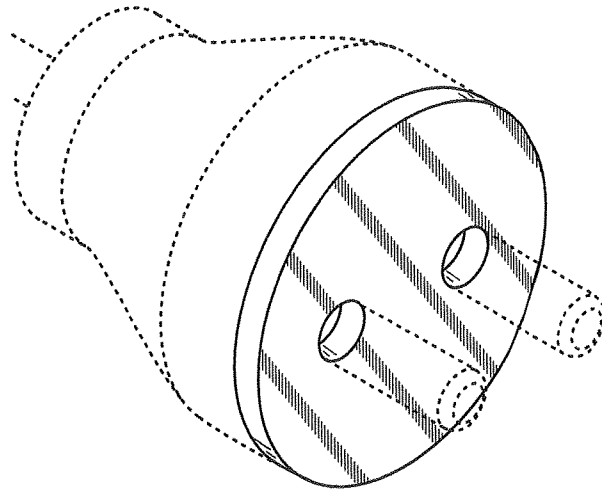


Fig. 2

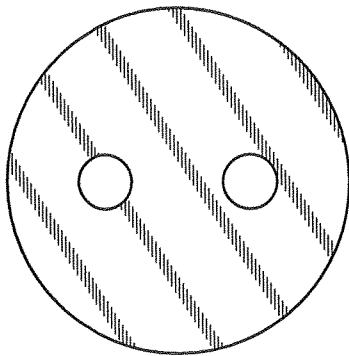


Fig. 3



Fig. 4

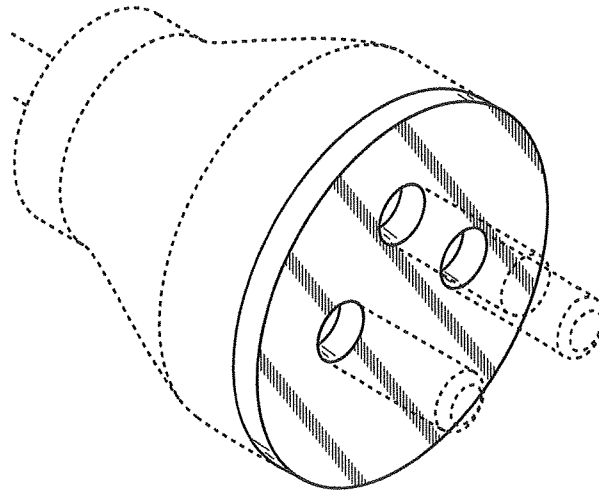


Fig. 5

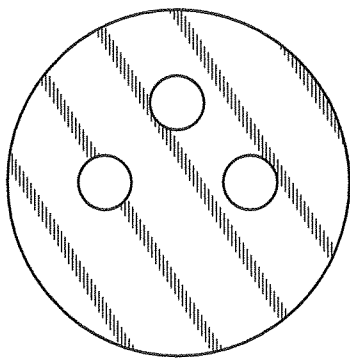


Fig. 6



Fig. 7

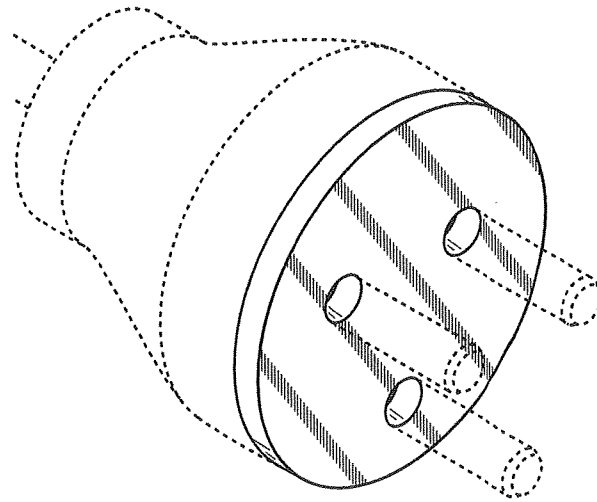


Fig. 8

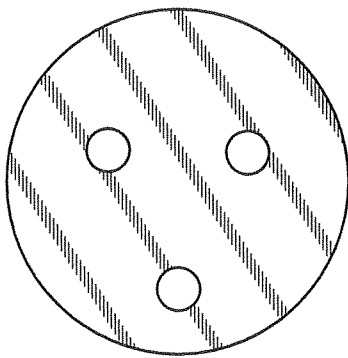


Fig. 9



Fig.10

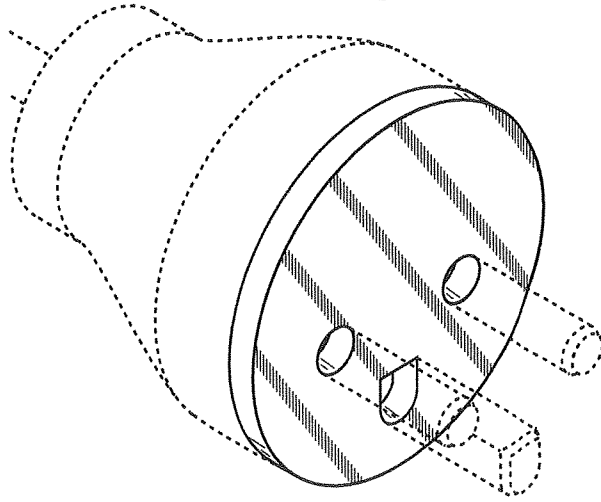


Fig. 11

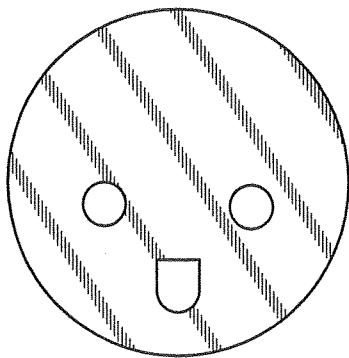


Fig. 12



Fig. 13

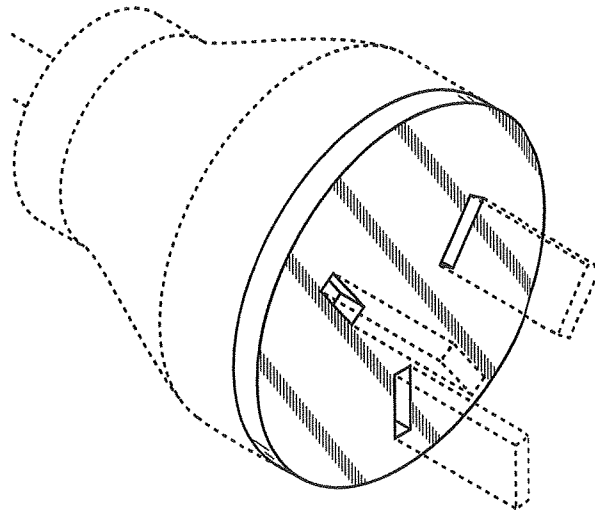


Fig.14

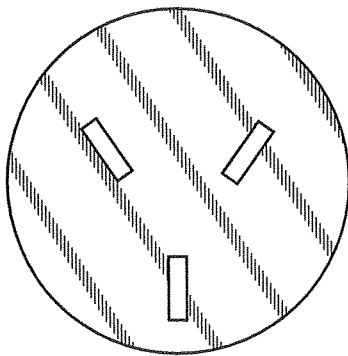


Fig. 15



Fig. 16

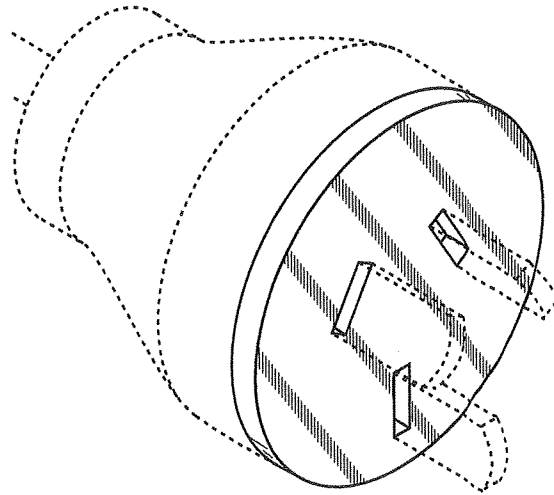


Fig. 17

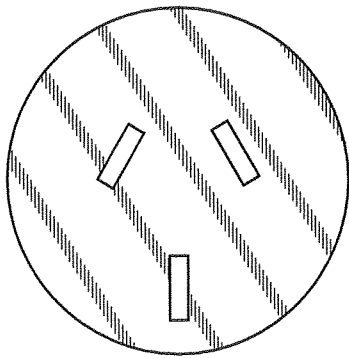


Fig. 18

