

(19) World Intellectual Property Organization  
International Bureau



(43) International Publication Date  
29 September 2005 (29.09.2005)

PCT

(10) International Publication Number  
WO 2005/090038 A3

- (51) International Patent Classification<sup>7</sup>: **B29B 7/76**,  
7/74, B05B 15/02, 15/06, B25H 1/00
- (21) International Application Number:  
PCT/US2005/008324
- (22) International Filing Date: 14 March 2005 (14.03.2005)
- (25) Filing Language: English
- (26) Publication Language: English
- (30) Priority Data:  
60/552,210 12 March 2004 (12.03.2004) US
- (71) Applicant (for all designated States except US): **INTEL-LIPACK** [US/US]; 12322 E. 55th Street, Tulsa, OK 74146 (US).

AT, AU, AZ, BA, BB, BG, BR, BW, BY, BZ, CA, CH, CN, CO, CR, CU, CZ, DE, DK, DM, DZ, EC, EE, EG, ES, FI, GB, GD, GE, GH, GM, HR, HU, ID, IL, IN, IS, JP, KE, KG, KP, KR, KZ, LC, LK, LR, LS, LT, LU, LV, MA, MD, MG, MK, MN, MW, MX, MZ, NA, NI, NO, NZ, OM, PG, PH, PL, PT, RO, RU, SC, SD, SE, SG, SK, SL, SM, SY, TJ, TM, TN, TR, TT, TZ, UA, UG, US, UZ, VC, VN, YU, ZA, ZM, ZW.

- (72) Inventors; and
- (75) Inventors/Applicants (for US only): **BERTRAM, George** [US/US]; 4 Windy Woods Circle, Newtown, CT 06470 (US). **WALKER, Doug** [US/US]; 23 Farmington Drive, Hamden, CT 06518 (US).
- (74) Agents: **RODGERS, Dennis, C.** et al.; Smith, Gambrell & Russell, LLP, 1850 M Street, N.W. Suite 800, Washington, DC 20036 (US).
- (81) Designated States (unless otherwise indicated, for every kind of national protection available): AE, AG, AL, AM,

(84) Designated States (unless otherwise indicated, for every kind of regional protection available): ARIPO (BW, GH, GM, KE, LS, MW, MZ, NA, SD, SL, SZ, TZ, UG, ZM, ZW), Eurasian (AM, AZ, BY, KG, KZ, MD, RU, TJ, TM), European (AT, BE, BG, CH, CY, CZ, DE, DK, EE, ES, FI, FR, GB, GR, HU, IE, IS, IT, LT, LU, MC, NL, PL, PT, RO, SE, SI, SK, TR), OAPI (BF, BJ, CF, CG, CI, CM, GA, GN, GQ, GW, ML, MR, NE, SN, TD, TG).

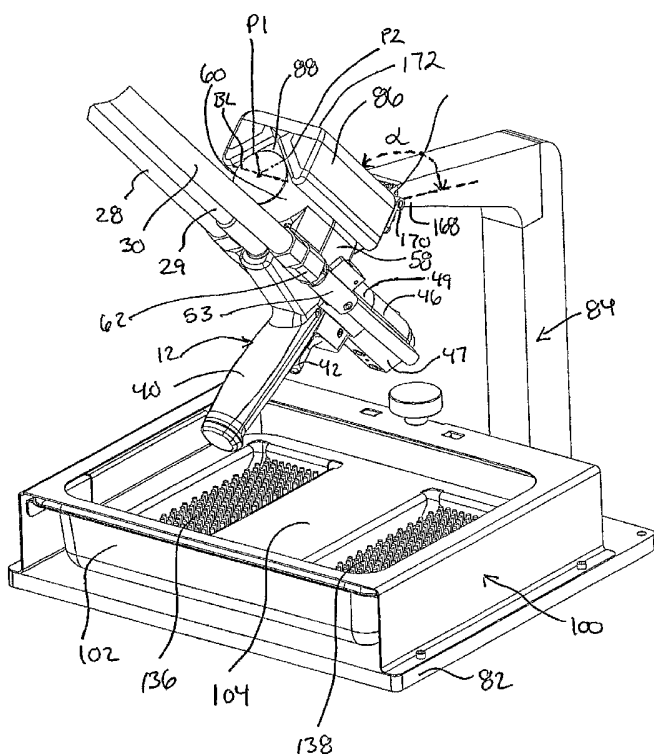
**Published:**

- with international search report
- before the expiration of the time limit for amending the claims and to be republished in the event of receipt of amendments

(88) Date of publication of the international search report:  
16 February 2006

For two-letter codes and other abbreviations, refer to the "Guidance Notes on Codes and Abbreviations" appearing at the beginning of each regular issue of the PCT Gazette.

(54) Title: DISPENSER SYSTEM WITH DISPENSER HOLSTER



(57) Abstract: A dispenser holster assembly having a support structure (89) as in a weighted base plate and a support arm with cantilever upper section which is attached to a cradle (86) for holding a dispenser (12) component within a V-shaped capture recess (90) of the cradle, preferably by way of magnetic attraction between cradle magnet(s) and a component of the motor as in the magnetic material in an electric motor of the dispenser positioned on the top of the dispenser and contacted by the downwardly facing V-shaped recess. The cradle is preferably attached to the support arm with a pivot connection. There is further preferably provided a solvent pan (102) supported by said support structure and a brush reception housing (104) which has multiple brush reception openings that place supported brushes within the solvent in the solvent pan. The solvent pan is supported by a pan holder that has slide rails and there is a pan locking device which holds the pan in place during use. The pan holder also supports the brush reception housing so that the brush device retained by the brush insert are placed in the solvent pool and have exposed bristle faces directly below the cradle. In a method of using the dispenser's motor is magnetically attached to the downwardly facing cradle when parked and the dispenser's tip is scraped on the bristles between uses.

WO 2005/090038 A3

# INTERNATIONAL SEARCH REPORT

International Application No  
PCT/US2005/008324

A. CLASSIFICATION OF SUBJECT MATTER  
B29B7/76 B29B7/74 B05B15/02 B05B15/06 B25H1/00

According to International Patent Classification (IPC) or to both national classification and IPC

## B. FIELDS SEARCHED

Minimum documentation searched (classification system followed by classification symbols)  
B29B B05B B25H

Documentation searched other than minimum documentation to the extent that such documents are included in the fields searched

Electronic data base consulted during the international search (name of data base and, where practical, search terms used)

EPO-Internal, PAJ, WPI Data

## C. DOCUMENTS CONSIDERED TO BE RELEVANT

Category °	Citation of document, with indication, where appropriate, of the relevant passages	Relevant to claim No.
Y	EP 1 013 346 A (PRAETORIUS, MAX) 28 June 2000 (2000-06-28) figures 1-11	1-26
Y	US 4 872 633 A (SULLIVAN ET AL) 10 October 1989 (1989-10-10) abstract; claim 11	1-26,28, 29,37,38
X	DE 85 06 295 U1 (FROHNE, NORBERT, 40211 DUESSELDORF, DE) 15 December 1994 (1994-12-15) figures 1,2	27,30-32
X	GB 2 042 326 A (BUNGE J) 24 September 1980 (1980-09-24) figures 1,7,8	27, 30-32,36 28,29, 37,38
Y		
	----- -/--	

Further documents are listed in the continuation of box C.

Patent family members are listed in annex.

° Special categories of cited documents :

"A" document defining the general state of the art which is not considered to be of particular relevance

"E" earlier document but published on or after the international filing date

"L" document which may throw doubts on priority claim(s) or which is cited to establish the publication date of another citation or other special reason (as specified)

"O" document referring to an oral disclosure, use, exhibition or other means

"P" document published prior to the international filing date but later than the priority date claimed

"T" later document published after the international filing date or priority date and not in conflict with the application but cited to understand the principle or theory underlying the invention

"X" document of particular relevance; the claimed invention cannot be considered novel or cannot be considered to involve an inventive step when the document is taken alone

"Y" document of particular relevance; the claimed invention cannot be considered to involve an inventive step when the document is combined with one or more other such documents, such combination being obvious to a person skilled in the art.

"&" document member of the same patent family

Date of the actual completion of the international search

3 August 2005

Date of mailing of the international search report

05. 12. 2005

Name and mailing address of the ISA

European Patent Office, P.B. 5818 Patentlaan 2  
NL - 2280 HV Rijswijk  
Tel. (+31-70) 340-2040, Tx. 31 651 epo nl,  
Fax: (+31-70) 340-3016

Authorized officer

Kofoed, J

3

# INTERNATIONAL SEARCH REPORT

International Application No  
PCT/US2005/008324

C.(Continuation) DOCUMENTS CONSIDERED TO BE RELEVANT		
Category °	Citation of document, with indication, where appropriate, of the relevant passages	Relevant to claim No.
P,A	US 2004/222239 A1 (HAYDUK MATTHEW) 11 November 2004 (2004-11-11) figure 1  -----	1-32, 36-38
A	US 5 590 816 A (BERTRAM ET AL) 7 January 1997 (1997-01-07) abstract; figure 1  -----	1-32, 36-38
A	US 3 366 337 A (BROOKS WILLIAM R ET AL) 30 January 1968 (1968-01-30) figure 2  -----	1-32, 36-38
A	US 4 428 530 A (CHABRIA ET AL) 31 January 1984 (1984-01-31) figures 1,2,13  -----	1-32, 36-38
A	US 4 546 549 A (DUPERON ET AL) 15 October 1985 (1985-10-15) abstract  -----	1-26,28, 29,37,38
A	US 2002/153394 A1 (BORSON JAMES TIMOTHY) 24 October 2002 (2002-10-24) claim 4  -----	1-26,28, 29,37,38

# INTERNATIONAL SEARCH REPORT

Information on patent family members

International Application No

PCT/US2005/008324

Patent document cited in search report		Publication date	Patent family member(s)	Publication date
EP 1013346	A	28-06-2000	AT 232143 T	15-02-2003
US 4872633	A	10-10-1989	NONE	
DE 8506295	U1	15-12-1994	NONE	
GB 2042326	A	24-09-1980	NONE	
US 2004222239	A1	11-11-2004	NONE	
US 5590816	A	07-01-1997	AT 177043 T	15-03-1999
			AU 693316 B2	25-06-1998
			AU 4522096 A	10-07-1996
			BR 9510370 A	02-06-1998
			CN 1171075 A	21-01-1998
			DE 69508114 D1	08-04-1999
			DE 69508114 T2	16-09-1999
			EP 0799116 A1	08-10-1997
			ES 2128115 T3	01-05-1999
			FI 972625 A	19-08-1997
			HU 77997 A2	28-04-1999
			JP 10511303 T	04-11-1998
			NO 972851 A	29-07-1997
			PL 320917 A1	10-11-1997
			WO 9619329 A1	27-06-1996
			US 5709317 A	20-01-1998
US 3366337	A	30-01-1968	NONE	
US 4428530	A	31-01-1984	NONE	
US 4546549	A	15-10-1985	NONE	
US 2002153394	A1	24-10-2002	NONE	

# INTERNATIONAL SEARCH REPORT

International application No.  
PCT/US2005/008324

## Box II Observations where certain claims were found unsearchable (Continuation of item 2 of first sheet)

This International Search Report has not been established in respect of certain claims under Article 17(2)(a) for the following reasons:

1.  Claims Nos.:  
because they relate to subject matter not required to be searched by this Authority, namely:
  
2.  Claims Nos.:  
because they relate to parts of the International Application that do not comply with the prescribed requirements to such an extent that no meaningful International Search can be carried out, specifically:
  
3.  Claims Nos.:  
because they are dependent claims and are not drafted in accordance with the second and third sentences of Rule 6.4(a).

## Box III Observations where unity of invention is lacking (Continuation of item 3 of first sheet)

This International Searching Authority found multiple inventions in this international application, as follows:

see additional sheet

1.  As all required additional search fees were timely paid by the applicant, this International Search Report covers all searchable claims.
  
2.  As all searchable claims could be searched without effort justifying an additional fee, this Authority did not invite payment of any additional fee.
  
3.  As only some of the required additional search fees were timely paid by the applicant, this International Search Report covers only those claims for which fees were paid, specifically claims Nos.:
  
4.  No required additional search fees were timely paid by the applicant. Consequently, this International Search Report is restricted to the invention first mentioned in the claims; it is covered by claims Nos.:

1-32, 36-38

Remark on Protest

- The additional search fees were accompanied by the applicant's protest.
- No protest accompanied the payment of additional search fees.

FURTHER INFORMATION CONTINUED FROM PCT/ISA/ 210

This International Searching Authority found multiple (groups of) inventions in this international application, as follows:

1. claims: 1-32,36-38

holster with special cradle, e.g. with magnetic means, for holding a hand held dispenser.

---

2. claims: 33-35

Holster with cradle for holding a dispenser with special arrangements, e.g. brushes and solvent pans, for cleaning a dispenser nozzle

---