



US00D429578S

United States Patent [19]

[11] Patent Number: **Des. 429,578**

Vesco

[45] Date of Patent: **** Aug. 22, 2000**

[54] **HOLDER FOR A COMPACT DISK**

2,688,490	9/1954	Schumaker	211/40
4,306,344	12/1981	Floss	29/238
4,316,281	2/1982	Prusak	369/291
4,377,233	3/1983	Pahler	206/310
4,700,839	10/1987	Fujii	206/308.3
5,421,950	6/1995	Parrish	156/579
5,783,031	7/1998	Sievers	156/556
5,783,033	7/1998	Grossman	156/556
5,902,446	5/1999	Casillo et al.	156/379.8
5,951,819	9/1999	Hummel et al.	156/556
5,958,177	9/1999	Claussnitzer	156/391

[75] Inventor: **Thierry Vesco**, Decines, France

[73] Assignee: **Systeme Creation Pratique**, Decines, France

[**] Term: **14 Years**

[21] Appl. No.: **29/105,805**

[22] Filed: **Jun. 2, 1999**

[30] Foreign Application Priority Data

Apr. 1, 1999 [XH] Hague Agreement DM/047701

[51] **LOC (7) Cl.** **06-04**

[52] **U.S. Cl.** **D6/407; D6/466**

[58] **Field of Search** D6/407, 626-630, D6/462-468, 450, 457, 473-476, 556-567, 570-572, 553; 312/9.1-9.64; D19/90; D32/55, 58; 211/40, 41.1, 41.2, 41.3, 41.4, 42, 41.12, 44, 41.18, 48; 206/307.1, 307, 308.1, 445, 387.15, 454, 387.1, 425; 156/556; D15/140; D8/71

[56] References Cited

U.S. PATENT DOCUMENTS

D. 390,241	2/1998	Mori	D15/140
D. 421,057	2/2000	Hummel et al.	D19/65

Primary Examiner—Jeffrey Asch
Attorney, Agent, or Firm—Ostrolenk, Faber, Gerb & Soffen, LLP

[57] CLAIM

The ornamental design for a holder for a compact disk, as shown and described.

DESCRIPTION

FIG. 1 is a front, right, top perspective view of a holder for a compact disk showing my new design;
FIG. 2 is a front view thereof;
FIG. 3 is a left side view thereof, the right side view being a mirror image;
FIG. 4 is a rear view thereof;
FIG. 5 is a top view thereof; and,
FIG. 6 is a bottom view thereof.

1 Claim, 4 Drawing Sheets

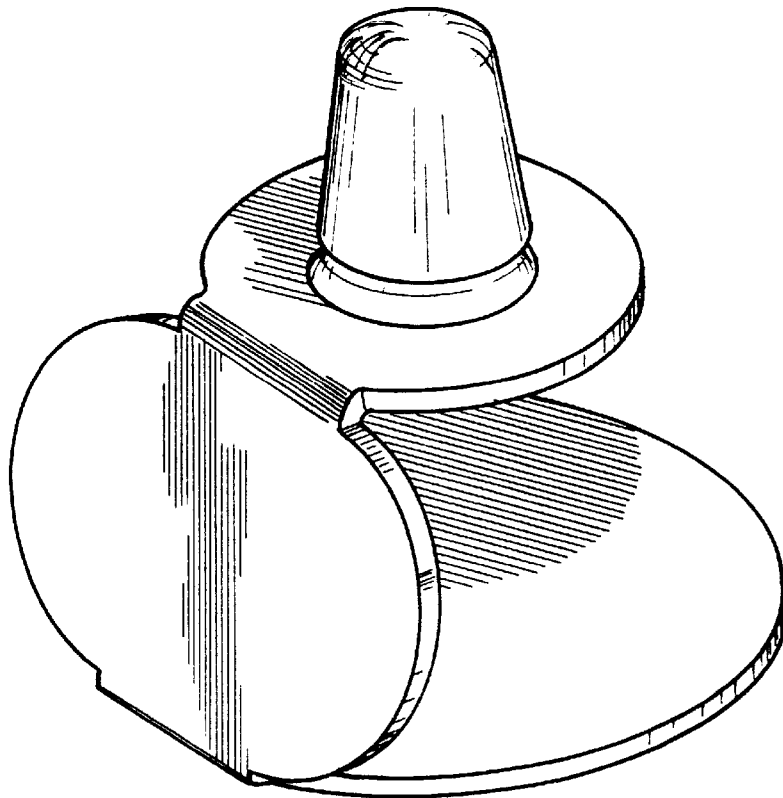


FIG. 1

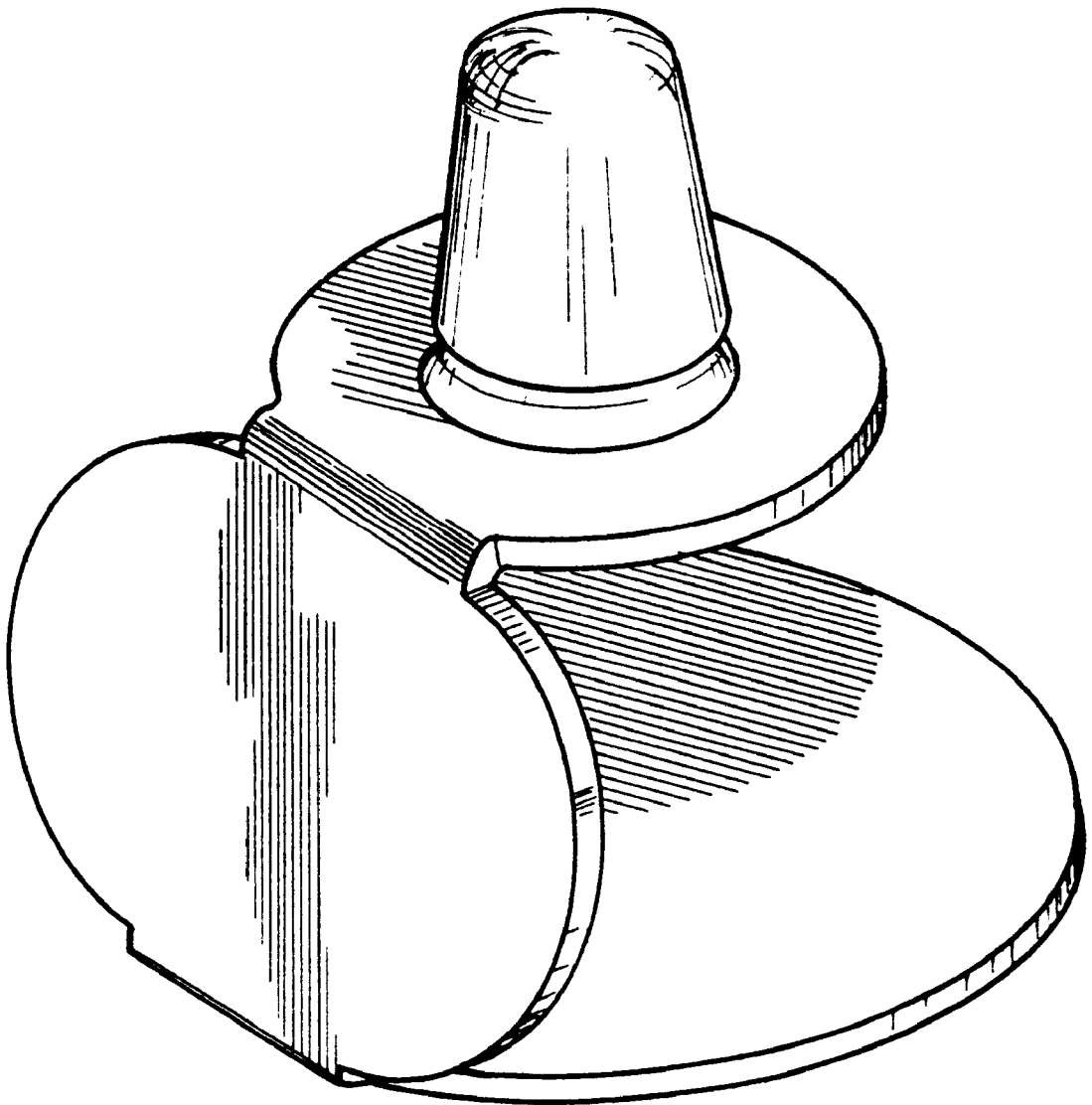


FIG. 2

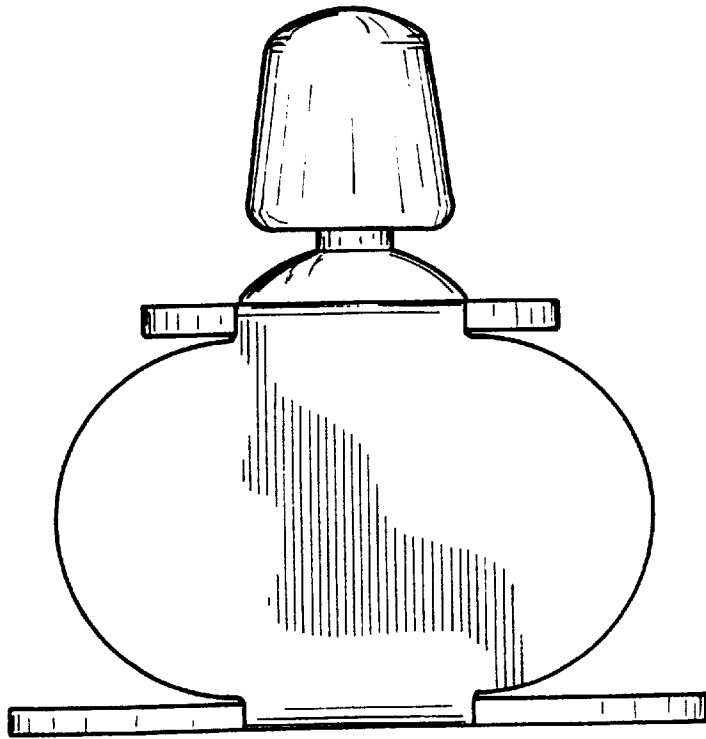


FIG. 3

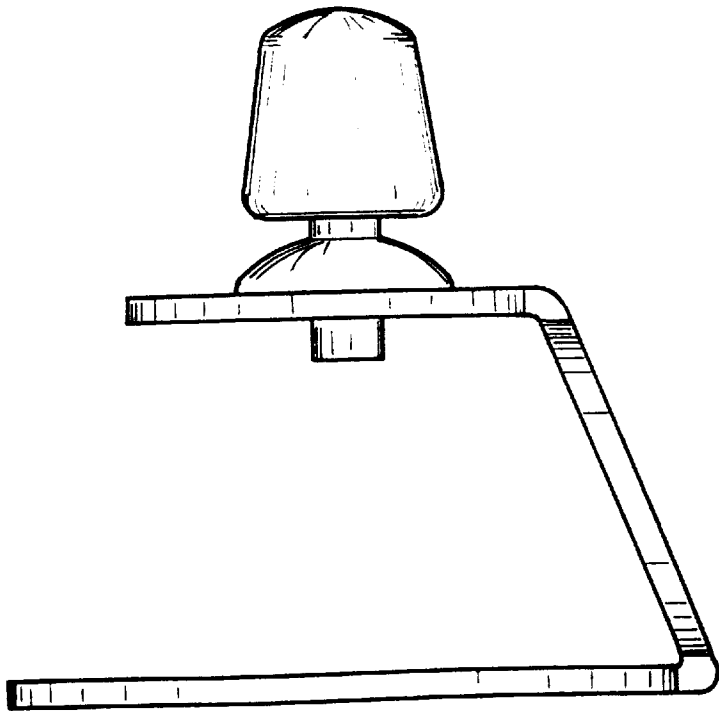


FIG. 4

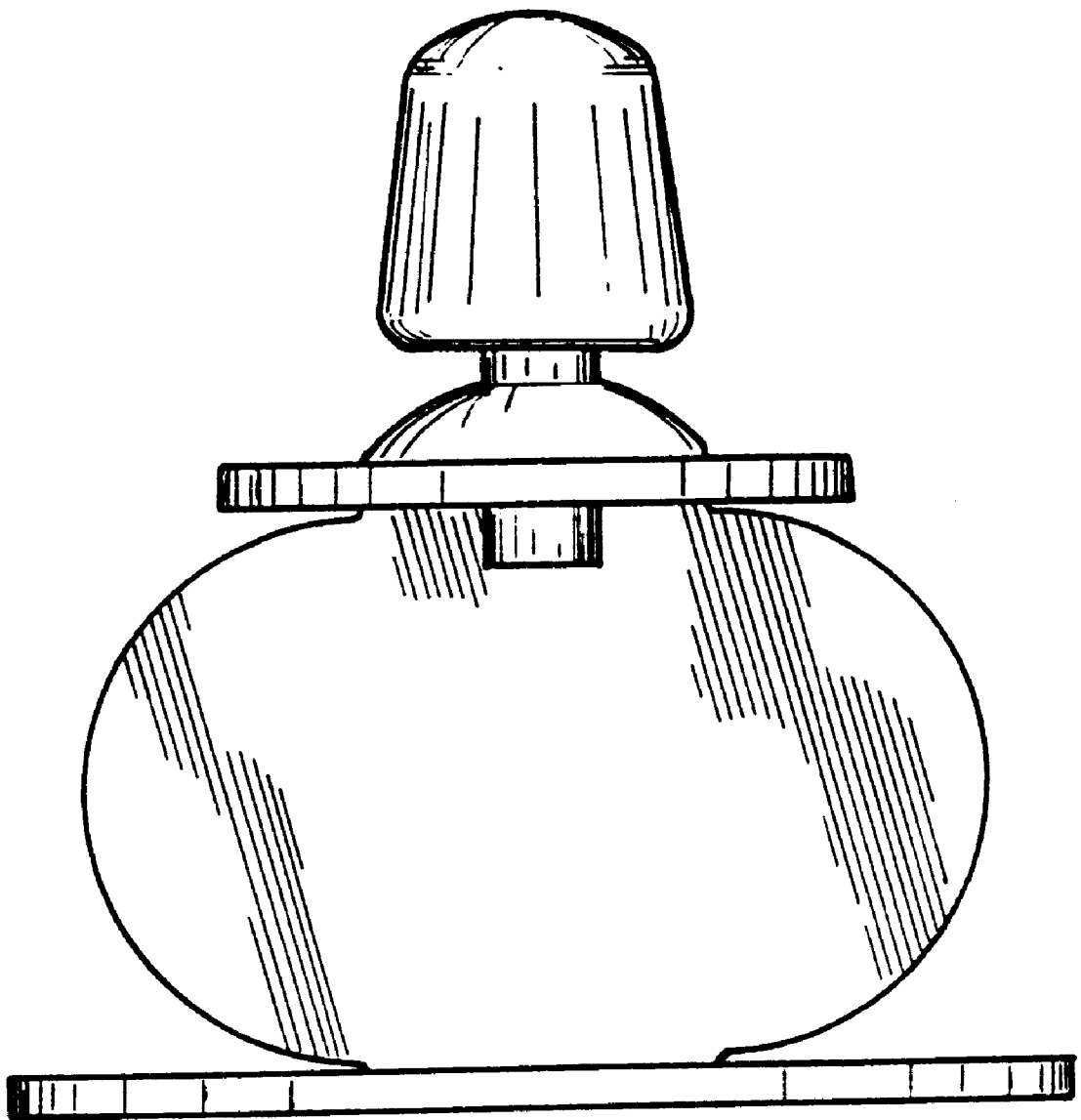


FIG. 5

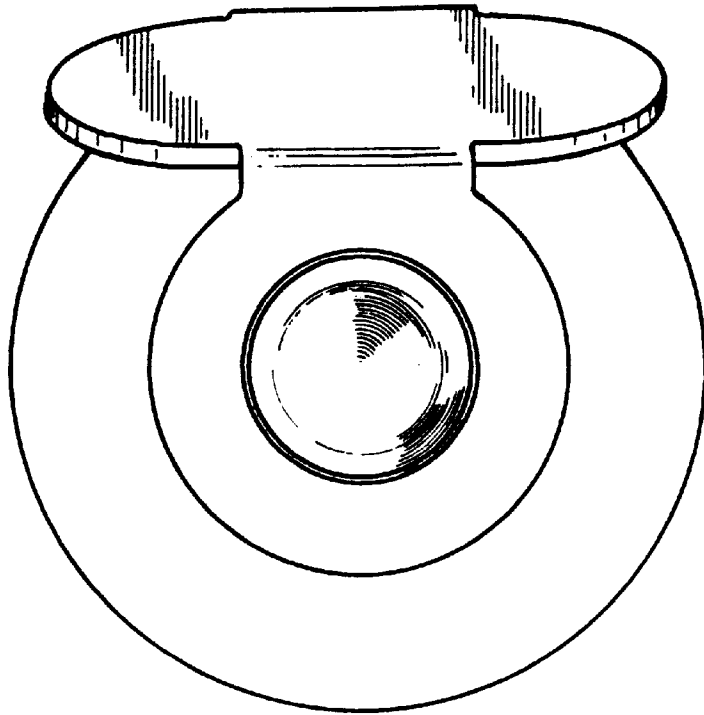


FIG. 6

