



(12) **United States Design Patent**
Bottari

(10) **Patent No.:** **US D867,060 S**
(45) **Date of Patent:** **** *Nov. 19, 2019**

(54) **BEVERAGE CAN LID**

(71) Applicant: **Jake Bottari**, Boise, ID (US)

(72) Inventor: **Jake Bottari**, Boise, ID (US)

(*) Notice: This patent is subject to a terminal disclaimer.

(**) Term: **15 Years**

(21) Appl. No.: **29/624,528**

(22) Filed: **Nov. 1, 2017**

(51) **LOC (12) Cl.** **07-99**

(52) **U.S. Cl.**
USPC **D7/396.2**

(58) **Field of Classification Search**

USPC D7/300.1, 387, 388, 391, 392, 392.1, D7/393, 394, 395, 396.1, 396.2, 396.6, D7/397, 398, 403, 509, 510, 511, 566, D7/624.1, 625, 672, 900; D9/434, 435, D9/436, 437, 438, 443, 448, 449, 450, D9/451, 454, 453, 516, 529, 548, 685, D9/686, 723, 730, 763; D8/300, 303, D8/330, 354, 356, 382, 396; D23/206, D23/209, 259, 260, 365; D24/121, 127, D24/194, 196; D34/1, 7, 10, 11; D32/68, 70, 72

CPC .. A01G 31/02; A01G 9/0293; B65D 43/0231; B65D 51/24; B65D 51/245; B65D 51/242; B65D 83/0038; B65D 17/08; B65D 2517/0062; B65D 2543/0037; B65D 41/04; B65D 25/18; B65D 47/122; B65D 47/305; B65D 23/00; B65D 1/00; B65D 1/02; B65D 1/0223; B65D 50/041; B65D 39/08; B44D 3/006; A46B 2200/1046; A46B 17/00; A46B 17/02; A46B 17/06; A46B 17/07; A46B 17/08; A45D 33/04; A45D 34/04; A45D 40/04; A45D 2034/005; A45D 2040/0043; A45D 2040/0062; F25D 31/007; F25D 3/06; F25D 3/08; F25D 2303/081; B21D 51/32; B21D 51/44; A47G

(Continued)

(56) **References Cited**

U.S. PATENT DOCUMENTS

993,163 A * 5/1911 Grilk B65D 51/242
16/440
1,043,203 A * 11/1912 Christian B65D 9/32
217/17
D160,648 S * 10/1950 Munk-Muller D7/391
(Continued)

OTHER PUBLICATIONS

Charcoal Companion: Announced Jan. 8, 2011 [online]. Site Visited [May 20, 2019]. Available from Internet URL: https://www.amazon.com/Charcoal-Companion-CC5023-7-Inch-Diameter/dp/B000M5NOI8/ref=cm_cr_arp_d_product_top?ie=UTF8.*

(Continued)

Primary Examiner — Jennifer Rivard
Assistant Examiner — Catherine S Posthauer
(74) *Attorney, Agent, or Firm* — Sean D. Burdick;
Burdick Patents, P.A.

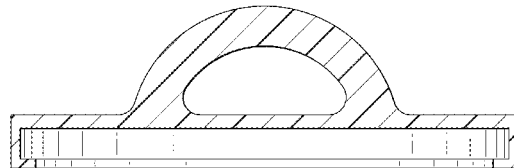
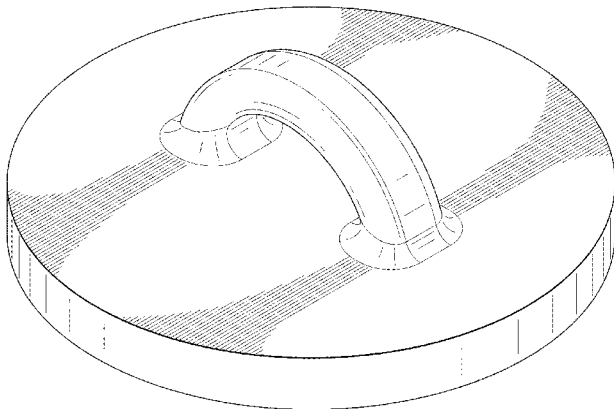
(57) **CLAIM**

The ornamental design for a beverage can lid, as shown and described.

DESCRIPTION

FIG. 1 is a front perspective view of a beverage can lid. FIG. 2 is a front side view thereof. FIG. 3 is a right side view thereof. FIG. 4 is a bottom view thereof. FIG. 5 is a top view thereof. FIG. 6 is a cross sectional view, taken in the direction of line 6-6 on FIG. 5; and, FIG. 7 is a perspective view thereof, shown in an exemplary environment of use. The broken lines are shown for the purpose of illustrating exemplary environmental subject matter and form no part of the claimed design.

1 Claim, 6 Drawing Sheets



(58) **Field of Classification Search**

CPC 19/00; A47G 19/2272; A47F 3/14; A47F 3/16

See application file for complete search history.

D842,027 S * 3/2019 Boroski D7/392.1
 D846,354 S * 4/2019 Omdahl, II D7/510
 2009/0246311 A1* 10/2009 Hauser A47J 43/20
 425/519
 2011/0186585 A1* 8/2011 Lu A47J 41/00
 220/575
 2017/0217638 A1* 8/2017 Faria B65D 51/242

(56) **References Cited**

U.S. PATENT DOCUMENTS

3,401,827 A * 9/1968 Messina B65D 15/14
 220/212.5
 4,320,851 A 3/1982 Montoya
 D271,247 S 11/1983 Lee
 D306,199 S * 2/1990 Meissner D23/209
 4,938,379 A 7/1990 Kellner
 D310,031 S 8/1990 Curasi
 D312,785 S 12/1990 Tucker
 5,273,176 A 12/1993 Diaz
 D358,311 S 5/1995 Sarnoff et al.
 D368,224 S * 3/1996 Arndt D9/436
 D371,486 S * 7/1996 Chan D7/393
 5,547,100 A 8/1996 Johnson
 5,562,205 A 10/1996 Diaz
 D395,196 S * 6/1998 Bell D7/393
 D480,598 S * 10/2003 Teisen-Simony D7/391
 D486,734 S 2/2004 Weber
 D511,669 S * 11/2005 Miller D8/300
 D522,860 S 6/2006 LaFortune
 D579,717 S * 11/2008 Pawson D7/391
 D612,235 S * 3/2010 Cresswell D9/443
 D625,949 S * 10/2010 Rae D7/391
 D630,042 S * 1/2011 Rae D7/391
 D680,389 S * 4/2013 Zemel D7/672
 D692,719 S * 11/2013 Shahani D7/354
 D703,997 S * 5/2014 Munari D7/393
 D706,921 S * 6/2014 Cohen D23/411
 D713,365 S * 9/2014 Green D13/183
 D717,102 S * 11/2014 Taketani D7/392.1
 D722,246 S * 2/2015 Lee D7/354
 D757,486 S * 5/2016 Steiner D7/354
 D795,008 S * 8/2017 Eyal D7/392.1
 D816,400 S * 5/2018 Beckman D7/396.2
 D819,396 S * 6/2018 Seiders D7/392.1
 D819,787 S * 6/2018 Yeater D23/260
 D833,251 S * 11/2018 Hall D8/311

OTHER PUBLICATIONS

Mason Jar Canister Cover: Site Visited [May 20, 2019]. Available from Internet URL: <https://jet.com/product/Mason-Jar-Canister-Converter-Tops-Lids-with-Handles-Coral-Pack-Pack-of-4/53e711b6ae5b489c9b0ccdb7e3e5c0bd>.
 Stock Pot Cover: Announced Jul. 31, 2016 [online]. Site Visited [May 20, 2019]. Available from Internet URL: <https://www.katom.com/370-APTC40.html>.
 Wenko Urban Trash Can: Announced Feb. 19, 2017 [online]. Site Visited [May 20, 2019]. Available from Internet URL: <https://www.homedepot.com/p/Wenko-Urban-0-79-Gal-Zinc-Plated-Easy-Close-Step-on-Trash-Can-18691100/300975369>.
 Silicone Stretch lids (https://www.amazon.com/Silicone-BestOffer-Reusable-Microwave-Organizer/dp/B0743L3S29/ref=sr_1_1_sspa?ie=UTF8&qid=1527003951&sr=8-1-spons&keywords=kuke+silicone+stretch+lids&psc=1), dated Oct. 6, 2017.
 Soda can lid (https://www.amazon.com/Premium-Soda-Can-Lids-Assorted/dp/B01CUNJ3U2/ref=sr_1_4?s=home-garden&ie=UTF8&qid=1527004018&sr=1-4&keywords=aluminum+can+lids), dated Oct. 6, 2017.
 Snap Capp re closable can lid (https://www.amazon.com/Snap-Capp-Re-closable-Assorted-Colors/dp/B002L16F78/ref=sr_1_1?s=home-garden&ie=UTF8&qid=1527004071&sr=1-1&keywords=snap+capp+re+closable+can+lid), dated Oct. 6, 2017.
 Soda Can Fizz Keeper (<http://tweetys.com/soda-can-fizz-keeper.aspx>).
 Soda pop tops (https://www.amazon.com/Soda-Pop-Tops-Covers-Assorted/dp/B071JKCYTF/ref=sr_1_1_sspa?ie=UTF8&qid=1527004184&sr=8-1-spons&keywords=soda+pop+tops&psc=1), dated Oct. 6, 2017.
 Universal soda lids (<https://www.discountmugs.com/product/universal-soda-lids/>), dated Oct. 6, 2017.

* cited by examiner

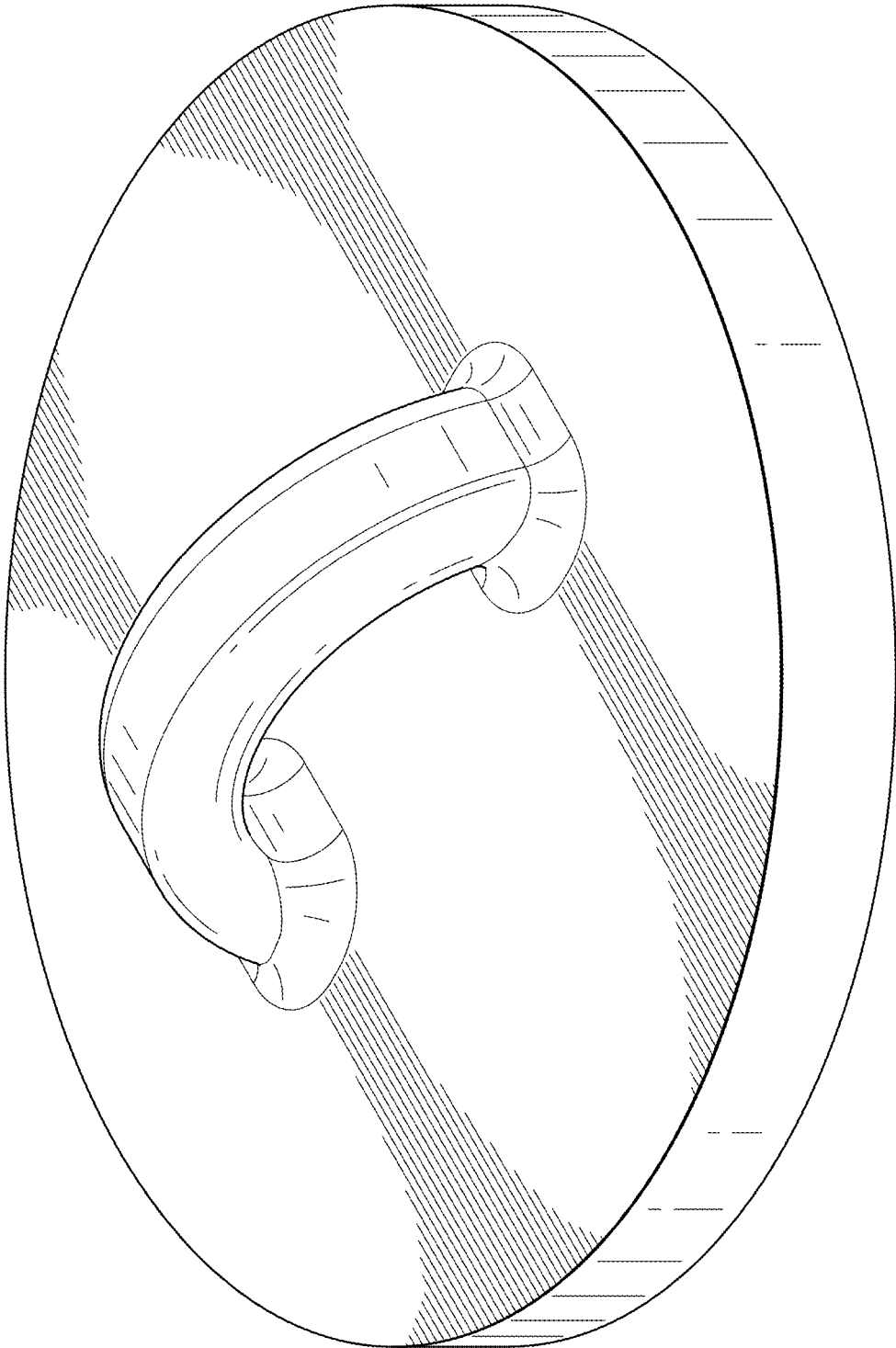


FIG. 1

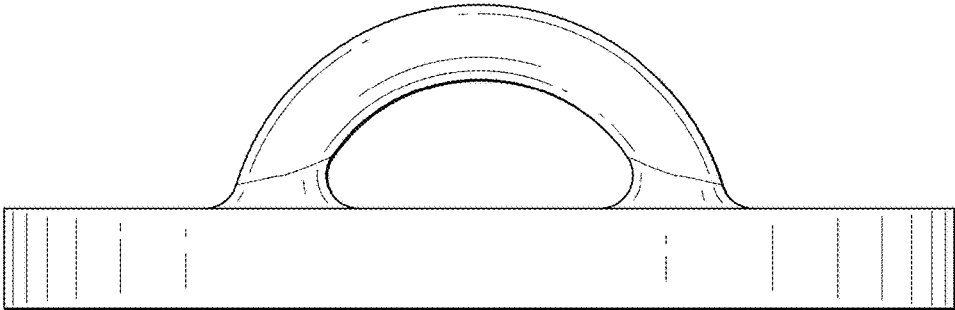


FIG. 2

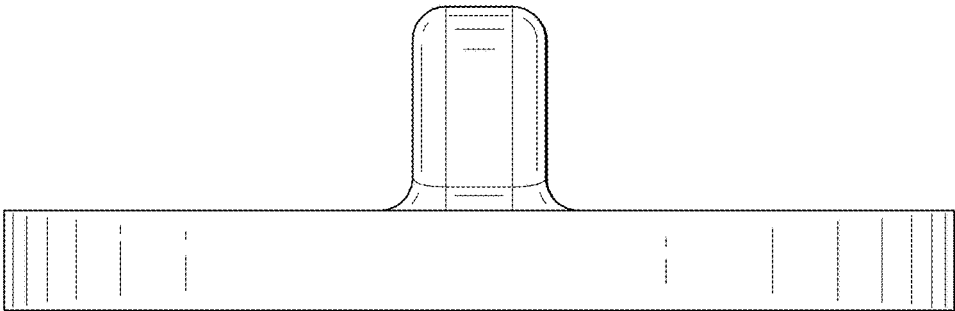


FIG. 3

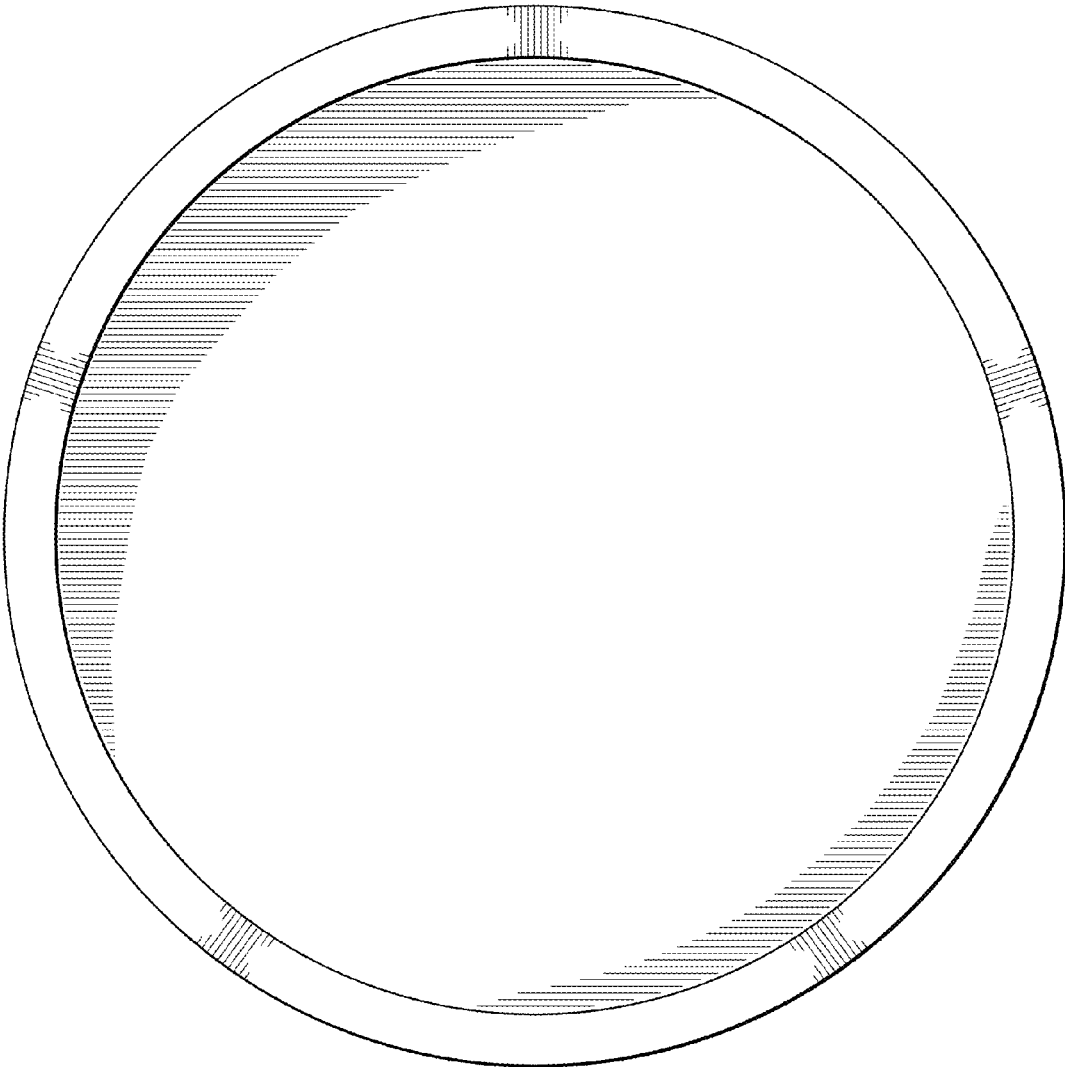


FIG. 4

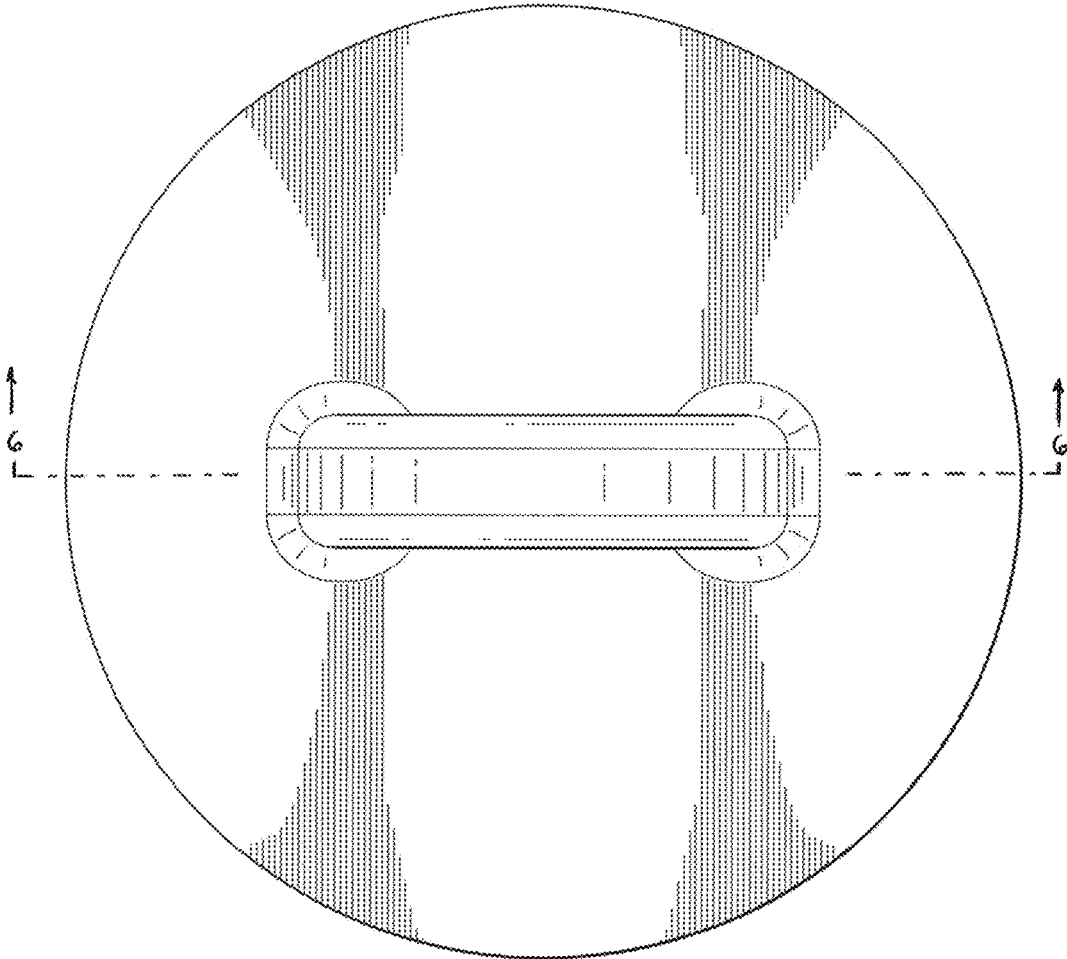


FIG. 5

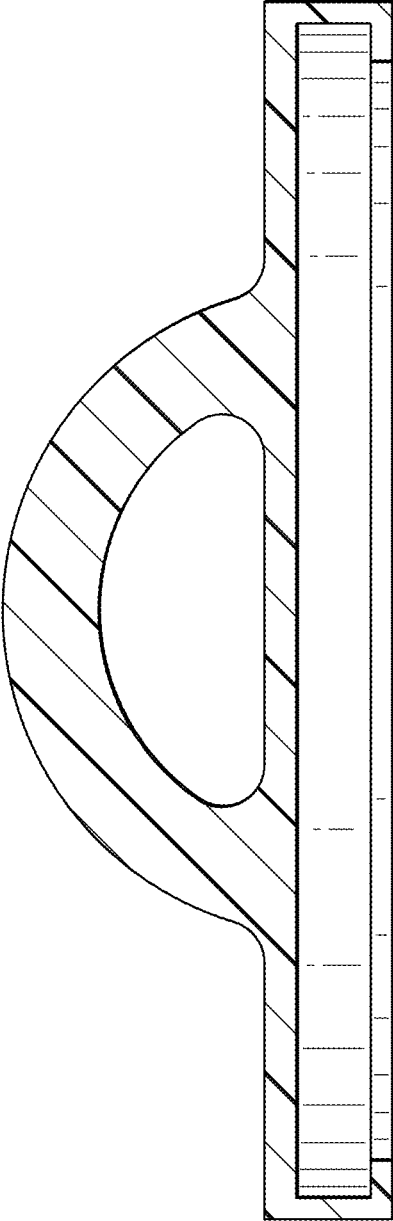


FIG. 6

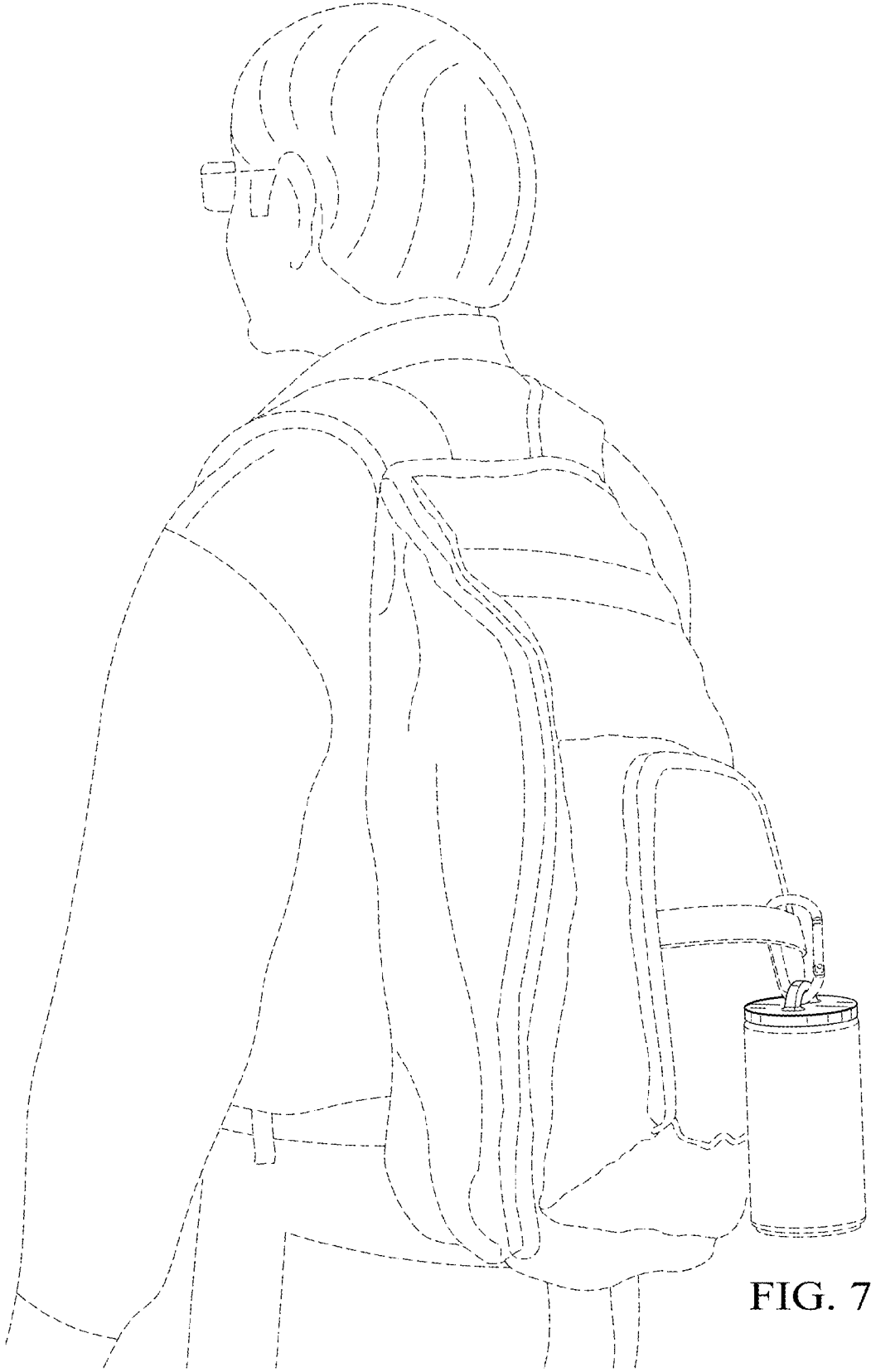


FIG. 7