

(12) UK Patent Application (19) GB (11) 2 375 690 (13) A

(43) Date of A Publication 20.11.2002

(21) Application No 0111842.1

(22) Date of Filing 15.05.2001

(71) Applicant(s)
Motorola Inc
(Incorporated in USA - Delaware)
Corporate Offices,
1303 East Algonquin Road, Schaumburg,
Illinois 60196, United States of America

(72) Inventor(s)
Zoe Susan Cole

(74) Agent and/or Address for Service
Motorola Limited
Jays Close, Viabes Industrial Estate,
BASINGSTOKE, Hampshire, RG22 4PD,
United Kingdom

(51) INT CL⁷
H04Q 7/38

(52) UK CL (Edition T)
H4L LDPD

(56) Documents Cited
GB 2297884 A **WO 2001/045280 A1**
WO 1999/033305 A2 **FR 002760312 A**
JP 080149560 A **US 5862470 A**
US 5509015 A

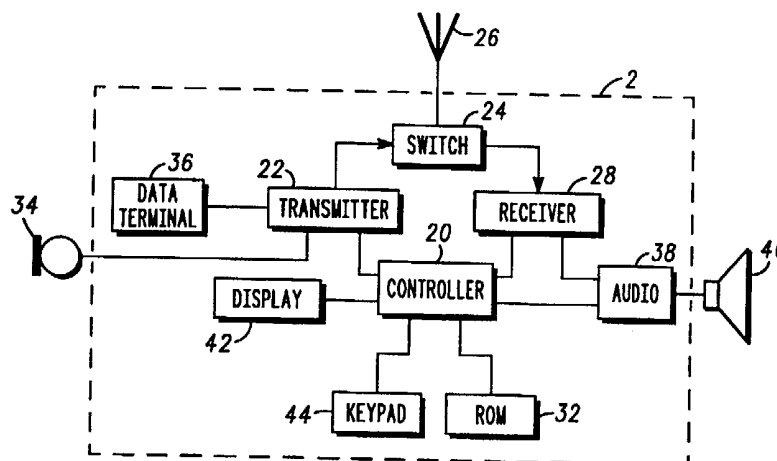
(58) Field of Search
UK CL (Edition T) **H4K KF54, H4L LDDDM LDPD LECTC**
LECTP
INT CL⁷ **H04B 1/16, H04M 3/54, H04Q 7/32 7/38**
Online: WPI EPODOC JAPIO

(54) Abstract Title

Radio communication device and the scheduling of its inactive mode

(57) There is provided a method for managing an activity schedule of a radio communication device 2 by scheduling, in advance, switching of the device into an inactive mode and switching back to an active mode. The method comprises the steps of introducing into memory 32 data defining the beginning and the end of the inactive mode period. During the inactive mode period all incoming calls will be stacked in a list or diverted to a voicemail.

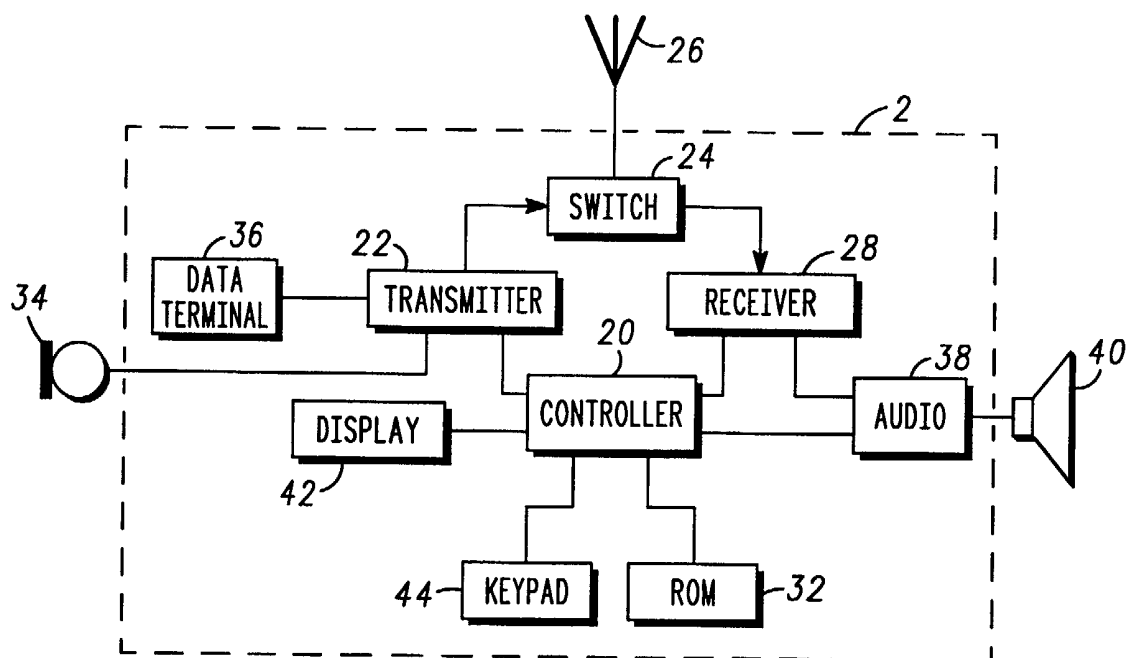
There is also provided a radio communication device 2 comprising a memory 32 for storing the data defining inactive mode period or periods, a controller 20, and a user interface. The user interface is typically a keypad 44 and a display screen 42 used for introducing the data and for modifying it. The controller 20, basing on the data stored in the memory 32, controls switching of the device 2 into each desired mode at the proper time.



At least one drawing originally filed was informal and the print reproduced here is taken from a later filed formal copy.

This print takes account of replacement documents submitted after the date of filing to enable the application to comply with the formal requirements of the Patents Rules 1995

GB 2 375 690 A



Radio Communication Device

Technical Field

5 The present invention relates to radio communication devices. In particular, it relates to a method of managing an activity schedule of a radio communication device.

Background

10 A large variety of radio communication devices, henceforth "communication devices", are known in the prior art. Examples of these are mobile phones, and portable- or mobile (PMR) radios. Some personal digital assistants (PDAs) and lap top computers also have radio links to connect them
15 to other devices and networks.

 In known radio communication devices of the prior art, the user of the device can switch the device to an inactive mode by pressing a key or special combination of keys. When the device stays in the inactive mode, incoming calls
20 do not activate the device. Instead the incoming calls are quietly stacked in a list, or diverted to a voicemail. The communication device is maintained silent until the button is pressed again.

 This prior art method of managing the divert function depends on the
25 user remembering to activate it. The inventor has found that this may lead to unwanted situations in an operational environment. The user can easily forget to press the button to inactivate the device before the meeting. In such a situation, incoming calls will cause disturbances. Furthermore, the user may forget to switch off the "divert" mode after the meeting. If this were to happen, then the
30 calls will not be listened to at the earliest opportunity. When the device stays too long in the inactive mode, the list of stored calls becomes unnecessarily longer and finally can fill up the memory.

Summary of the Invention

35 It is an object of the present invention to provide a novel method and device for managing an activity schedule of a radio communication device which overcomes the disadvantages of the prior art.

In accordance with the present invention, there is thus provided a method for managing an activity schedule of a radio communication device. The management is done by scheduling in advance the switching of the device into an inactive mode and back to an active mode.

5

The method comprises the steps of introducing data defining the beginning and the end of the inactive mode period into the device's memory. During the inactive mode period, all incoming calls are stacked in a list or diverted to a voicemail.

10

In accordance with another aspect of the present invention, there is provided a radio communication device comprising a memory for storing data defining an inactive mode period or periods, a controller and a user interface. The user interface is typically a display screen and a keypad used for introducing and modifying the data. The controller controls switching the device into desired mode at the proper time, based on the data stored in the memory.

The advantage of the present invention is that it helps to adapt the activity schedule of the device to the time schedule of its user. Automatic switching into each desired mode avoids calls that would disturb the user, and avoids filling up the memory.

Brief description of the drawings

The present invention will be understood and appreciated more fully from the following detailed description taken in conjunction with the drawing, in which: Fig. 1 is a schematic illustration of a communication device operative in accordance with the present invention.

Detailed description of the preferred embodiment

A method of managing activity schedule of a radio communication device is provided. The method is based on scheduling in advance the switching of the communication device into an inactive mode at a beginning of defined period. At the end of this defined period, the device is switched back into an active mode. The method comprises the steps of introducing, to a memory of the device, data on the beginning and the end of the inactive mode period. By

35

scheduling the changes of activity of the device, the user can adapt the activity schedule of the device to his own time schedule.

5 During the inactive mode period, all incoming calls are either stacked in a list, or are diverted to a voicemail.

10 The data defining the beginning of the inactive mode period can be a date, an hour and a minute. The data defining the end of the inactive mode period can be either a duration of the period or a date and time, defined in the same way as for the beginning of the period.

15 In the memory of the device, the data defining more than one inactive mode period can be stored. The data can be dynamically changed, or can be deleted by the device's user.

20 The data defining the inactive mode period can be loaded from an internal organiser. This can be done by assigning an inactive mode period to some previously defined events. The data may also be loaded from an external organiser, such as a personal digital assistant (PDA) or a computer. The data can also be introduced manually, using the keypad and the display screen.

25 It is possible to manually switch the device between modes at any moment. This manual 'override' allows a user to retain control over the operating mode. If, for example, a meeting finishes early, the user can switch the device to an active mode, before the scheduled end of the meeting.

30 Figure 1 shows an embodiment of a communication device 2 in accordance with the present invention. The communication device 2 of figure 1 can transmit speech from a user of the device. The communication device 2 comprises a microphone 34, which provides a signal for transmission. Transmission circuit 22 transmits the signal from the microphone. Transmission circuit 22 transmits via switch 24 and antenna 26.

35 The communication device 2 also has a controller 20 and a memory 32. Controller 20 may be a microprocessor.

The communication device 2 of figure 1 also comprises a display screen 42 and keypad 44, which serve as part of the user interface circuitry of the communication device. At least the keypad 44 portion of the user interface circuitry is activatable by the user. Voice activation of the communication device, or other means of interaction with a user, may also be employed.

Signals received by the communication device are routed by the switch 24 to receiving circuitry 28. From there, the received signals are routed to controller 20 and audio processing circuitry 38. A loudspeaker 40 is connected to audio circuit 38. Loudspeaker 40 forms a further part of the user interface.

A data terminal 36 may be provided. Terminal 36 provides a signal comprising data for transmission by transmitter circuit 22, switch 24 and antenna 26.

In operation, the communication device 2 is capable of storing in the memory 32 the data defining the beginning and the end of the inactive mode period. On the basis of the data stored in the memory 32, the controller 20 switches the device 2 into the inactive mode at the beginning of the inactive mode period and back into the active mode at its end.

During the inactive mode period, all incoming calls are stacked in a list or diverted to a voicemail.

The display screen 42 and the keypad 44 of the communication device 2 can be used for manually introducing the data, and for dynamically changing or deleting the data.

The present invention has provided a radio communication device and a method of managing its activity that substantially alleviates the aforementioned problems.

Claims

1. A method of managing an activity schedule of a radio communication device,
5 by scheduling in advance a switching of said device into an inactive mode and a switching back to an active mode, according to a time schedule of a user, the method comprising the steps of:
 - introducing data on a beginning of an inactive mode period to a memory; and
 - 10 - introducing to said memory data on an end of said inactive mode period.
2. A method according to claim 1 wherein, during said inactive mode period, all incoming calls are stacked in a list.
- 15 3. A method according to claim 1 wherein, during said inactive mode period, all incoming calls are diverted to a voicemail.
4. A method according to claim 1 wherein said data on the beginning of said inactive mode period is a date, an hour and a minute.
20
5. A method according to claim 1 wherein said data on the end of said inactive mode period is a duration of said inactive mode period.
6. A method according to claim 1 wherein said data on the end of said inactive mode period is a date, an hour and a minute.
25
7. A method according to any of claims 4 – 6, wherein said memory is adapted to store data on more than one said inactive mode period.
- 30 8. A method according to any of claims 4 – 7, wherein said data on the beginning and/or the end of said inactive mode period can be dynamically changed by a user of said communication device.
- 35 9. A method according to any of claims 4 – 8, wherein said data on the beginning and/or the end of said inactive mode period can be loaded from an internal and/or an external organiser.

10. A method according to any of claims 4 – 9, wherein said data defining said inactive mode period can be deleted from a memory of said communication device.
- 5 11. A method according to claim 1, wherein the user can freely switch said device between modes.
12. A radio communication device comprising a keypad, a display screen and a memory operably coupled to a controller,
10 said memory storing a time schedule of a user of said communication device,
said keypad and said display screen being operable to assign an inactive mode period to an event of said time schedule,
said controller being adapted to switch said communication device to an
15 inactive mode at a beginning of, and to an active mode at an end of, said inactive mode period.
13. A radio communication device according to claim 12, wherein said data on the beginning and the end of said inactive mode period can be manually
20 introduced to said memory of said radio communication device using said keypad and said display screen.
14. A radio communication device according to claim 12 or 13, wherein said data on the beginning and/or the end of said inactive mode period can be
25 displayed on said display screen and dynamically changed by said user of said radio communication device.
15. A radio communication device according to claim 12, wherein said data on the beginning and the end of said inactive mode period can be loaded from
30 an external organiser.
16. A radio communication device according to any of claims 12 – 15, wherein said memory can store data on more than one said inactive mode period.



INVESTOR IN PEOPLE

Application No: GB 0111842.1
Claims searched: 1-16

Examiner: Monty Siddique
Date of search: 18 December 2001

Patents Act 1977
Search Report under Section 17

Databases searched:

UK Patent Office collections, including GB, EP, WO & US patent specifications, in:
UK Cl (Ed.S): H4K (KF54); H4L (LECTC, LECTP, LDPD)
Int Cl (Ed.7): H04B 1/16; H04M 3/54 1/73; H04Q 7/32 7/38
Other: Online: WPI EPODOC JAPIO

Documents considered to be relevant:

Category	Identity of document and relevant passage	Relevant to claims
X	GB 2297884 A / (NOKIA) calibrated number of clock cycles acting as memory data for reactivation	1 at least
A	WO 01/45280 A1 / (INFINEON)	
A	WO 99/33305 A2 / (TELIA)	
X	FR 002760312 A (MOTOROLA) (see abstract) (equivalent of GB 2324225 A) has active and inactive modes controlled by inputs to memory	1 at least
X	US 5509015 / (QUALCOMM) see US abstract	1 at least
X	JP 080149560 A / (CANON) see abstract	1 at least

X	Document indicating lack of novelty or inventive step	A	Document indicating technological background and/or state of the art.
Y	Document indicating lack of inventive step if combined with one or more other documents of same category.	P	Document published on or after the declared priority date but before the filing date of this invention.
&	Member of the same patent family	E	Patent document published on or after, but with priority date earlier than, the filing date of this application.