



US00D876856S

(12) **United States Design Patent**  
**Jiang**

(10) **Patent No.:** **US D876,856 S**

(45) **Date of Patent:** **\*\* Mar. 3, 2020**

- (54) **BABY BED**
- (71) Applicant: **Jiang CO., LTD.**, Hsinchu (TW)
- (72) Inventor: **Jeng-Jier Jiang**, Hsinchu (TW)
- (73) Assignee: **JIANG CO. LTD**, Hsinchu (TW)
- (\*\*) Term: **15 Years**
- (21) Appl. No.: **29/666,967**
- (22) Filed: **Oct. 17, 2018**
- (51) **LOC (12) Cl.** ..... **06-02**
- (52) **U.S. Cl.**  
USPC ..... **D6/390**; D30/118; D30/161; D6/383
- (58) **Field of Classification Search**  
USPC ..... D6/333, 390, 391, 718.26, 383;  
D23/278, 280.1, 280.2; D30/118, 161;  
D3/298, 304  
CPC ... A47D 7/00; A47D 7/02; A47D 9/00; A47D  
5/00; A47D 13/08; A47D 15/008; A47K  
3/127  
See application file for complete search history.

D382,725 S *	8/1997	Hahn	.....	D23/278
5,813,558 A *	9/1998	Burke	.....	A45C 9/00
				150/112
5,832,874 A *	11/1998	Ravin	.....	A01K 1/0245
				119/496
D482,763 S *	11/2003	Thomas	.....	D23/280.1
6,964,071 B1 *	11/2005	Lahmann	.....	A47D 9/00
				5/2.1
D527,081 S *	8/2006	Hatrick-Smith	.....	D23/280.1
RE40,754 E *	6/2009	Morton	.....	A47D 7/002
				5/655
D635,726 S *	4/2011	Lawson	.....	D30/161
D638,590 S *	5/2011	Lipscomb	.....	D23/278
D646,444 S *	10/2011	Lawson	.....	D30/161
D751,678 S *	3/2016	Davis	.....	D23/278
2012/0180217 A1 *	7/2012	Obriot	.....	A47C 21/046
				5/604

\* cited by examiner

*Primary Examiner* — Cathron C Brooks  
(74) *Attorney, Agent, or Firm* — Heslin Rothenberg  
Farley & Mesiti P.C.; George Blasiak

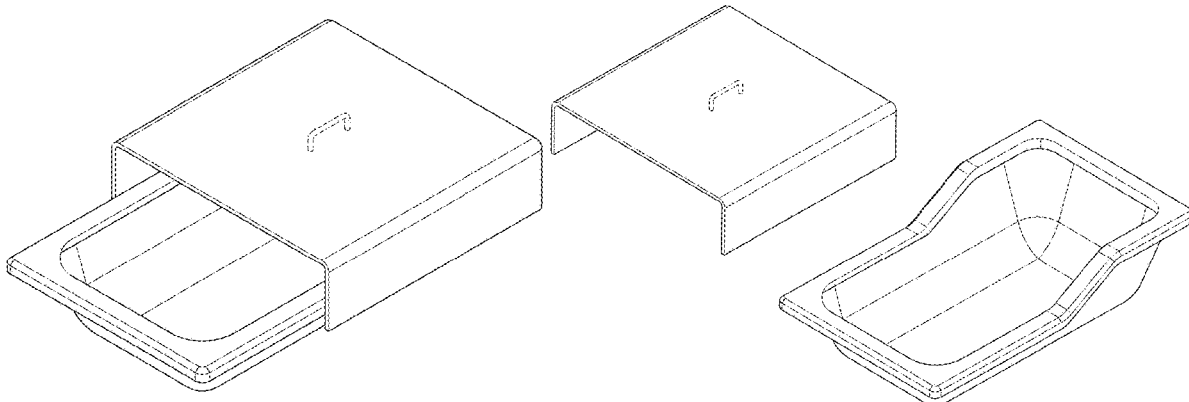
(57) **CLAIM**

The ornamental design for a baby bed, as shown and described.

**DESCRIPTION**

FIG. 1 is a perspective view of the baby bed showing my new design;  
FIG. 2 is a front side view thereof;  
FIG. 3 is a rear side view thereof;  
FIG. 4 is a left side view thereof;  
FIG. 5 is a right side view thereof;  
FIG. 6 is a top view thereof; and,  
FIG. 7 is an exploded perspective view thereof.  
The dashed lines illustrate portions of the baby bed that form no part of the claimed design.

**1 Claim, 6 Drawing Sheets**



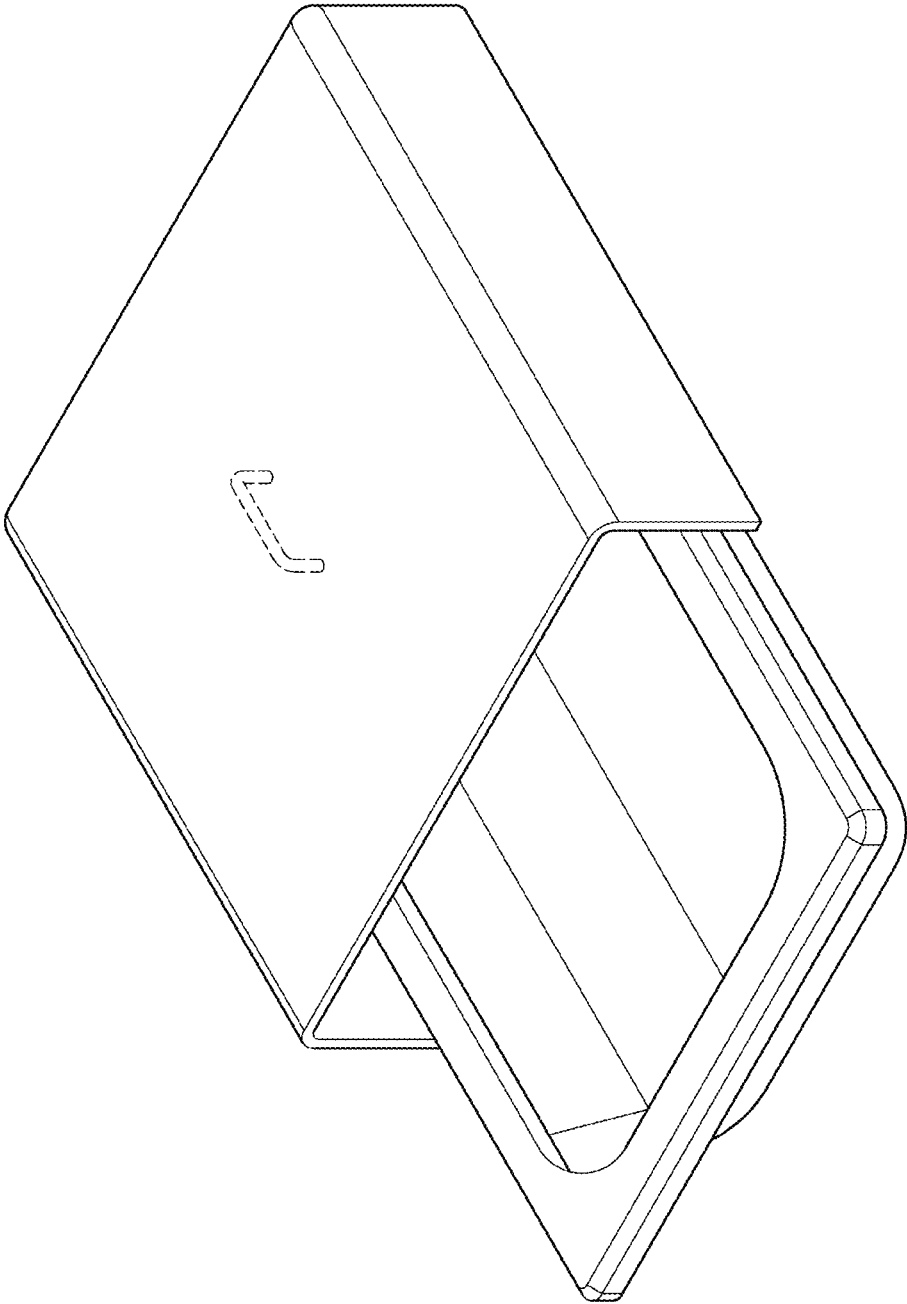


FIG.1

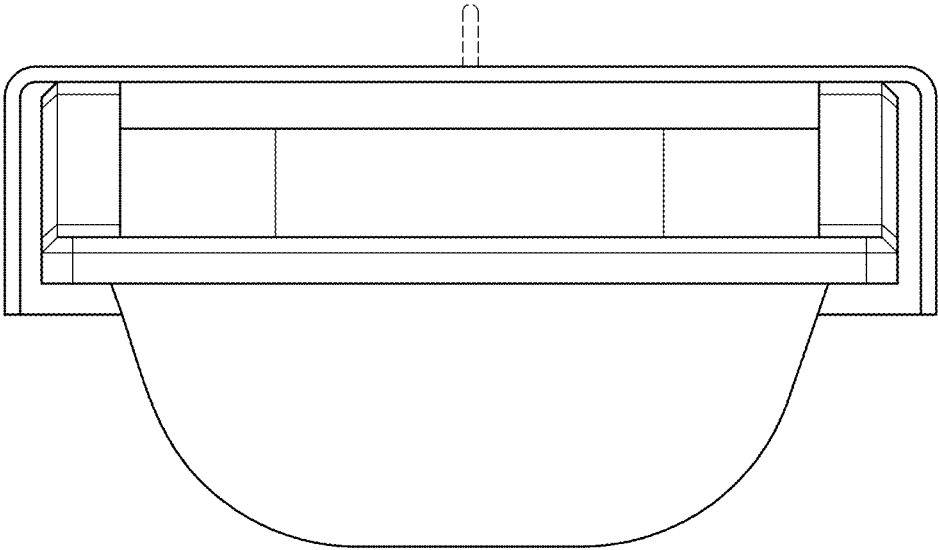


FIG. 2

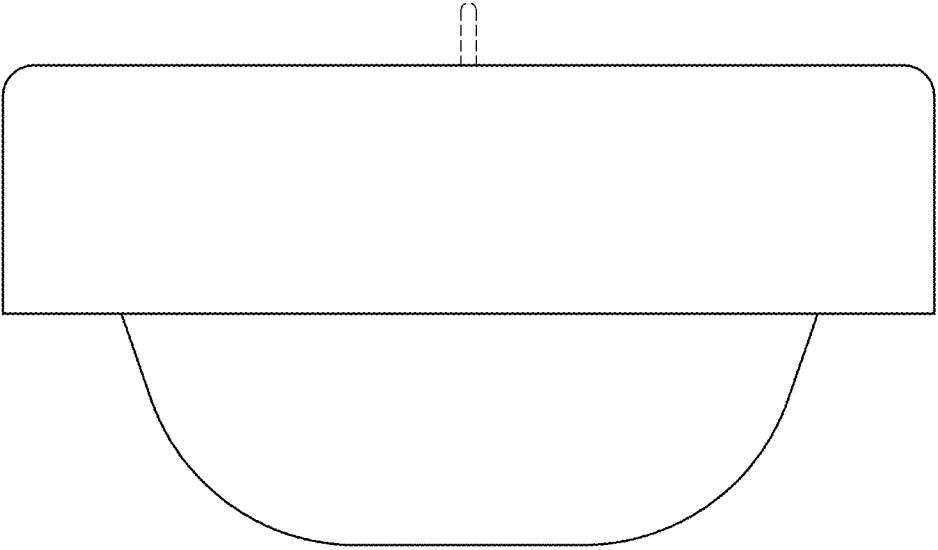


FIG. 3

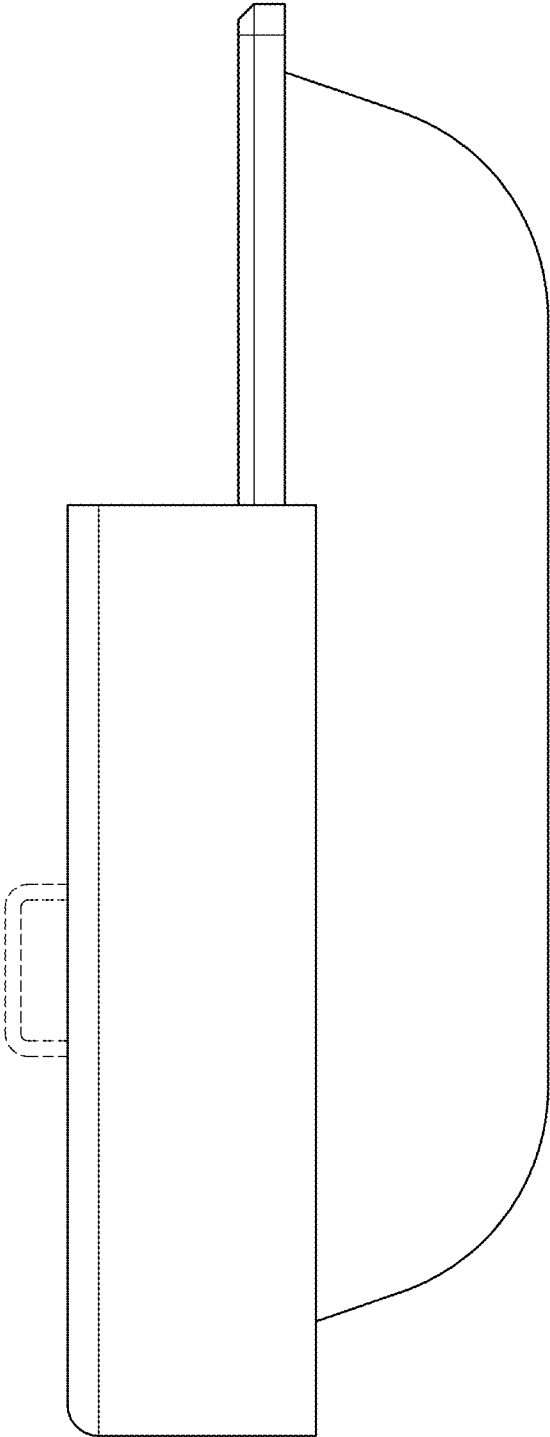


FIG.4

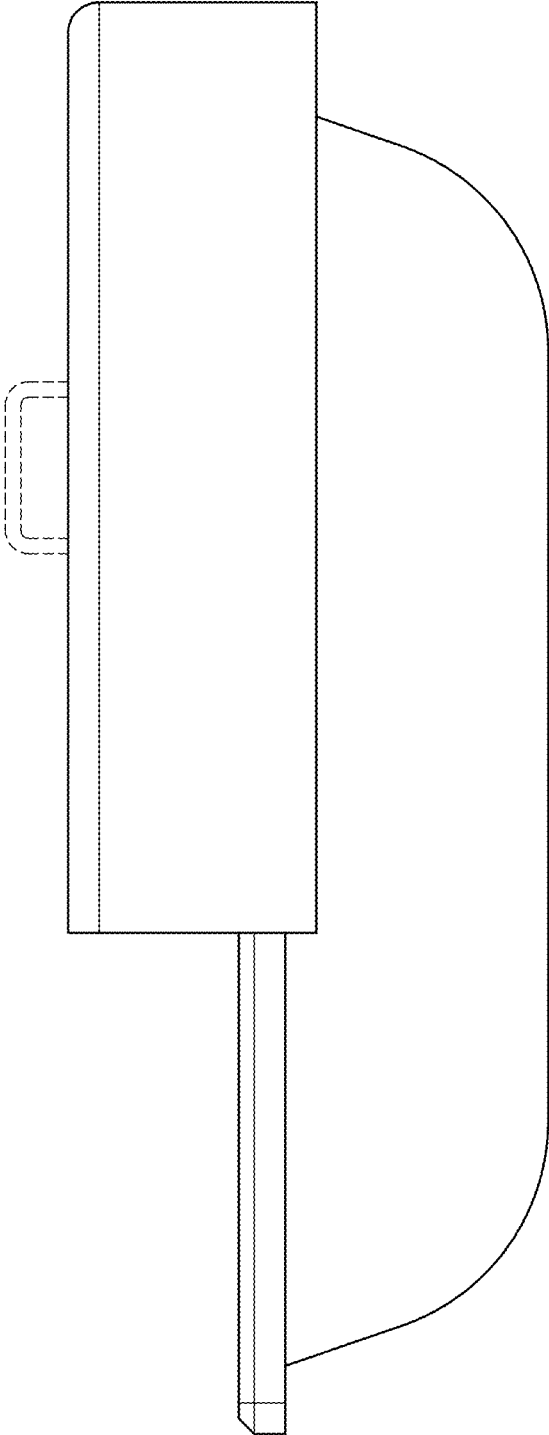


FIG.5

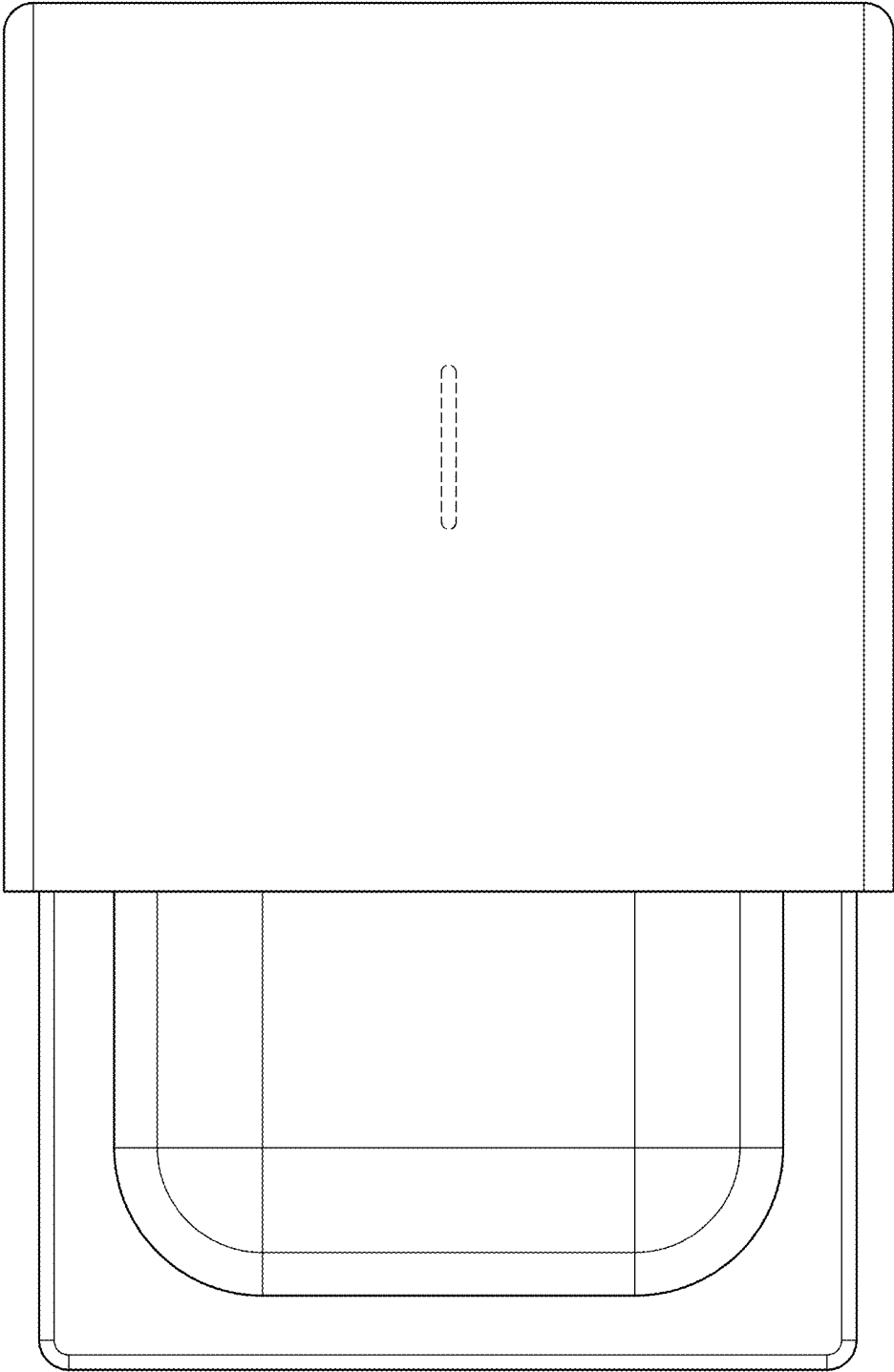


FIG.6

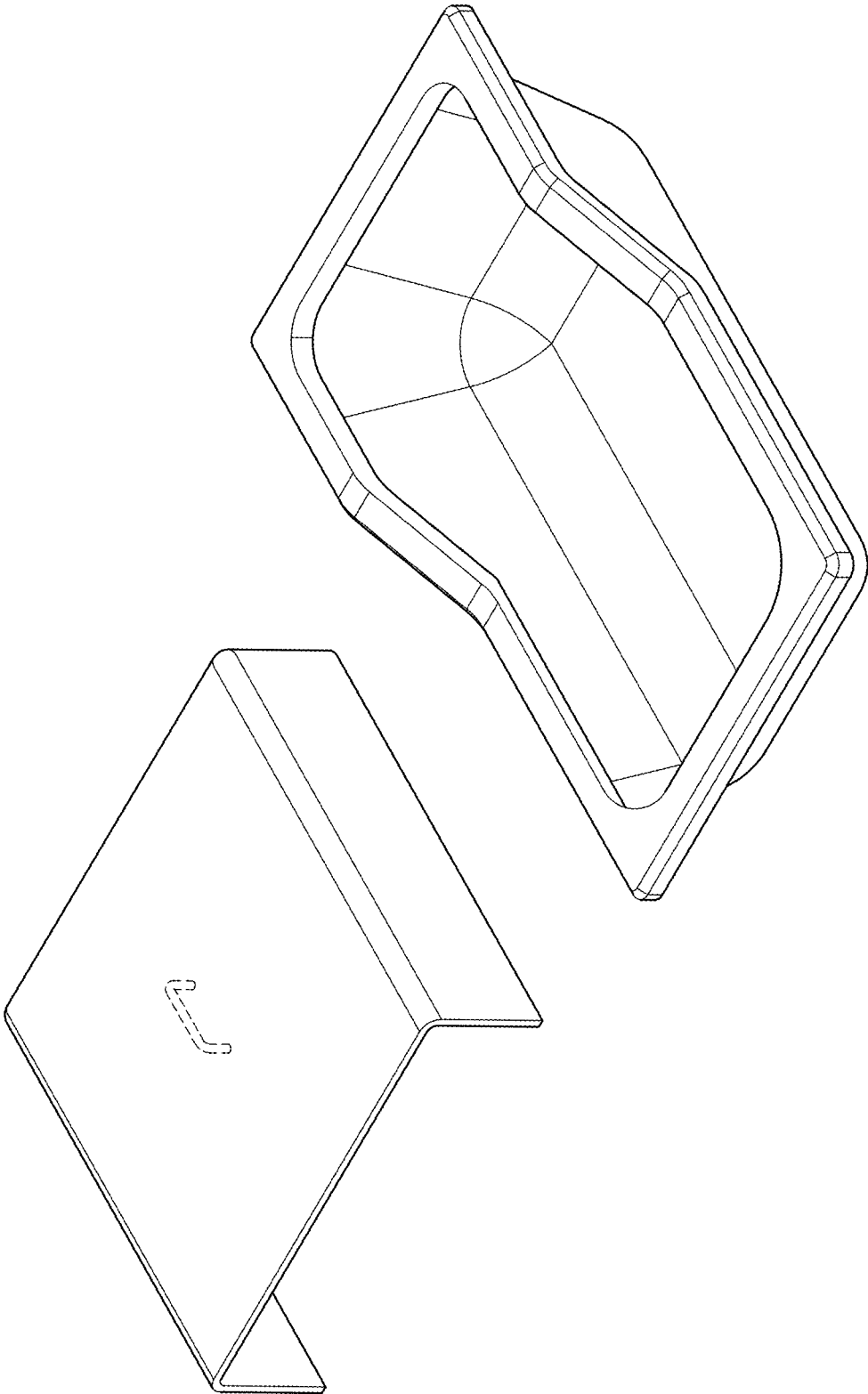


FIG.7