



US00D713485S

(12) **United States Design Patent**  
**Firpo, I et al.**

(10) **Patent No.:** **US D713,485 S**

(45) **Date of Patent:** **\*\* Sep. 16, 2014**

(54) **FIREARM LOWER RECEIVER**

*Primary Examiner* — Michael A Pratt

(74) *Attorney, Agent, or Firm* — Mark Young, P.A.

(71) Applicant: **GPI Custom Gunworks, LLC,**  
Jacksonville, FL (US)

(72) Inventors: **Lee Firpo, I,** Jacksonville, FL (US);  
**Darin Phipps,** Jacksonville, FL (US);  
**Michael Phipps,** Reseda, CA (US)

(57) **CLAIM**

The ornamental design for a firearm lower receiver, as shown and described.

(\*\*) Term: **14 Years**

**DESCRIPTION**

(21) Appl. No.: **29/452,408**

FIG. 1 is a plan view of a firearm lower receiver.

FIG. 2 is a first side view of the firearm lower receiver shown in FIG. 1.

(22) Filed: **Apr. 16, 2013**

FIG. 3 is a front view of the firearm lower receiver shown in FIG. 1.

(51) **LOC (10) Cl.** ..... **22-01**

FIG. 4 is a bottom view of the firearm lower receiver shown in FIG. 1.

(52) **U.S. Cl.**

USPC ..... **D22/108**

FIG. 5 is a back view of the firearm lower receiver shown in FIG. 1.

(58) **Field of Classification Search**

USPC ..... D22/103, 108; 42/71.01; 89/40.06,  
89/41.19, 37.04, 33.04, 191.01, 200–204;  
D21/572–575; 124/67, 66, 72, 74

FIG. 6 is a second side view of the firearm lower receiver shown in FIG. 1.

See application file for complete search history.

FIG. 7 is a first top perspective view of the firearm lower receiver shown in FIG. 1.

(56) **References Cited**

**U.S. PATENT DOCUMENTS**

8,615,917	B2 *	12/2013	Higgins	.....	42/96
8,640,373	B2 *	2/2014	Burt	.....	42/85
8,646,201	B2 *	2/2014	Hughes et al.	.....	42/114
8,707,850	B1 *	4/2014	Davies	.....	89/191.01
8,713,832	B2 *	5/2014	Troy et al.	.....	42/6
2013/0055610	A1 *	3/2013	Watkins	.....	42/16
2013/0227869	A1 *	9/2013	Thordsen	.....	42/6
2013/0340312	A1 *	12/2013	Fulton et al.	.....	42/73
2014/0033589	A1 *	2/2014	King, Jr.	.....	42/75.01
2014/0047754	A1 *	2/2014	Compton et al.	.....	42/84
2014/0075802	A1 *	3/2014	Dubois et al.	.....	42/16
2014/0075814	A1 *	3/2014	Larson et al.	.....	42/72
2014/0075816	A1 *	3/2014	Larson et al.	.....	42/73

FIG. 8 is second top perspective of the firearm lower receiver shown in FIG. 1.

FIG. 9 is a third top perspective view of the firearm lower receiver shown in FIG. 1.

FIG. 10 is a fourth top perspective view of the firearm lower receiver shown in FIG. 1.

FIG. 11 is a first bottom perspective view of the firearm lower receiver shown in FIG. 1.

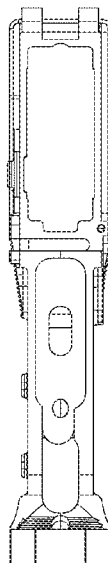
FIG. 12 is second bottom perspective of the firearm lower receiver shown in FIG. 1.

FIG. 13 is a third bottom perspective view of the firearm lower receiver shown in FIG. 1; and,

FIG. 14 is a fourth bottom perspective view of the firearm lower receiver shown in FIG. 1.

\* cited by examiner

**1 Claim, 14 Drawing Sheets**



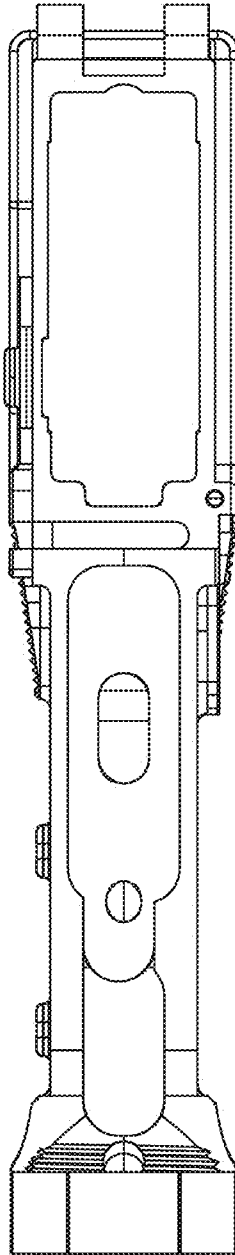


FIG. 1

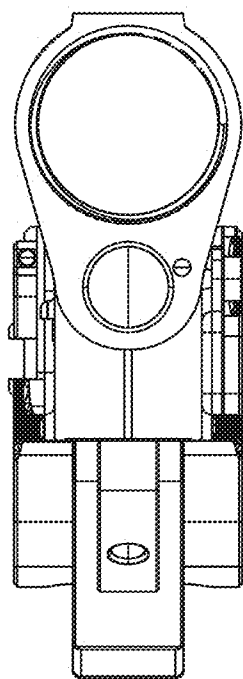


FIG. 2

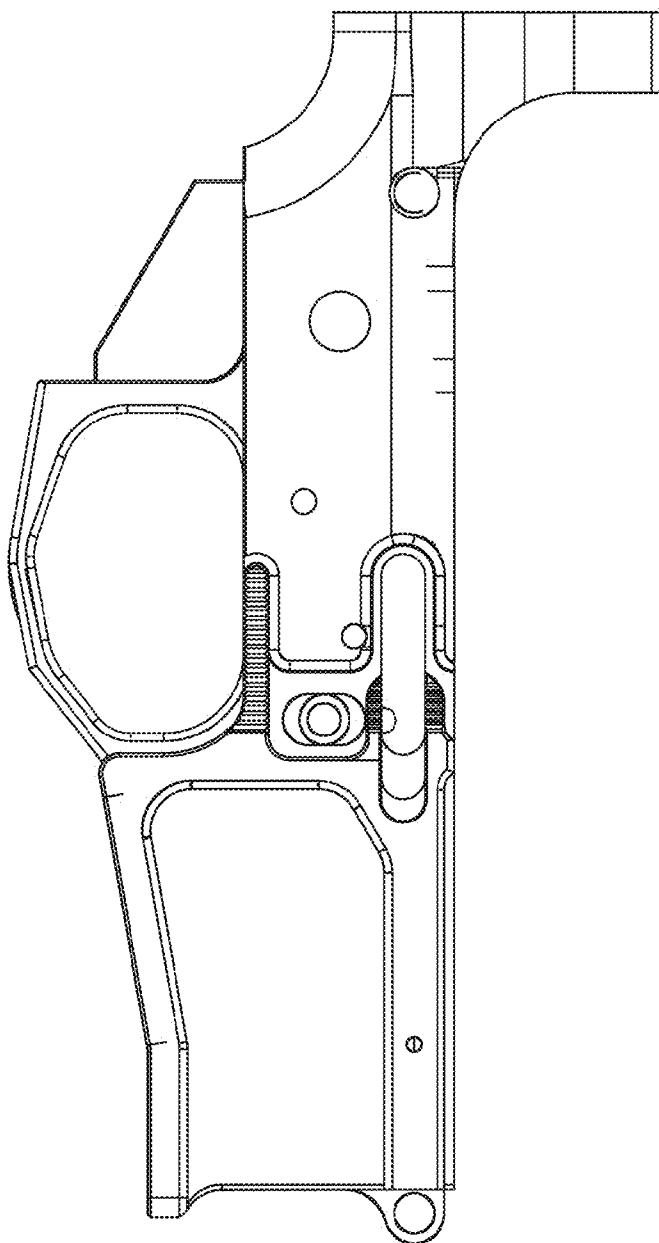


FIG. 3

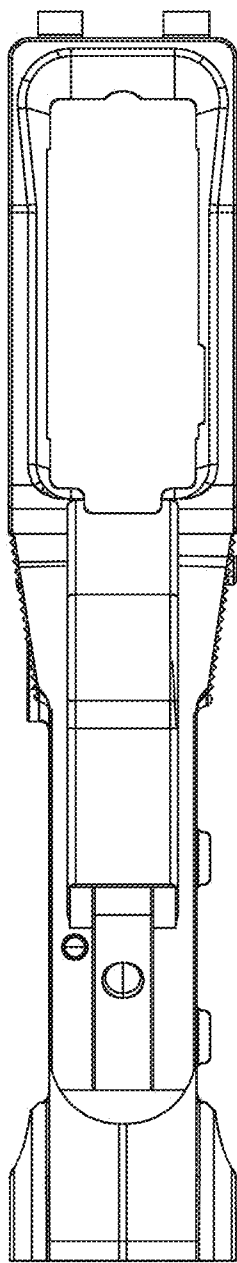


FIG. 4

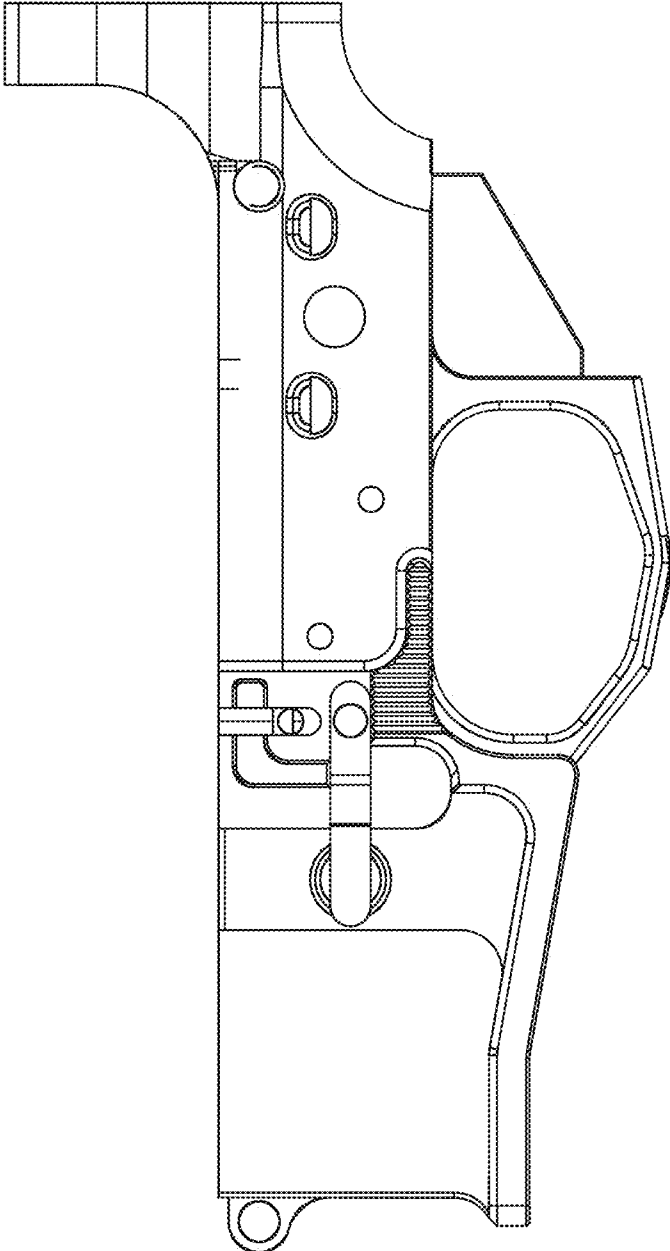


FIG. 5

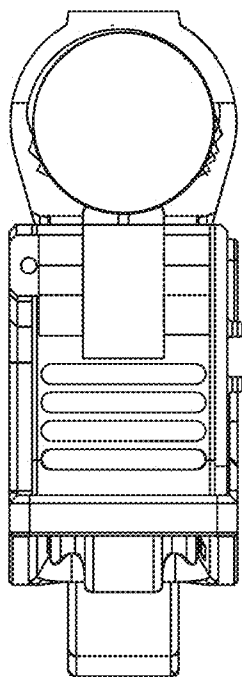


FIG. 6

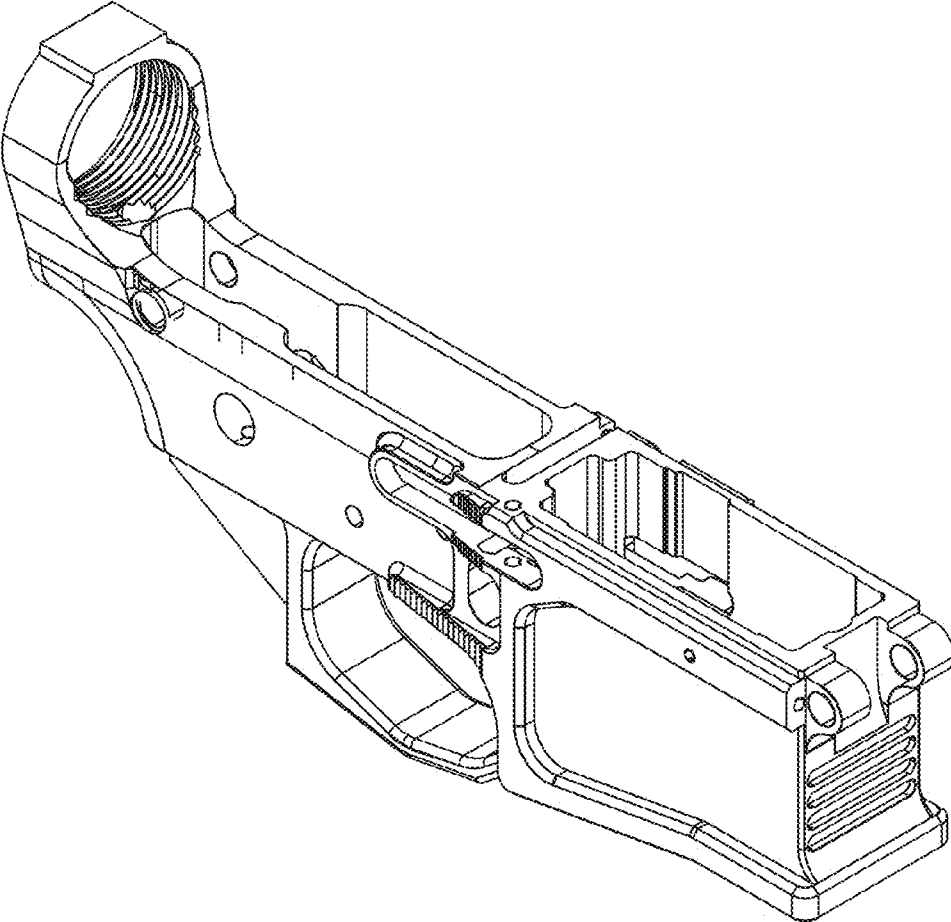


FIG. 7



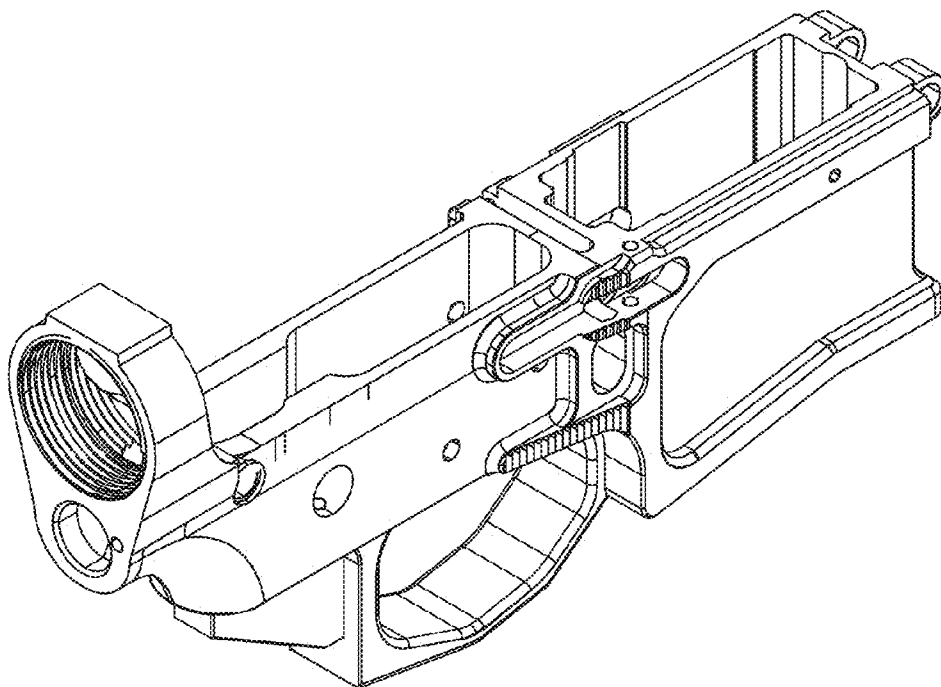


FIG. 8

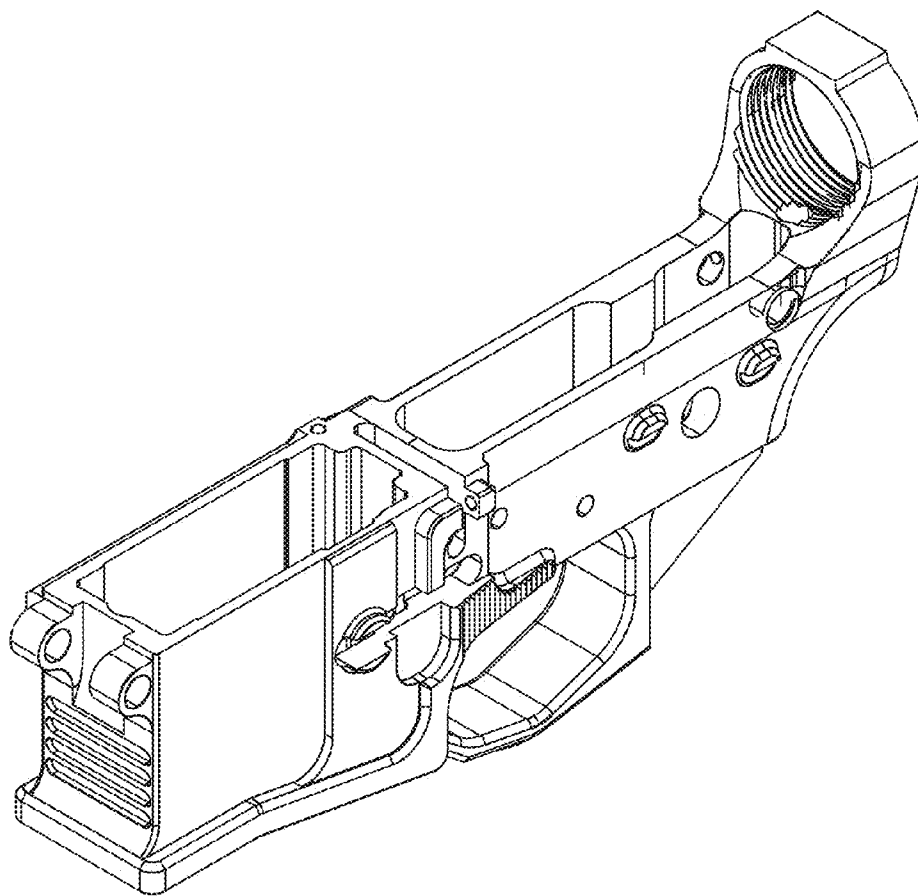


FIG. 9

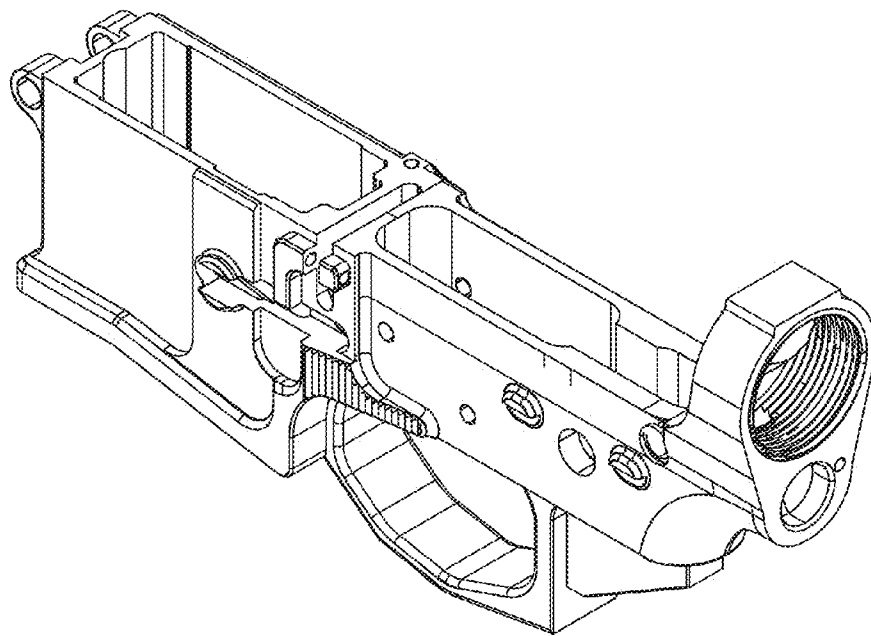


FIG. 10

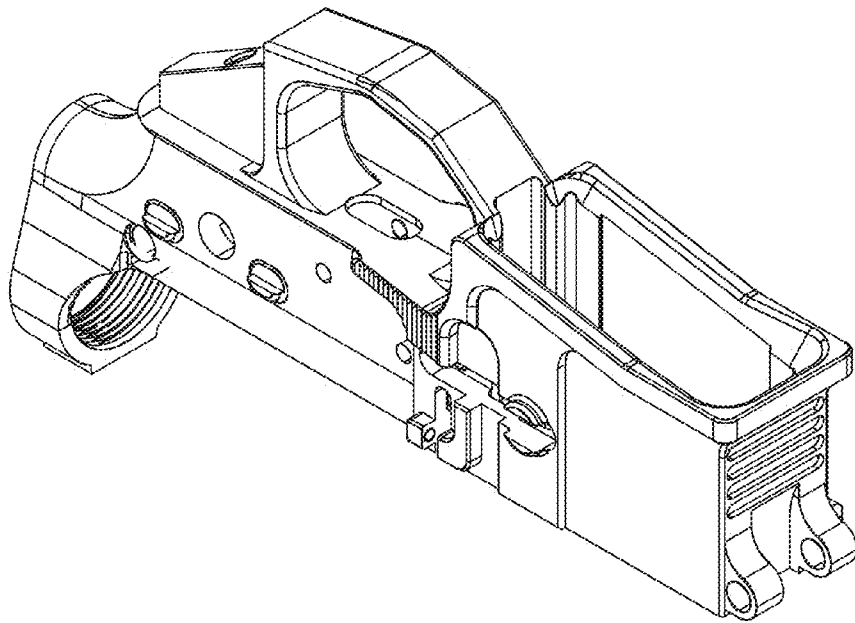


FIG. 11

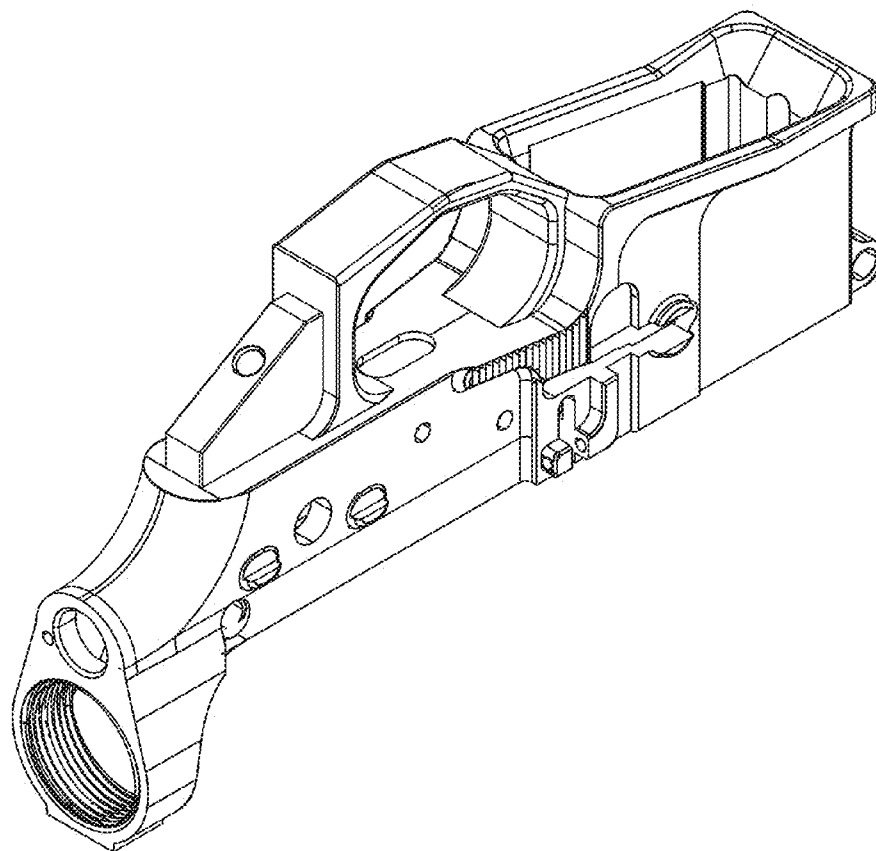


FIG. 12

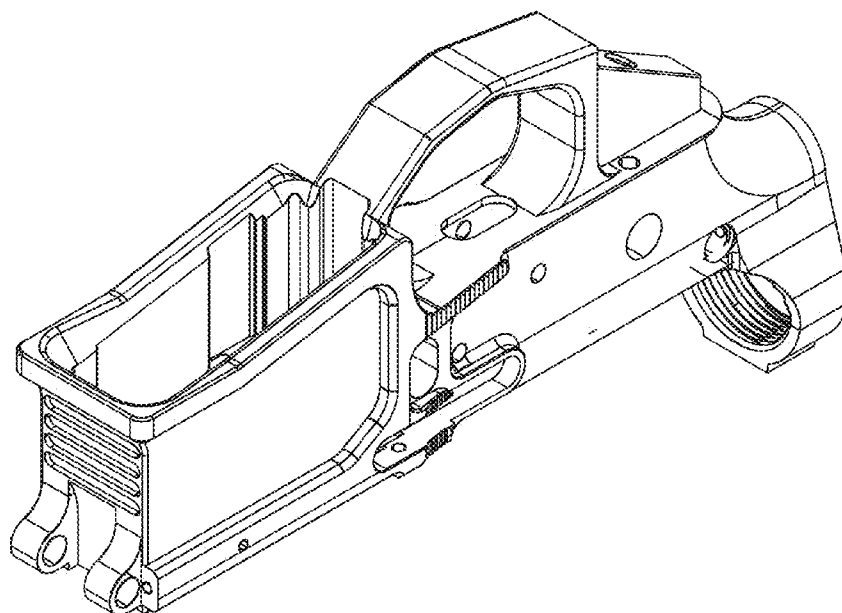


FIG. 13

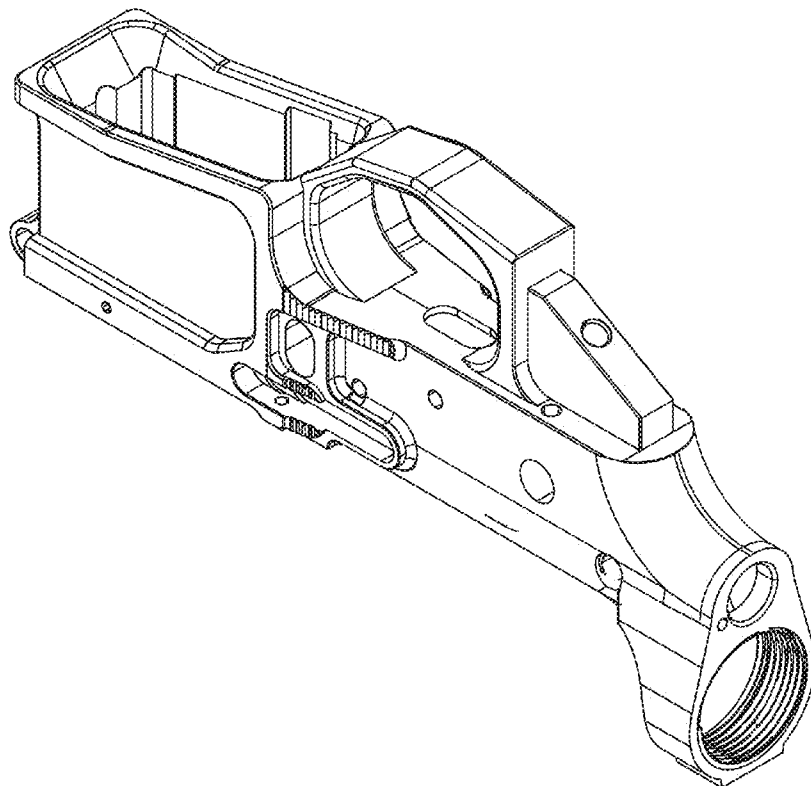


FIG. 14