



HU000028054T2

(19) **HU**(11) Lajstromszám: **E 028 054**(13) **T2****MAGYARORSZÁG**  
Szellemi Tulajdon Nemzeti Hivatala**EURÓPAI SZABADALOM**  
**SZÖVEGÉNEK FORDÍTÁSA**(21) Magyar ügyszám: **E 13 186308**  
(22) A bejelentés napja: **2013. 09. 27.**(51) Int. Cl.: **A61F 13/20** (2006.01)(96) Az európai bejelentés bejelentési száma:  
**EP 20130186308**(97) Az európai bejelentés közzétételi adatai:  
**EP 2712594 A1** **2014. 04. 02.**(97) Az európai szabadalom megadásának meghirdetési adatai:  
**EP 2712594 B1** **2015. 09. 23.**

(30) Elsőbbségi adatok: <b>201261706351 P</b> <b>2012. 09. 27.</b> <b>US</b> <b>201213717943</b> <b>2012. 12. 18.</b> <b>US</b>	(73) Jogosult(ak): <b>Johnson and Johnson GmbH, 41470 Neuss</b> <b>(DE)</b>
(72) Feltaláló(k): <b>Kimball, David L., Flemington, NJ New Jersey 08822</b> <b>(US)</b> <b>Ng, Tony C., East Brunswick, NJ New Jersey 08816 (US)</b>  <b>Zedayko, Tara, Hillsborough, NJ New Jersey 08844 (US)</b>	(74) Képviselő: <b>Szabó Zsolt, DANUBIA Szabadalmi és Védjegy</b> <b>Iroda Kft., Budapest</b>

(54) **Tampon kiterjesztett barázdákkal**

Az európai szabadalom ellen, megadásának az Európai Szabadalmi Közlönyben való meghirdetésétől számított kilenc hónapon belül, felszólalást lehet benyújtani az Európai Szabadalmi Hivatalnál. (Európai Szabadalmi Egyezmény 99. cikk(1))

A fordítást a szabadalmas az 1995. évi XXXIII. törvény 84/H. §-a szerint nyújtotta be. A fordítás tartalmi helyességét a Szellemi Tulajdon Nemzeti Hivatala nem vizsgálta.



(11) **EP 2 712 594 B1**

(12) **EUROPEAN PATENT SPECIFICATION**

(45) Date of publication and mention  
of the grant of the patent:  
**23.09.2015 Bulletin 2015/39**

(51) Int Cl.:  
**A61F 13/20 (2006.01)**

(21) Application number: **13186308.6**

(22) Date of filing: **27.09.2013**

---

(54) **TAMPON WITH EXTENDED GROOVE FORMS**

STOPFEN MIT ERWEITERTEN RILLENFORMEN

TAMPON POURVU DE FORMES DE RAINURE ALLONGÉES

---

(84) Designated Contracting States:  
**AL AT BE BG CH CY CZ DE DK EE ES FI FR GB  
GR HR HU IE IS IT LI LT LU LV MC MK MT NL NO  
PL PT RO RS SE SI SK SM TR**

(30) Priority: **27.09.2012 US 201261706351 P**  
**18.12.2012 US 201213717943**

(43) Date of publication of application:  
**02.04.2014 Bulletin 2014/14**

(73) Proprietor: **Johnson and Johnson GmbH**  
**41470 Neuss (DE)**

(72) Inventors:  
• **Kimball, David L.**  
**Flemington, NJ New Jersey 08822 (US)**

• **Ng, Tony C.**  
**East Brunswick, NJ New Jersey 08816 (US)**  
• **Zedayko, Tara**  
**Hillsborough, NJ New Jersey 08844 (US)**

(74) Representative: **Kirsch, Susan Edith**  
**Carpmaels & Ransford LLP**  
**One Southampton Row**  
**London WC1B 5HA (GB)**

(56) References cited:  
**EP-B1- 1 459 720 WO-A1-2009/129910**  
**WO-A1-2010/069908 WO-A1-2011/002357**  
**WO-A1-2012/004315 WO-A2-2008/095937**  
**US-A1- 2011 092 940**

**EP 2 712 594 B1**

---

Note: Within nine months of the publication of the mention of the grant of the European patent in the European Patent Bulletin, any person may give notice to the European Patent Office of opposition to that patent, in accordance with the Implementing Regulations. Notice of opposition shall not be deemed to have been filed until the opposition fee has been paid. (Art. 99(1) European Patent Convention).

## Description

### Field of the Invention

[0001] The present invention relates to an intravaginal tampon for feminine hygiene. In particular, it relates to a tampon having discrete groove forms with visually distinct zones providing different bodily fluid handling characteristics.

### Background of the Invention

[0002] Devices for intravaginally capturing and storing bodily fluid are commercially available and known in the literature. Intravaginal tampons for feminine hygiene are the most common example of such devices. Commercially available tampons are generally compressed cylindrical masses of absorbent fibers that may be contained by an absorbent or nonabsorbent cover layer.

[0003] The tampon is inserted into the human vagina and retained there for a time for the purpose of capturing and storing intravaginal bodily fluids, most commonly menstrual fluid. As intravaginal bodily fluid contacts the tampon, it should be absorbed and retained by the absorbent material of the tampon. After a time, the tampon and its retained fluid is removed and disposed, and if necessary, another tampon is inserted.

[0004] A drawback often encountered with commercially available tampons is the tendency toward premature failure, which may be defined as bodily fluid leakage from the vagina while the tampon is in place and before the tampon is completely saturated with the bodily fluid. The patent art typically describes a problem believed to occur that an unexpanded, compressed tampon is unable to immediately absorb fluid. Therefore, it presumes that premature leakage may occur when bodily fluid contacts a portion of the compressed tampon, and the fluid is not readily absorbed.

[0005] One way to prevent premature leakage from occurring is to provide designed pathways for fluid moving along the outer tampon surface. While this increase to the pathways may improve the fluid absorption, adding grooves during the manufacturing process can raise process issues. The prior art is replete with examples of attempts to incorporate grooves into tampons. Often new steps are added to an already complicated manufacturing process or the process is not fully described.

[0006] Friese et al., EP 0422660 B2, discloses an apparatus for producing a tampon with longitudinal grooves. The apparatus for making the tampon includes two groups of dies arranged in a plane perpendicular to the press axis. The first group of dies form press segments and the second group of dies form sliding plates. Each of the dies has press cutters projecting from the faces. The blank is pressed into a preform having a core with high compression and longitudinal ribs separated by grooves. The dies do not include a surface for forming shoulders.

[0007] Schoelling, US 2002-0151859 A1, discloses an apparatus for producing tampons having spirally shaped, pressed longitudinal grooves. The apparatus has press jaws of substantially equal dimensions which are arranged in a star formation with respect to the press axis. The jaws can be moved synchronously between open and closed positions. Each press jaw has a stepped pressing surface including a pressing blade and a pressing shoulder. The area of the pressing shoulder is great than the area of the pressing blade. The pressing blade and pressing shoulder can extend over a circumferential angle  $\alpha$  of between 80 to 150° in the closed or pressing position. The press jaws are slightly retracted to give clearance when the preform is ejected from the press.

[0008] Van Ingelgem et al., EP 1547555 B1 purports to disclose an apparatus for manufacturing tampons with at least three press jaws, each press jaw having a penetrating segment for penetrating the absorbent material and pressing shoulder. The median of the penetrating segment diverges from the radius of that penetrating segment when in the press. The median of the penetrating segment is the straight line drawn in a cross section of the penetrating segment, through its tip and the midpoint of its base. One press jaw may comprise either a penetrating segment or a pressing shoulder, or a combination of one penetrating segment and pressing shoulders arranged at either or both sides of the penetrating segment. If the penetrating segment and pressing shoulders are fixed to separate press jaws, it is preferably that they press simultaneously. The press jaws, in particular, the penetrating segments can have a straight, sinusoidal, spiral or helical shape in the longitudinal direction to form essentially straight, sinusoidal, spiral, or helical grooves in the axial direction of the tampon. The resultant tampon has at least three ribs, in transverse cross-section, has a median at least partially diverging from the radius where the median of the rib is the line drawn through the midpoint of a series of arc lines, bound by the edges of the rib, wherein the arcs have a common center which is the midpoint of the X-X cross-section of the tampon.

[0009] Schmidt, EP 1459720 B1, purports to disclose increasing the surface area of a tampon by utilizing grooves that are formed in a wave shape. While multiple examples are shown, including wavy grooves with angled points, this publication does not disclose specifics on how to manufacture the tampons. In particular, the publication does not include specifics about compression, the press jaws or how the preform or tampon is ejected from the press.

[0010] Ruhlmann, WO 2009/129910 A1, purports to disclose a tampon having at least one first surface groove and at least one second surface groove that crosses the first surface groove along their path between a proximal end and a distal end of the tampon. However, the disclosure fails to teach how the crossing grooves are formed, especially in a commercially-feasible manufacturing process and/or with a cover.

[0011] Fung, US 2011-0092940 A1, discloses an in-

travaginal tampon formed of compressed material and has an outer surface with at least two segmented grooves are formed therein, and each segmented groove is separated from and spaced at a distance from an adjacent segmented groove. Each segmented groove has at least one substantially longitudinal segment and at least one accumulator segment. The arrangement of the segments provides a pooling region to impede bodily fluid flow along the outer surface of the tampon.

**[0012]** While the above examples describe tampons with grooves or the process for making such tampon, these tampons do not have visually distinct zones with different bodily fluid handling characteristics. In addition, the processes do not show how to make such a unique intravaginal tampon.

### **Summary of the Invention**

**[0013]** It has been discovered that discrete groove forms having visually distinct zones with different bodily fluid handling characteristics can be formed.

**[0014]** In one aspect of the invention, an intravaginal tampon for feminine hygiene includes a generally cylindrical absorbent pledget and a withdrawal element operatively connected to the generally cylindrical pledget proximate to the withdrawal end thereof. The absorbent pledget includes a mass of fibers compressed into a self sustaining shape and a sheet-like fluid-permeable cover substantially enclosing the mass of fibers. The absorbent pledget has formed thereon or therein a plurality of detached groove forms. At least two of said detached groove forms each has a length, measured along the groove, that is at least 150% of the length of the pledget; each has a major axis having a generally longitudinal orientation; and each has a turn proximate to at least one of the insertion end and the withdrawal end.

**[0015]** Other aspects and features of the present invention will become apparent in those ordinarily skilled in the art upon review of the following description of specific embodiments of the invention in conjunction with the accompanying drawings.

### **Brief Description of the Drawing**

**[0016]**

Fig. 1 is a side view of one embodiment of a tampon according to the present invention.

Fig. 2 is a side view of another embodiment of a tampon according to the present invention.

Fig. 3 is a side view of a third embodiment of a tampon according to the present invention.

Fig. 4 is a side view of a fourth embodiment of a tampon according to the present invention.

Fig. 5 is a side view of a fifth embodiment of a tampon according to the present invention.

Fig. 6 is a side view of a sixth embodiment of a tampon according to the present invention.

Fig. 7 is a perspective view of a press having a single cam useful in forming tampons of the present invention; the cam is partially broken away, and some of the press elements have been removed for increased clarity the illustrated press elements.

Fig. 7A is a side view of the central portion of the press of Fig. 7 including the press dies and central cavity; outer portions of the cam and other press elements are broken away for increased clarity of the central press portion.

Fig. 8 is perspective view of four of the press dies of the press of Fig. 7.

Fig. 9 is cross-section of the central portion of the press of Fig. 7A along line (D-D) in an open position; outer portions of the press elements are broken away for increased clarity of the central press portion.

Fig. 10 is a cross-section of the central portion of the press of Fig. 7 proximate the notch during an initial compression step; outer portions of the press elements are broken away for increased clarity of the central press portion.

Fig. 11 is an enlarged cross-section view of the press of Fig. 10 clearly showing the penetrating die tips crossing during an initial compression step; the remaining press elements are broken away.

Fig. 12 is an enlarged perspective view of the press of Fig. 11; the remaining press elements are broken away.

Fig. 13 is cross-section view of the central portion of the press of Fig. 7A along line (D-D) during an ejection step; outer portions of the press elements are broken away for increased clarity of the central press portion.

Fig. 14 is an end view of the press of Fig. 13 in the ejection position.

Fig. 15 is a longitudinal cross-section of the press of Fig. 13, during an ejection step.

Fig. 16 is a side elevation of a compressed tampon pledget prior to finishing the insertion end and packaging.

Fig. 17 is a line view of the pressing faces of three penetrating dies useful to form the tampon of Fig. 6.

Fig. 18 is a perspective view of a tampon and a finishing mold for use in an alternative embodiment of forming shallow, detached groove forms according to the present invention.

Fig. 19 is a perspective view of a tampon and an embossed calender roll for use in an alternative embodiment of forming shallow, detached groove forms according to the present invention.

### **Detailed Description of the Preferred Embodiments**

**[0017]** As used herein the specification and the claims, the term "groove" and variants thereof relate to an indentation into the surface of the tampon. For clarification, grooves may be "penetrating grooves", extending at least 0.7 mm (or 10% of the radius, whichever is greater) into

the tampon or they may be "shallow grooves", primarily surface indentations without significant penetration (of not more than 0.7 mm, not more than 10% of the radius) into the tampon body. Regions between grooves may take the form of ribs.

**[0018]** As used herein the specification and the claims, the term "groove form" and variants thereof relates to a groove or combination of groove segments that are connected in a visibly identifiable manner to provide a unique feature, at least on the surface of the tampon pledget, detached from other grooves and/or groove forms.

**[0019]** As used herein the specification and the claims, the term "turn" and variants thereof relates to a portion of the groove form in which the groove and/or groove elements reverse(s) upon itself/themselves in a substantially U-shaped or a substantially V-shaped configuration. A "turn" can also have a generally linear extension from the intersection, such as a substantially Y-shaped configuration, but it does not have multiple extensions, such as an X-shaped or +-shaped configuration formed by crossing intersecting lines in which both lines continue beyond the intersection in different paths (such as shown in Ruhlmann, WO 2009/129910 A1).

**[0020]** As used herein the specification and the claims, the term "major axis" and variants thereof relating to the groove form is defined by the shortest line connecting the most distant points of the groove form. Generally, this major axis will pass through at least one turn proximate to one end of the pledget.

**[0021]** As used herein the specification and the claims, the term "longitudinal axis" and variants thereof relate to an axis that runs from the insertion end to the withdrawal end substantially through the center of the tampon.

**[0022]** As used in the specification and the claims, the term "self sustaining shape" and variants thereof relate to a tampon pledget that is compressed and/or shaped to assume a general shape and size that is dimensionally stable. For example, a digital tampon that has a self-sustaining shape will generally maintain its shape after a primary package or overwrap is removed and will generally maintain such shape for vaginal insertion. It will be recognized that the tampon is intended to absorb bodily fluids, and may substantially change shape during use as it absorbs such fluids.

**[0023]** As used in the specification and the claims, the term "pledget" and variants thereof relate to a pad or a compress of absorbent material such as fibers designed to absorb bodily fluids.

**[0024]** As used in the specification and the claims, the term "oriented substantially longitudinally" and variants thereof relate to a groove or a groove segment or a groove form that has a helix angle of greater than 45°.

**[0025]** As used in the specification and the claims, the term "fiber density" and variants thereof relate to the relative proportion of fibers to void space in a given volume of the fibrous structure.

**[0026]** The present invention relates to a tampon with reduced opportunity for bodily fluid to flow along the sur-

face without being absorbed into the tampon pledget. This is accomplished by providing at least two detached groove forms each having a generally longitudinal orientation, a length (measured along the groove) that is at least 150% of the length of the pledget, and a turn proximate to at least one of an insertion end and a withdrawal end. The detached groove forms provide visually distinct zones with different bodily fluid handling characteristics. In addition, the turn proximate to at least one end of the tampon provides at least two groove paths for the fluid to follow to be distributed to different portions of the tampon pledget. Thus, not only does the present invention provide tampons with a plurality of grooves, recognized by the prior art as providing improved fluid handling characteristics, but it also provides either fully or partially closed absorption zones that visually communicate functional benefits to the user, including absorbent reservoirs to better contain bodily fluids in the tampon.

**[0027]** Referring to Fig. 1, an intravaginal tampon 10 for feminine hygiene includes a generally cylindrical absorbent pledget 20 and a withdrawal element 30 extending therefrom. The pledget 20 has a longitudinal axis 21, an insertion end 22 (which may terminate in a dome 23), and a withdrawal end 24. The pledget includes a mass of fibers compressed into a self sustaining shape and a sheet-like fluid-permeable cover 25 (such as an apertured film cover) substantially enclosing the mass of fibers. The withdrawal element 30, such as a string, is operatively connected to and extends from the pledget 20 proximate to the withdrawal end 24 thereof.

**[0028]** The pledget 20 includes a plurality of detached groove forms 40 arranged about the outer surface of the pledget 20. In embodiment of Fig. 1, the detached groove forms 40 each comprise a pair of wavy groove segments 41,42 that link to create a turn 43 proximate to the insertion end 22 of the pledget 20 and are separate proximate to the withdrawal end 24.

**[0029]** In the embodiment of Fig. 2, additional longitudinal grooves 44 are disposed between detached groove forms 40.

**[0030]** The embodiment of Fig. 3 is similar to the embodiment of Fig. 1. However, in the embodiment of Fig. 3, the turn 43 is proximate to the withdrawal end 24.

**[0031]** The embodiment of Fig. 4 is similar to the embodiment of Fig. 1. However, in the embodiment of Fig. 4, an additional longitudinal groove segment 45 links with groove segment 42 to form a second turn 43 proximate to the withdrawal end 24. This forms a substantially inverted "N-shaped" detached groove form.

**[0032]** In the embodiment of Fig. 5, the detached groove forms 40' each comprise a pair of groove segments 41',42' that link to create a turn 43' proximate to both the insertion end 22 and the withdrawal end 24 of the pledget 20 to provide discrete surface zones 46 bounded by the encircling groove forms 40'.

**[0033]** In the embodiment of Fig. 6, additional longitudinal grooves 44 are disposed between detached groove forms 40'.

**[0034]** Again the groove forms may comprise a plurality of groove segments. These groove segments may have a configuration that is a straight line, a plurality of linked angled segments (such as a saw tooth waveform or a square waveform), a plurality of curved segments (such as a sinusoidal waveform), and combinations thereof.

**[0035]** The configuration of the groove segments may differ between groove forms, or they may be the same. The configuration of groove segments within each groove form may also be the same or different. Additional grooves, including longitudinal grooves 44, may be configured similarly to or distinct from each other and the configuration of the groove segments making up the groove forms 40.

**[0036]** The absorbent pledget includes a mass of fibers compressed into a self sustaining shape. The pledget may also include additional absorbent materials such as foam, superabsorbent, hydrogels, and the like. Preferred absorbent material for the present invention includes foam and fiber. Absorbent foams may include hydrophilic foams, foams which are readily wetted by aqueous fluids as well as foams in which the cell walls that form the foam themselves absorb fluid.

**[0037]** Preferably, the fibers employed in the formation of the absorbent body include regenerated cellulosic fiber, natural fibers and synthetic fibers. Preferably, the materials employed in the formation of a tampon according to the present invention include fiber, foam, hydrogels, wood pulp, superabsorbents, and the like. A useful, non-limiting list of useful absorbent body fibers includes natural fibers such as cotton, wood pulp, jute, and the like; and processed fibers such as regenerated cellulose, cellulose nitrate, cellulose acetate, rayon, polyester, polyvinyl alcohol, polyolefin, polyamine, polyamide, polyacrylonitrile, and the like. Other fibers in addition to the above fibers may be included to add desirable characteristics to the absorbent body. Preferably, tampon fibers are rayon, cotton, or blends thereof, and more preferably, the fibers are rayon. The fibers may have any useful cross-section.

**[0038]** Fiber cross-sections include multi-limbed and non-limbed. Multi-limbed, regenerated cellulosic fibers have been commercially available for a number of years. These fibers are known to possess increased specific absorbency over non-limbed fibers. A commercial example of these fibers is the Galaxy® multilimbed viscose rayon fibers available from Kelheim Fibres GmbH, Kelheim, Germany. These fibers are described in detail in Wilkes et al., US Pat. No. 5,458,835, the disclosure of which is hereby incorporated by reference. Preferably, the fibers include hydrophilic fibers, and more preferably, the fibers include absorbent fibers, i.e., the individual fibers, themselves, absorb fluid. A useful, non-limiting list of useful tampon fibers includes natural fibers such as cotton, wood pulp, jute, hemp, and the like; and processed fibers such as regenerated cellulose, cellulose nitrate, cellulose acetate, rayon, polyester, polyvinyl alcohol, polyolefin, polyamine, polyamide, polyacrylonitrile,

and the like. Other fibers in addition to the above fibers may be included to add desirable characteristics to the absorbent body. For example, hydrophobic fibers may be used in outer surfaces of the tampon to reduce surface wetness and hydrophilic fibers may be used to increase the rate of fluid transport into and throughout the body. Preferably, the tampon fibers are rayon or cotton, and more preferably, the fibers are rayon. The fibers may have any useful cross-section.

**[0039]** The pledget includes a mass of fibers substantially enclosed by a sheet-like cover material fluid-permeable cover. Thus, the cover encloses a majority of the outer surface of the tampon. This may be achieved as disclosed in Friese, U.S. Patent No. 4,816,100, the disclosure of which is herein incorporated by reference. In addition, either or both ends of the tampon may be enclosed by the cover. Of course, for processing or other reasons, some portions of the surface of the tampon may be free of the cover. For example, the insertion end of the tampon and a portion of the cylindrical surface adjacent this end may be exposed, without the cover to allow the tampon to more readily accept fluids.

**[0040]** The cover can ease the insertion of the tampon into the body cavity and can reduce the possibility of fibers being separated from the tampon. Useful covers are known to those of ordinary skill in the art, and they are generally dimensionally stable with low elongation in both the machine and cross-direction. They may be selected from an outer layer of fibers which are fused together (such as by thermobonding), a nonwoven fabric, an apertured film, or the like. Preferably, the cover has a hydrophobic finish.

**[0041]** A process useful in the formation of an intravaginal tampon for feminine hygiene of the present invention with grooved zones begins with an open fibrous structure. The open structure may be a nonwoven fibrous web, a mass of randomly or substantially uniformly oriented fibers and optional materials, such as foams, or particles, and the like. This mass is then manipulated to form a tampon blank.

**[0042]** A nonwoven web useful in the present invention can be formed in any manner desired by the person of ordinary skill in the art. For example, fibers can be opened and/or blended by continuously metering them into a saw-tooth opener. The blended fibers can be transported, e.g., by air through a conduit to a carding station to form a fibrous web. Alternatively, a mass of substantially randomly oriented fibers can be formed by opening and/or blending them, transporting them, as above, to a station to form, e.g., a teabag-type tampon blank. Further processes may employ oriented fibers in a fibrous tow.

**[0043]** The tampon blank can be further processed to form a tampon. In a tampon forming process, a web can be formed into a narrow, fibrous sliver and spirally wound to form a tampon blank. In addition, a liquid-permeable cover material can be wrapped around the tampon blank to substantially contain the fibrous absorbent portion of the tampon. It may be desired to process the fibrous sliver

with selective needle-punching of the sliver as disclosed in US Pat. No. 7,845,055 to Kimball et al., the disclosure of which is herein incorporated by reference.

**[0044]** As shown in Figs. 7-16, the intravaginal tampon for feminine hygiene of Fig. 1 having a predetermined finished diameter can be formed in a press 100 having (1) a generally cylindrical press cavity 102 having a central press axis 104 and a substantially cylindrical circumference and (2) a plurality of elongate press dies. A partially broken-away perspective view of the press 100 is shown in Fig. 7. This figure includes only seven of sixteen press dies and a portion of the press cam removed for clarity. The press dies may include penetrating dies 106 having pressing faces for defining a set of penetrating grooves that extend into the finished tampon pledget and shaping dies 108 for forming surface features, including shallow grooves on the outer surface of a resulting compressed tampon pledget, or smoothing the outer surface of a resulting compressed tampon pledget, or forming a continuous diameter for guiding resulting compressed tampon pledget out of the press during the ejection step. The penetrating dies 106 and shaping dies 108 alternate about the circumference of the cylindrical press cavity.

**[0045]** More detail of the press dies can be seen in Fig. 8, an enlarged view of the bottom right four press dies of Fig. 7. In this view, a first penetrating die 106a has a pressing face 107 and shape corresponding to groove segment 41 and a second penetrating die 106b has a shape corresponding to groove segment 42 (of Fig. 1). As can be seen in Fig. 8, one end 150a of the first penetrating die 106a extends beyond the corresponding end 150b of the second penetrating die 106b. Indeed, the end 150b of the second penetrating die 106b is curved toward the first penetrating die 106a in order to form the turn 43 in the surface of the tampon pledget 20 (as shown in Fig. 1) proximate to the insertion end 22. In this embodiment, the end 150a of the first penetrating die 106a corresponds to the insertion end 22 of the tampon pledget 20 of Fig. 1.

**[0046]** Turn 43 of the detached groove form 40 is formed by the link between groove segments 41 and 42 (see Fig. 1). To form a linked groove form 40, the penetrating dies 106a, 106b travel on a path that crosses during the compression of the tampon blank 200 (see Fig. 9) to form the pledget 20. Therefore, the longer penetrating die 106a has a notch 152 formed (see Fig. 8) proximate to, although spaced from, the end 150a to permit the end 150b of penetrating die 106b to pass across the path of travel of penetrating die 106a.

**[0047]** The shaping dies 108 are shaped to accommodate the shape of the penetrating dies 106 disposed therebetween. Thus, shaping die 108a corresponds to the surface of the pledget 20 contained by the groove segments 41 and 42 and the turn 43. This shaping die 108a is shorter than shaping die 108b corresponds to the surface of the pledget 20 that is open to the insertion end 22.

**[0048]** In the foregoing description, the grouping of the four press pieces may be repeated four times to provide four "petals" around the circumference of the tampon

pledget. Alternatively, there could be three sets of the four press dies to form three "petals" around the circumference of the tampon pledget.

**[0049]** In this process, a substantially cylindrical tampon blank 200 is inserted into the press cavity 102 in an open position shown in Fig. 9 (a cross-section of the press of Fig. 6B and tampon proximate to the notch 152 in the first penetrating die 106a, looking from the interior of the press toward the end of the press corresponding to the insertion end of the tampon in Fig. 1), after which an initial compression step is performed. In this initial compression step, at least the penetrating dies 106 are moved into the press cavity 102 to a penetrating die closed position having a clear distance "r" (see Fig. 11) from the press axis 104 that is less than the predetermined finished diameter as shown in Fig. 10 and in detail in Figs. 11 and 12. In this position (Fig. 12), it can be seen that the second penetrating dies 106b cross through the notch 152 in the first penetrating dies 106a in the penetrating die closed position. This initial compression step forms the compressed fibrous core of the tampon and provides column strength for easy insertion without need for a tampon applicator, known in the art as digital insertion.

**[0050]** In one embodiment, a second compression step that applies to the substantially longitudinal ribs of the preform a radial pressure directed toward the central press axis to provide a compressed tampon pledget of reduced diameter relative to the preform is represented in Figs. 13 (a cross-section of the press, proximate to the center of the press cavity) and 14 (an end view of the press). In this step, the penetrating dies 106 are retracted to assume a clear distance from the press axis that is sufficient to permit the shaping dies 108 to advance toward the press axis beyond the penetrating dies. Then the set of shaping dies is moved to a shaping die closed position. The compressed tampon pledget may be ejected from the press cavity 102 using the shaping dies 108 to provide a substantially smooth guide for the compressed tampon pledget to permit removal of the compressed tampon pledget from the press and pushing on one end of the compressed tampon pledget with a push rod 110 (shown in Fig. 15).

**[0051]** The tampon can be further shaped and packaged. For example, the insertion end can be formed into a hemispherical or elliptical dome shape, and the tampon can be enclosed in a primary packaging material that can also support the final shape of the tampon.

**[0052]** In somewhat greater detail, the tampon press 100 of Figs. 7 and 8 includes a cam 120, penetrating die assemblies 130, and shaping die assemblies 140. The cam 120 is generally circular and includes slots 122 to urge the die assemblies 130, 140 into and out of the press cavity 102 as the cam is pivoted about the press axis 104. Each penetrating die assembly 130 includes a pair of slides (an exemplary slide 132 is shown on one side of the cam 120; another, not shown, would be on the opposite side of the cam 120) and the penetrating die 106. Each shaping die assembly 140 includes a pair of

slides (an exemplary slide 142 is shown on one side of the cam 120; another, not shown, would be on the opposite side of the cam 120) and the shaping die 108. Alternatively, multiple cams 120a, 120b may be used to permit more variability to the control of the movement of the dies, e.g., one cam could operate penetrating dies 106 and another could operate shaping dies.

**[0053]** Upon ejection from the press 100, compressed pledget 20 is generally cylindrical as shown in Fig. 16. The pressed groove segments generally extend from the insertion end 22 to the withdrawal end 24. Those pressed groove segments 50 that extend from the turn 43 to the insertion end 22 of the pledget will essentially be restructured in the doming process mentioned above to substantially eliminate them, both aesthetically and functionally. This is enhanced by the absence of the cover 25 in the region of the dome 23.

**[0054]** In an alternative embodiment, especially enabled by a multiple cam controlled process, the penetrating jaws 106a, 106b may be controlled to advance them separately. For example, penetrating jaw 106b may be advanced to the closed position, withdrawn sufficiently to permit penetrating jaw 106a to fully advance toward the press axis 104 in the closed position. This eliminates the need for notch 152 in penetrating jaw 106a, as the two penetrating jaws do not need to occupy the same space. In addition, as described in the embodiment, below, this could permit penetrating jaws 106a to remain in contact with the compressed tampon pledget 20 during ejection from the press.

**[0055]** While the foregoing detailed embodiments describe tampons having four groove forms resulting from eight linked groove segments, it will be recognized that the number of groove forms and/or groove segments can be varied, as desired. There may be an even or odd number of groove forms and/or groove segments - for example, embodiments similar to that shown in Fig. 6 could have three or four groove forms separated by an equal number of additional longitudinal grooves. Thus, a three groove form structure with three additional longitudinal grooves could be formed with a combination of six linked groove forms (forming the three groove forms) and three additional longitudinal grooves; a total of nine groove segments and/or longitudinal grooves. A corresponding number of penetrating dies would be required in contrast with the sixteen penetrating dies described in reference to Figs. 7-15, above. A line drawing of the pressing faces 107 of a set of three adjacent penetrating dies for such an embodiment is shown in Fig. 17. In this drawing, penetrating dies 106a', 106b' create the linked groove form, while independent penetrating die 106c forms the additional groove 44 between groove forms 40' of Fig. 6.

**[0056]** In yet another alternative process, the tampon blank may be compressed as described in Friese et al., U.S. Pat. No. 4,816,100; Leutwyler et al., U.S. Pat. No. 5,813,102; Schwankhardt, U.S. Pat. No. 5,909,884; and/or Schoelling, US 2002-0151859 A1 (the disclosures

of which are herein incorporated by reference) with additional post-processing in which longitudinal grooves substantially smoothed to reduce their appearance, and shallow, detached groove forms are pressed. For example, as shown in Fig. 18 a tampon 320 produced according to the teaching of Leutwyler et al., U.S. Pat. No. 5,813,102 is inserted into a finishing mold 330 having a diameter less than the diameter of the tampon 320. In the embodiment of Fig. 18, three mold elements are used, and only one of the three mold elements 330 is shown for clarity. The other mold elements would extend evenly spaced about the tampon 320. The inner surface 332 of the finishing mold 330 has a pattern of raised elements 334 capable of forming the shallow detached groove forms (similar to detached groove forms in Fig. 1). Alternatively as shown in Fig. 19, the tampon 320 could be inserted and maintained in the nip between a calendaring roller 340 having an embossed pattern 342 corresponding to the desired detached groove forms and one or more anvil roller(s) 350 for at least one revolution of the tampon. This can result in the desired shallow detached groove forms pressed into the surface of the tampon as shown in Fig. 1.

**[0057]** The specification and embodiments above are presented to aid in the complete and non-limiting understanding of the invention disclosed herein. Since many variations and embodiments of the invention can be made without departing from its spirit and scope, the invention resides in the claims hereinafter appended.

## Claims

1. An intravaginal tampon for feminine hygiene comprising:
    - a) a generally cylindrical absorbent pledget having a length, a longitudinal axis, an insertion end, and a withdrawal end and comprising
      - i) a mass of fibers compressed into a self sustaining shape and
      - ii) a sheet-like fluid-permeable cover substantially enclosing the mass of fibers;
    - b) a withdrawal element operatively connected to the generally cylindrical pledget proximate to the withdrawal end thereof;
- wherein (1) the absorbent pledget comprises a plurality of detached groove forms, (2) at least two of said detached groove forms
- (i) each has a length, measured along the groove, that is at least 150% of the length of the pledget;
  - (ii) each has a major axis having a generally longitudinal orientation; and



- (iii) each has a turn proximate to at least one of the insertion end and the withdrawal end.
2. The tampon of claim 1 wherein the turn of the groove forms is disposed proximate to the insertion end of the pledget. 5
  3. The tampon of claim 1 wherein the turn of the groove forms is disposed proximate to the withdrawal end of the pledget. 10
  4. The tampon of claim 1 wherein at least one groove form has a turn disposed proximate to each of the withdrawal end and the insertion end of the pledget to form a discrete surface zone bounded by such groove form. 15
  5. The tampon of any preceding claim wherein at least one groove form comprises three groove segments, wherein: 20
    - i) each groove segment has a generally longitudinal orientation;
    - ii) a first groove segment links with a second groove segment proximate the insertion end of the pledget, and a third groove segment links with the second groove segment proximate the withdrawal end of the pledget to form a discrete groove form having a general shape selected from the group consisting of "N-shaped" and inverted "N-shaped." 25 30
  6. The tampon of any preceding claim wherein the pledget comprises at least one additional groove disposed between two groove forms. 35
  7. The tampon of claim 6, wherein the at least one additional groove is oriented substantially longitudinally
  8. The tampon of any preceding claim contained in an applicator. 40
  9. The tampon of any preceding claim, wherein the groove form extends at least 10% of the radius into the pledget. 45
  10. The tampon of any preceding claim formed by molding a compressed tampon in a mold having an inner surface patterned with raised elements capable of forming at least one shallow detached groove form. 50
  11. The tampon of any of claims 1 to 9 formed by calendaring a compressed tampon in the nip between one or more anvil rolls and a calendaring roll having an embossed pattern corresponding to a desired detached groove form. 55

## Patentansprüche

1. Intravaginaler Tampon für die weibliche Hygiene, umfassend:
  - a) einen allgemein zylinderförmigen saugfähigen Bausch mit einer Länge, einer Längsachse, einem Einführungsende und einem Rückziehende, und umfassend:
    - i) eine Fasermasse, die in eine sich selbst erhaltende Gestalt zusammengepresst wurde, und
    - ii) eine flächenförmige flüssigkeitsdurchlässige Abdeckung, welche die Fasermasse im Wesentlichen umschließt;
  - b) ein Rückziehelement in Wirkverbindung mit dem allgemein zylinderförmigen Bausch neben dem Rückziehende davon;

worin (1) der saugfähige Bausch eine Vielzahl von getrennten Rillenformen (2) umfasst, wobei zumindest zwei der getrennten Rillenformen

  - (i) jeweils eine Länge, gemessen entlang der Rille, aufweisen, die mindestens 150% der Länge des Bausches beträgt;
  - (ii) jeweils eine Hauptachse mit einer allgemein längsgerichteten Orientierung aufweisen; und
  - (iii) jeweils eine Windung neben zumindest dem Einführungsende und/oder dem Rückziehende aufweisen.
2. Tampon nach Anspruch 1, worin die Windung der Rillenformen neben dem Einführungsende des Bausches angeordnet ist.
3. Tampon nach Anspruch 1, worin die Windung der Rillenformen neben dem Rückziehende des Bausches angeordnet ist.
4. Tampon nach Anspruch 1, worin zumindest eine Rillenform eine Windung aufweist, die sowohl neben dem Rückziehende als auch neben dem Einführungsende des Bausches angeordnet ist, um eine diskrete Oberflächenzone zu bilden, die von einer solchen Rillenform begrenzt wird.
5. Tampon nach einem der vorhergehenden Ansprüche, worin zumindest eine Rillenform drei Rillensegmente umfasst, worin:
  - i) jedes Rillensegment eine allgemein längsgerichtete Orientierung aufweist;
  - ii) ein erstes Rillensegment mit einem zweiten Rillensegment neben dem Einführungsende des Bausches verbunden ist, und ein drittes RIL-

- lensegment mit dem zweiten Rillensegment neben dem Rückziehende des Bausches verbunden ist, um eine diskrete Rillenform mit einer allgemeinen Form zu bilden, die aus der aus "N-förmig" und umgedreht "N-förmig" bestehenden Gruppe ausgewählt ist.
6. Tampon nach einem der vorhergehenden Ansprüche, worin der Bausch zumindest eine zusätzliche Rille umfasst, die zwischen zwei Rillenformen angeordnet ist.
7. Tampon nach Anspruch 6, worin die zumindest eine zusätzliche Rille im Wesentlichen in Längsrichtung orientiert ist.
8. Tampon nach einem der vorhergehenden Ansprüche, in einem Applikator enthalten.
9. Tampon nach einem der vorhergehenden Ansprüche, worin sich die Rillenform zu zumindest 10% des Radius in den Bausch erstreckt.
10. Tampon nach einem der vorhergehenden Ansprüche, geformt durch Formen eines zusammengepressten Tampons in einer Form mit einer Innenfläche, die ein Muster aus erhabenen Elementen aufweist, die zumindest eine flache getrennte Rillenform bilden können.
11. Tampon nach einem der Ansprüche 1 bis 9, geformt durch Kalandrieren eines zusammengepressten Tampons in dem Spalt zwischen einer oder mehreren Gegenwalzen und einer Kalenderwalze mit einem Prägemuster, das einer gewünschten getrennten Rillenform entspricht.

## Revendications

1. Tampon intra-vaginal pour hygiène féminine, comprenant:
- a) une compresse absorbante essentiellement cylindrique présentant une longueur, un axe longitudinal, une extrémité d'insertion et une extrémité de retrait, et comprenant:
- i) une masse de fibres comprimées en une forme auto-portante; et
- ii) une couverture perméable au fluide en forme de film qui enveloppe sensiblement la masse de fibres;
- b) un élément de retrait qui est connecté de façon opérationnelle à la compresse essentiellement cylindrique à proximité de l'extrémité de retrait de celle-ci;
- dans lequel (1) la compresse absorbante comporte une pluralité de formes de rainure détachées, (2) au moins deux desdites formes de rainure détachées:
- i) présentent chacune une longueur, mesurée le long de la rainure, qui correspond à au moins 150 % de la longueur de la compresse;
- ii) présentent chacune un axe majeur orienté de façon essentiellement longitudinale; et
- iii) présentent chacune une courbe à proximité d'au moins une parmi l'extrémité d'insertion et l'extrémité de retrait.
2. Tampon selon la revendication 1, dans lequel la courbe des formes de rainure est située à proximité de l'extrémité d'insertion de la compresse.
3. Tampon selon la revendication 1, dans lequel la courbe des formes de rainure est située à proximité de l'extrémité de retrait de la compresse.
4. Tampon selon la revendication 1, dans lequel au moins une forme de rainure présente une courbe qui est située à proximité de chacune de l'extrémité de retrait et de l'extrémité d'insertion de la compresse de manière à former une zone de surface discrète délimitée par ladite forme de rainure.
5. Tampon selon l'une quelconque des revendications précédentes, dans lequel au moins une forme de rainure comprend trois segments de rainure, dans lequel:
- i) chaque segment de rainure présente une orientation essentiellement longitudinale;
- ii) un premier segment de rainure se connecte à un deuxième segment de rainure à proximité de l'extrémité d'insertion de la compresse, et un troisième segment de rainure se connecte au deuxième segment de rainure à proximité de l'extrémité de retrait de la compresse afin de former une forme de rainure discrète dont la forme générale est sélectionnée dans le groupe comprenant une forme de N et une forme de N inversée.
6. Tampon selon l'une quelconque des revendications précédentes, dans lequel la compresse comporte au moins une rainure supplémentaire qui est située entre deux formes de rainure.
7. Tampon selon la revendication 6, dans lequel ladite au moins une rainure supplémentaire est orientée de façon sensiblement longitudinale.
8. Tampon selon l'une quelconque des revendications précédentes contenu dans un applicateur.

9. Tampon selon l'une quelconque des revendications précédentes, dans lequel la forme de rainure s'étend sur au moins 10 % du rayon dans la compresse.
10. Tampon selon l'une quelconque des revendications précédentes formé en moulant un tampon comprimé dans un moule présentant une surface intérieure à motifs avec des éléments saillants capables de former au moins une forme de rainure détachée peu profonde. 5  
10
11. Tampon selon l'une quelconque des revendications 1 à 9 formé en calandrant un tampon comprimé dans l'espace entre un ou plusieurs rouleau(x) d'enclume et un rouleau de calandrage comportant un motif gaufré qui correspond à une forme de rainure détachée souhaitée. 15

20

25

30

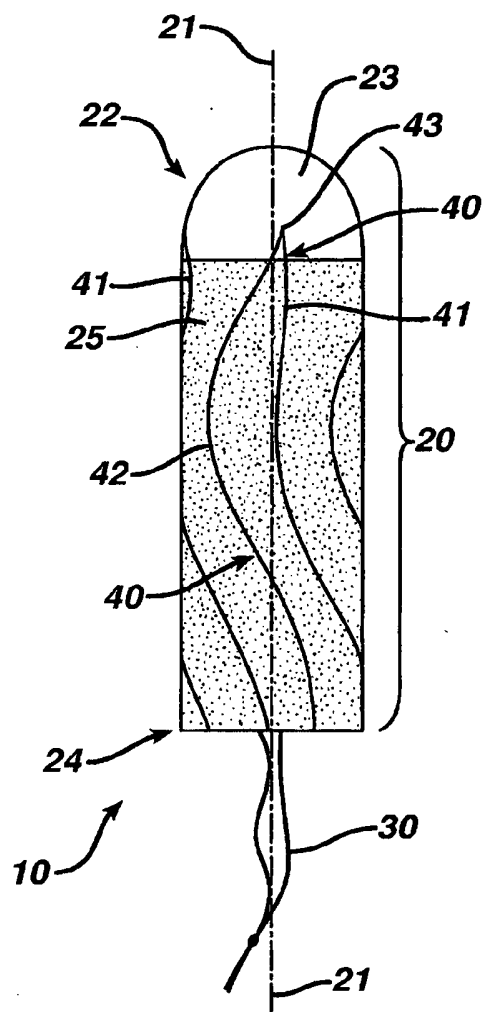
35

40

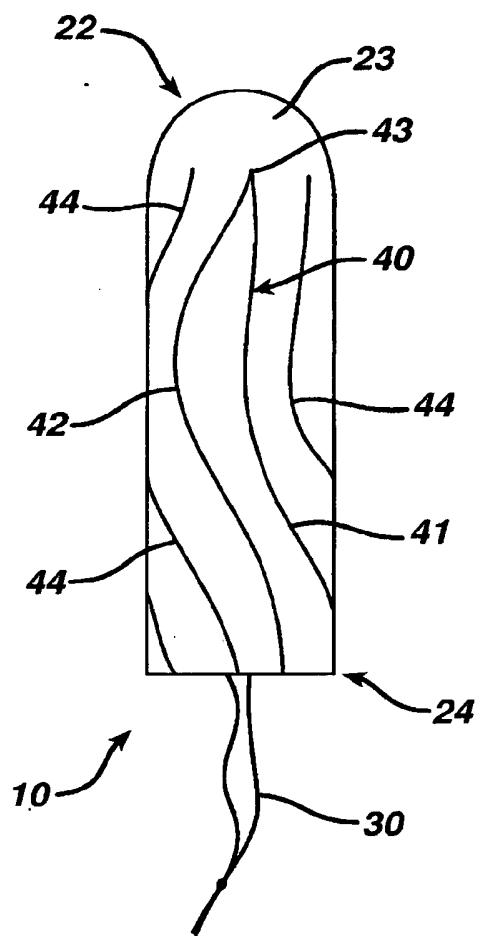
45

50

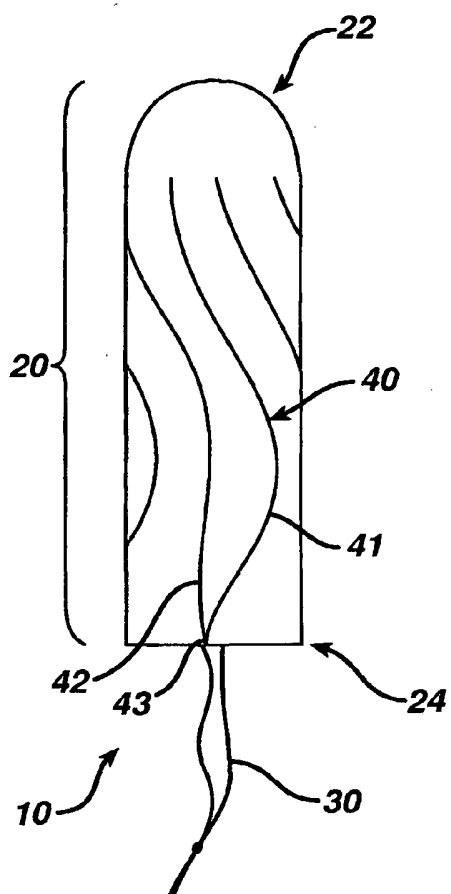
55



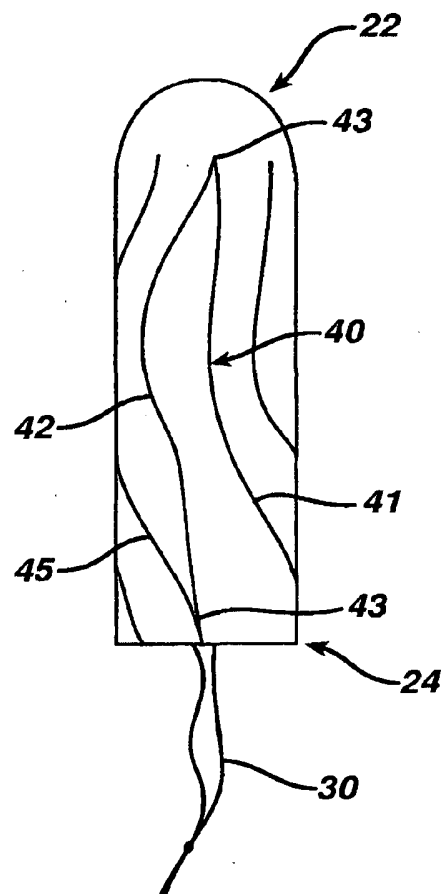
**FIG. 1**



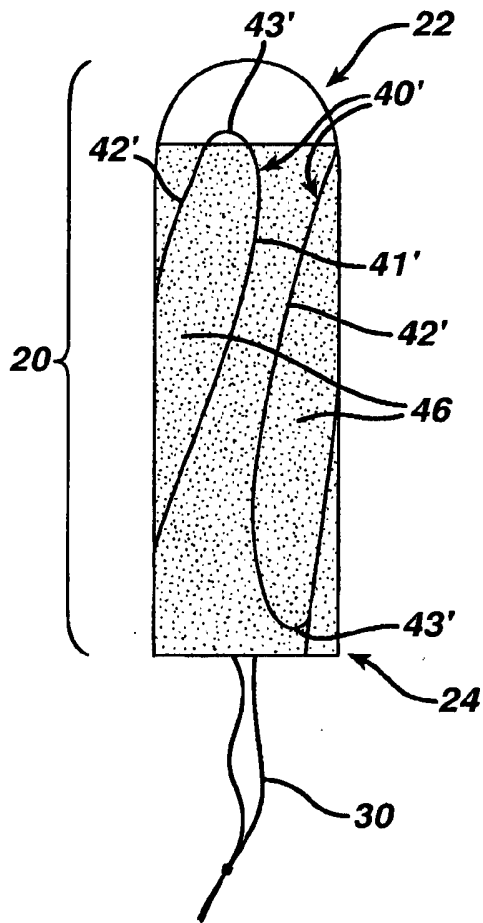
**FIG. 2**



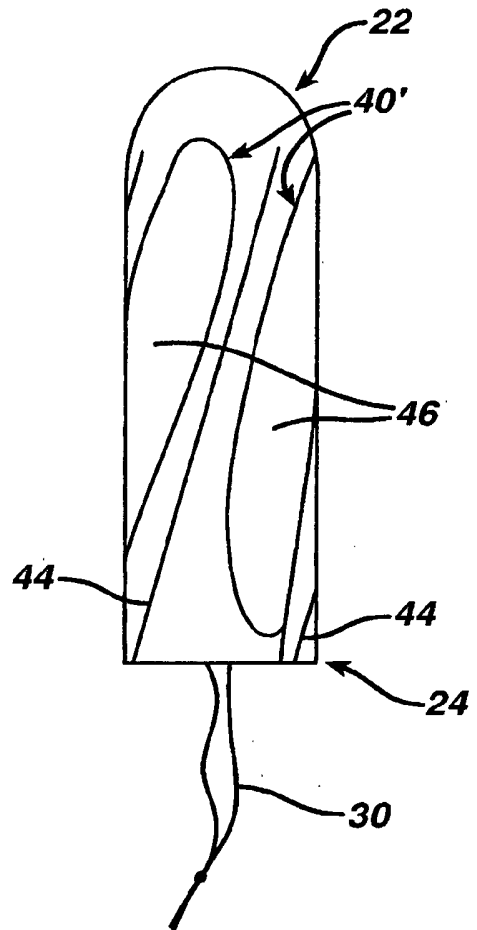
**FIG. 3**



**FIG. 4**

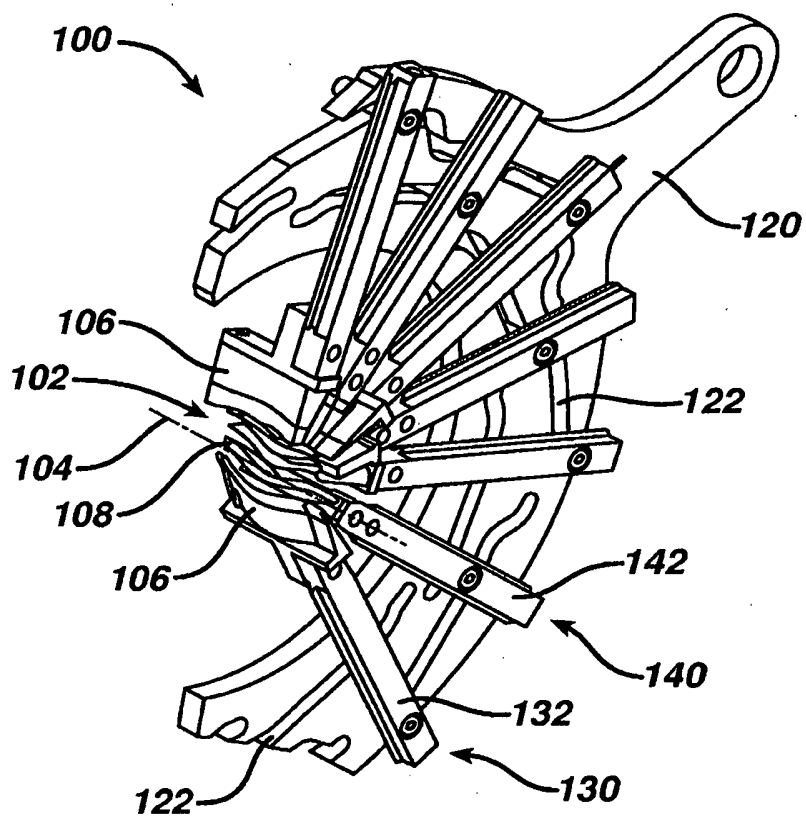


**FIG. 5**

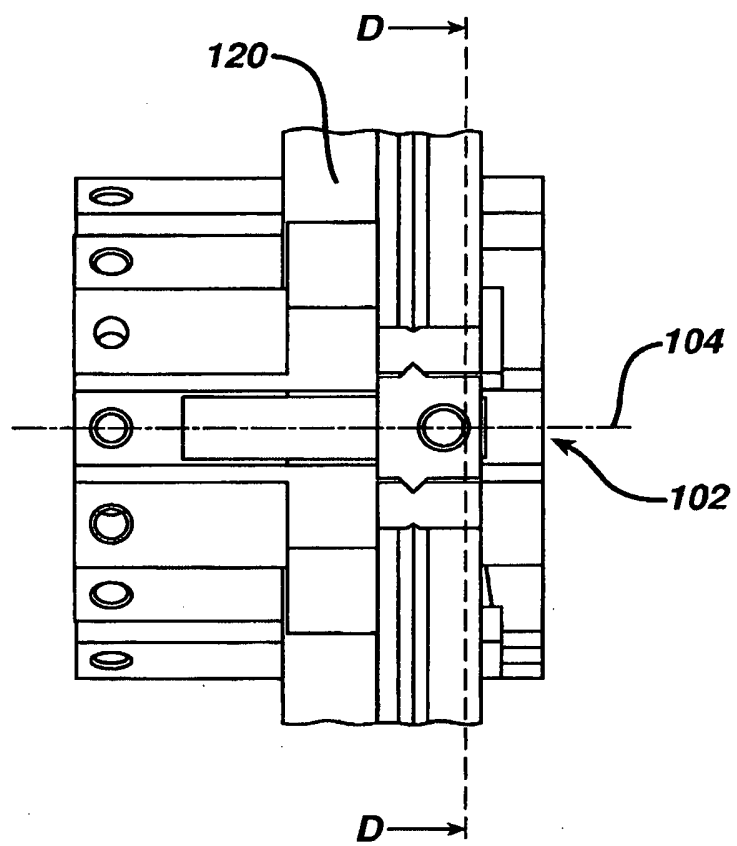


**FIG. 6**

**FIG. 7**

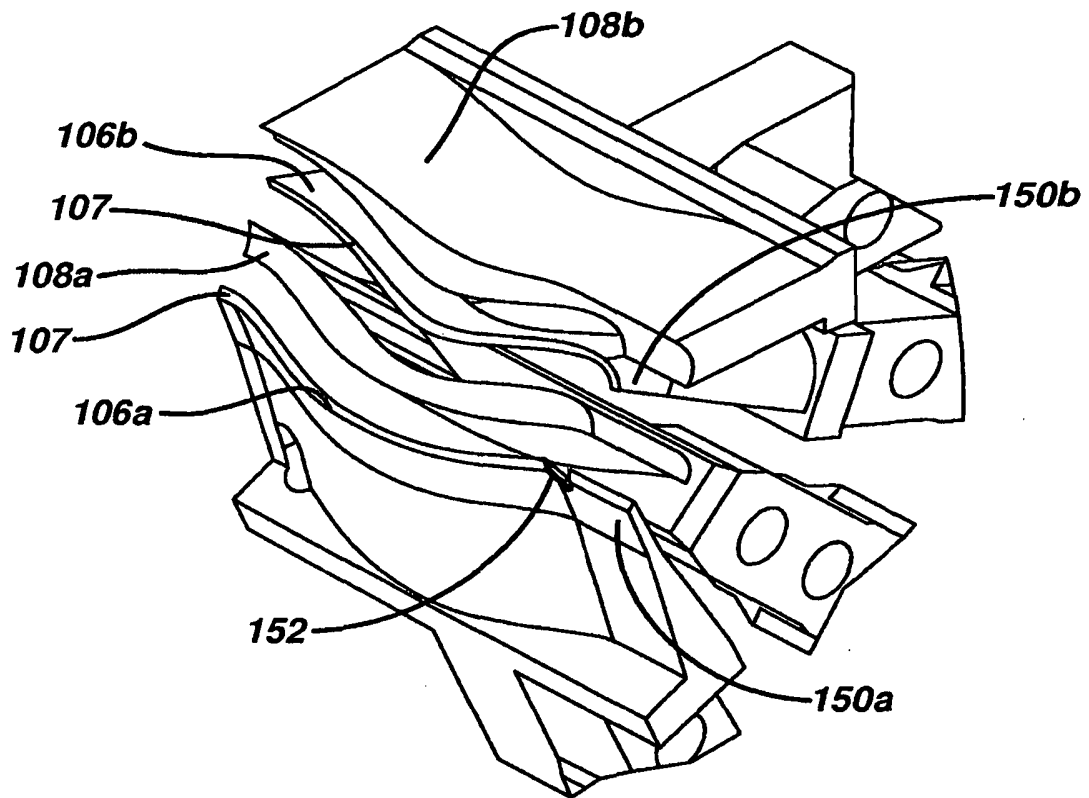


**FIG. 7A**

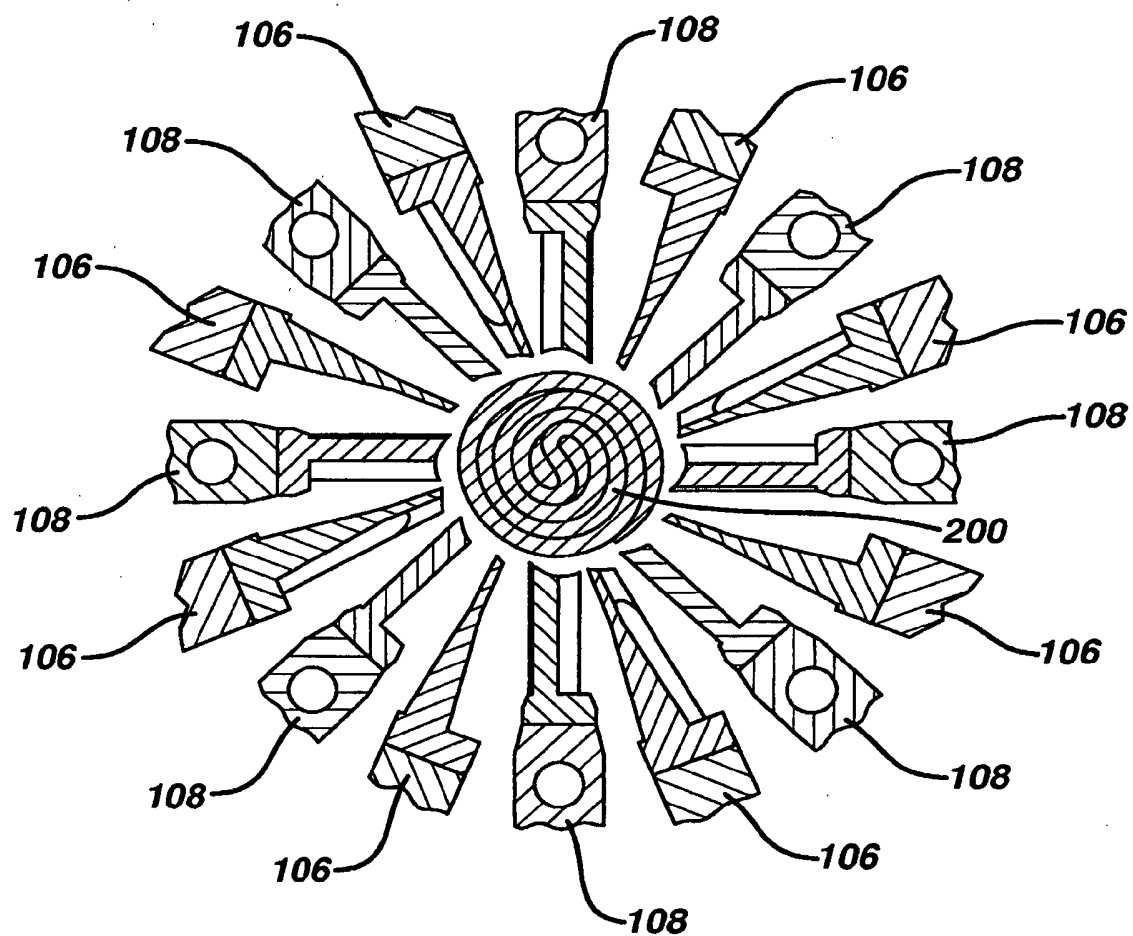




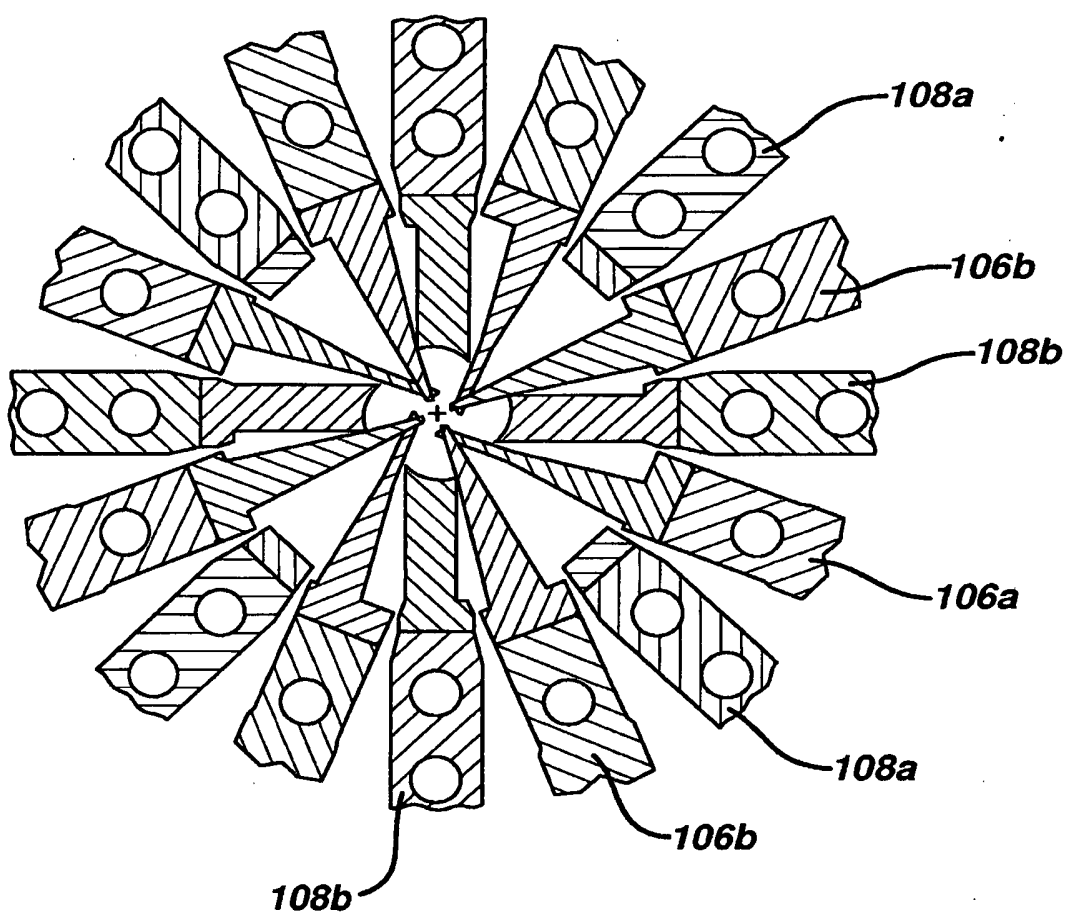
**FIG. 8**



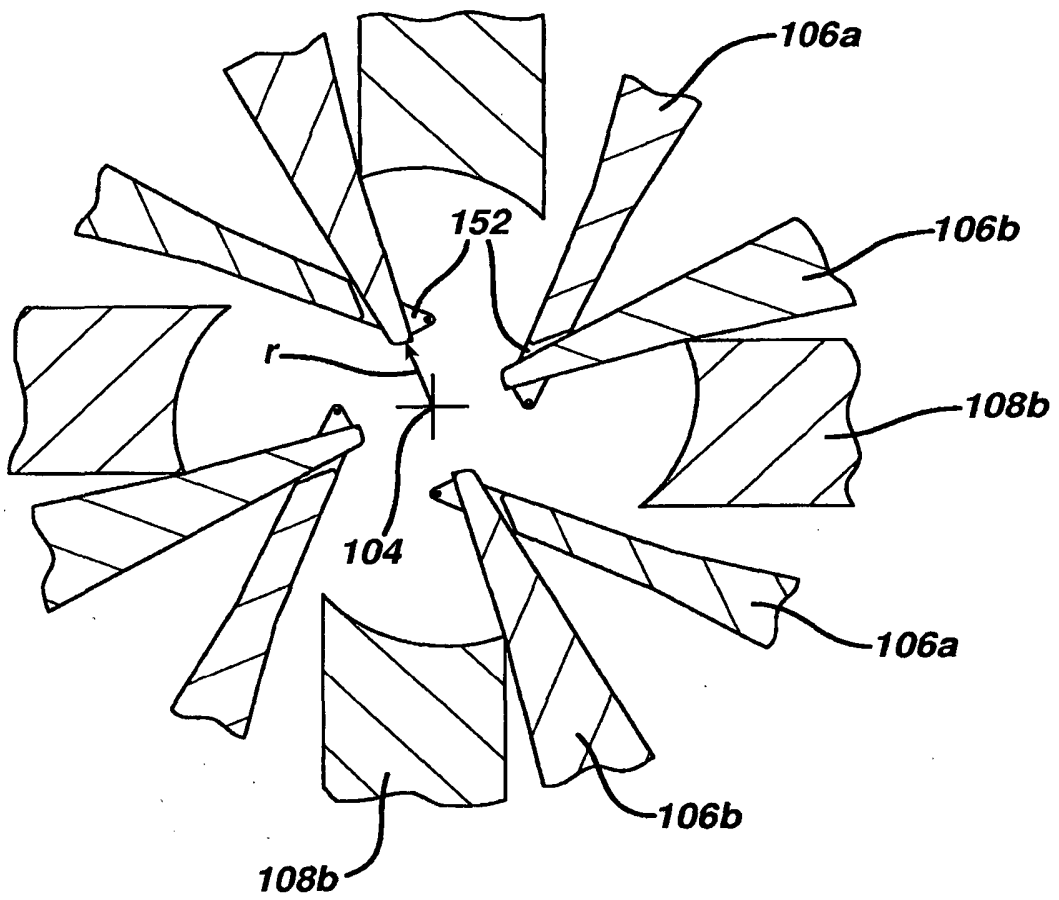
**FIG. 9**



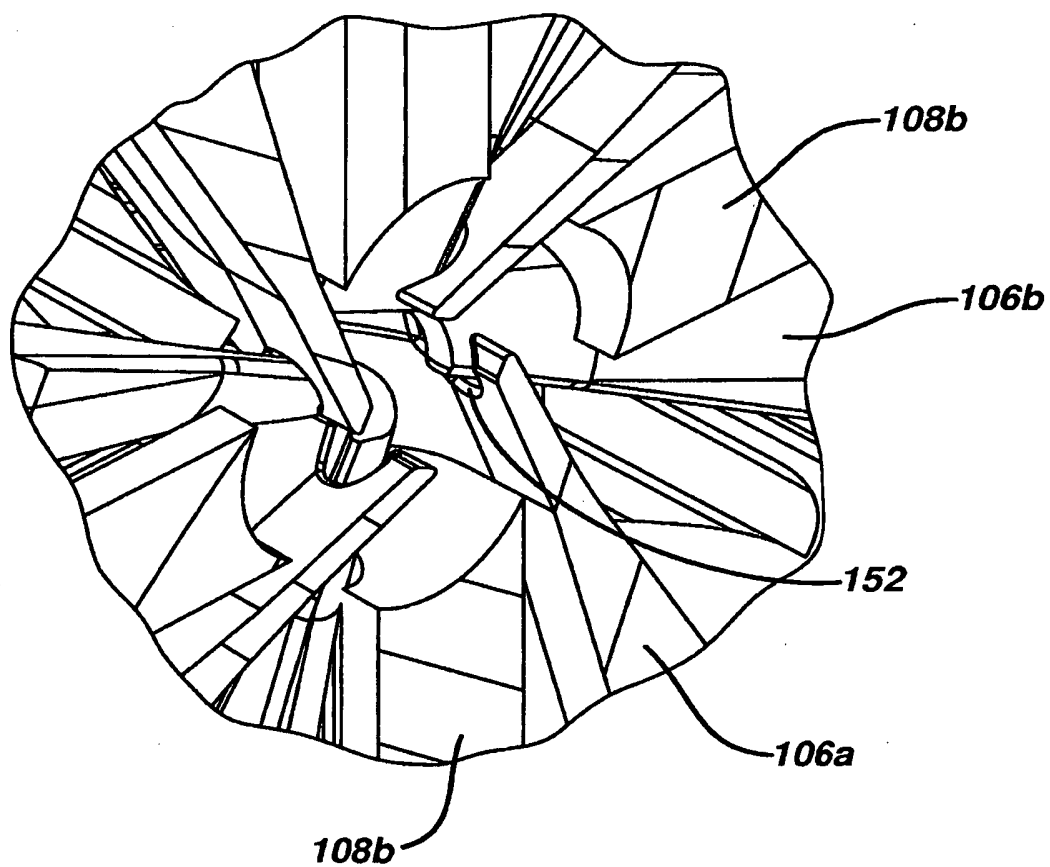
**FIG. 10**



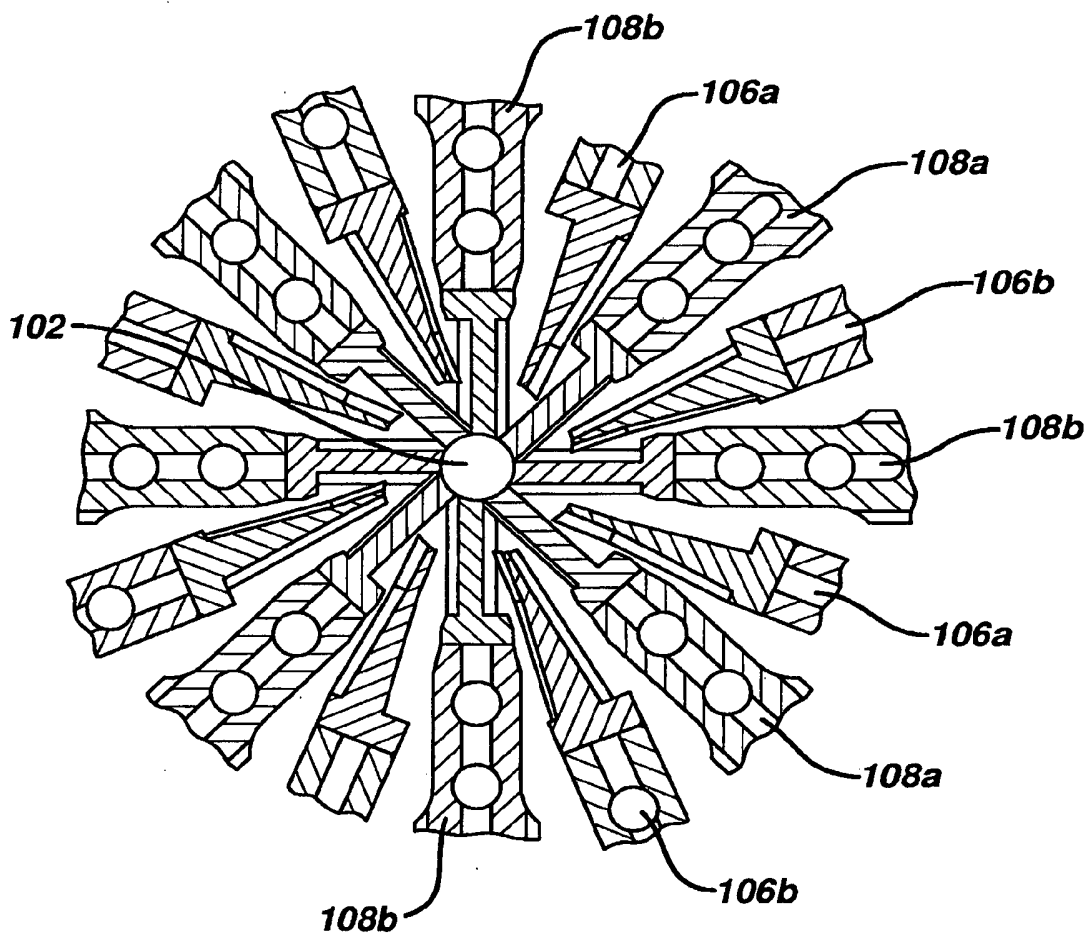
**FIG. 11**



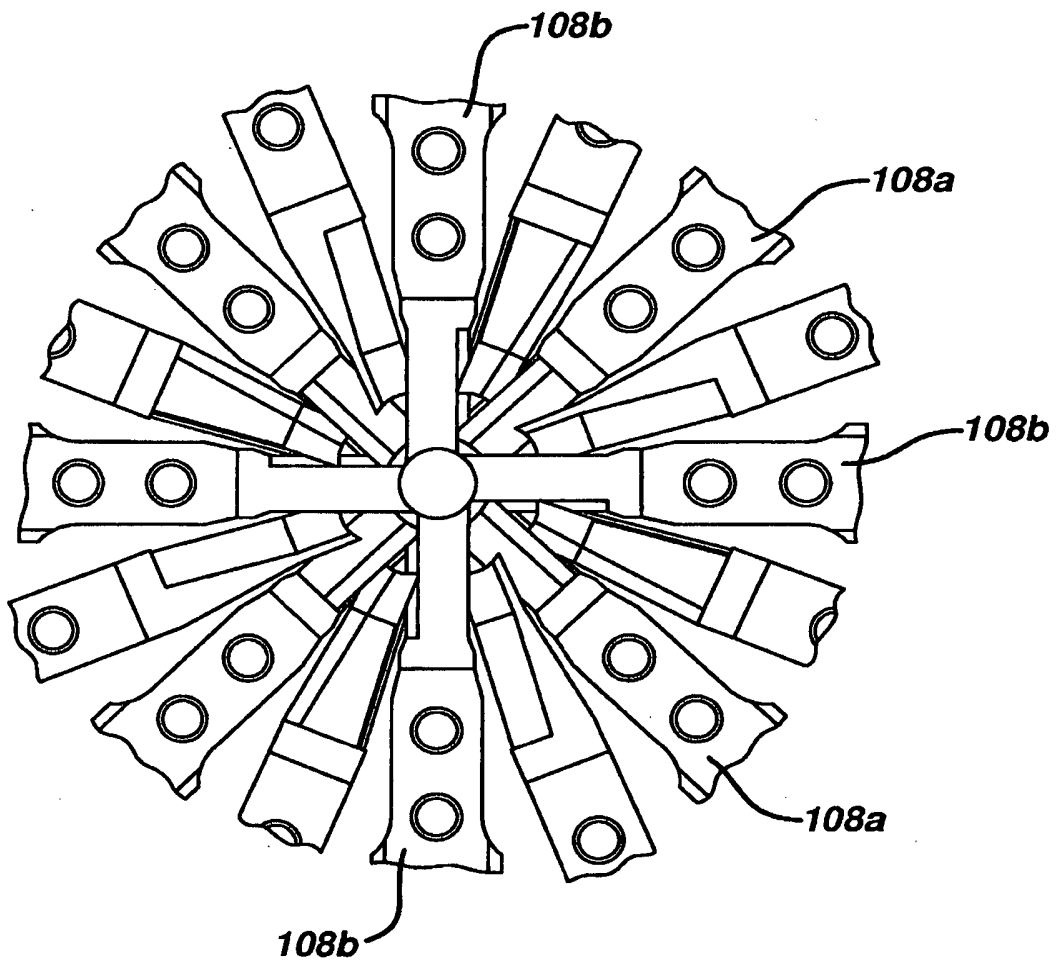
**FIG. 12**



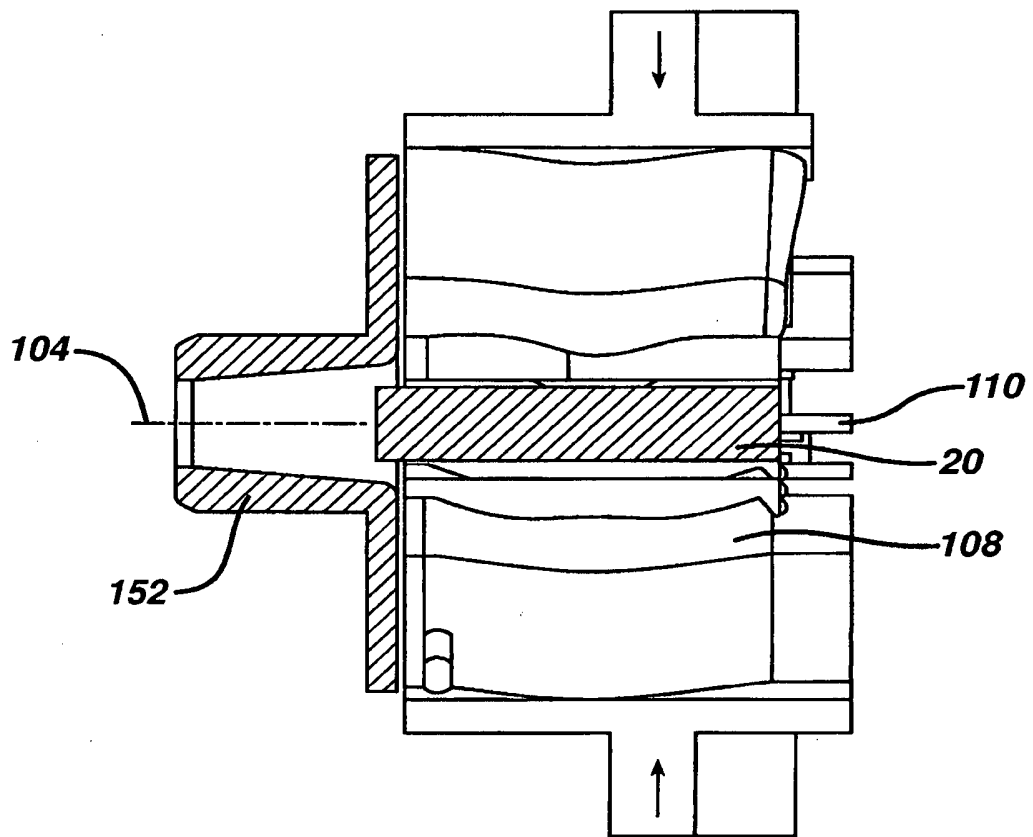
**FIG. 13**



**FIG. 14**

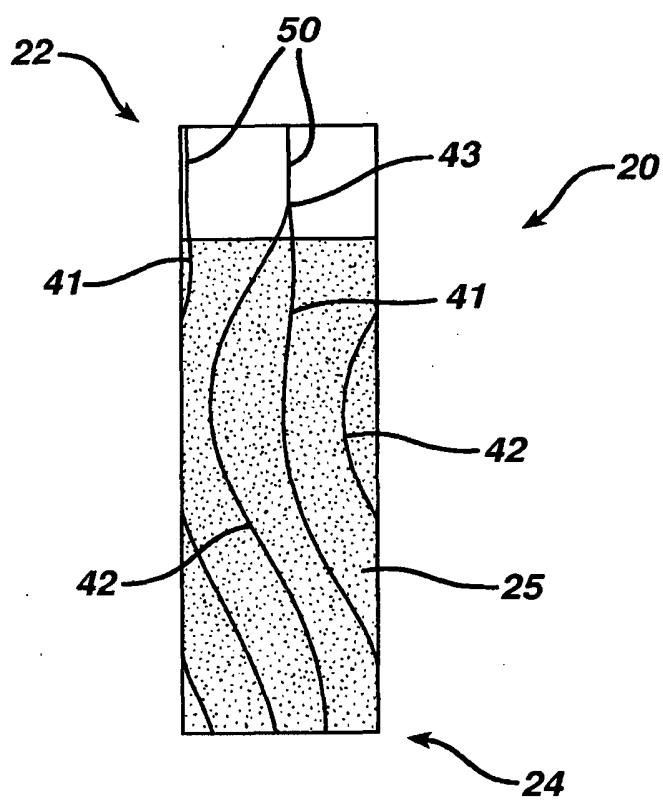


**FIG. 15**

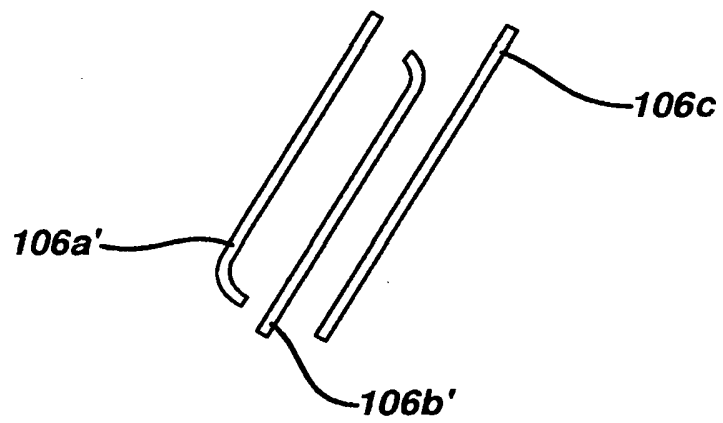




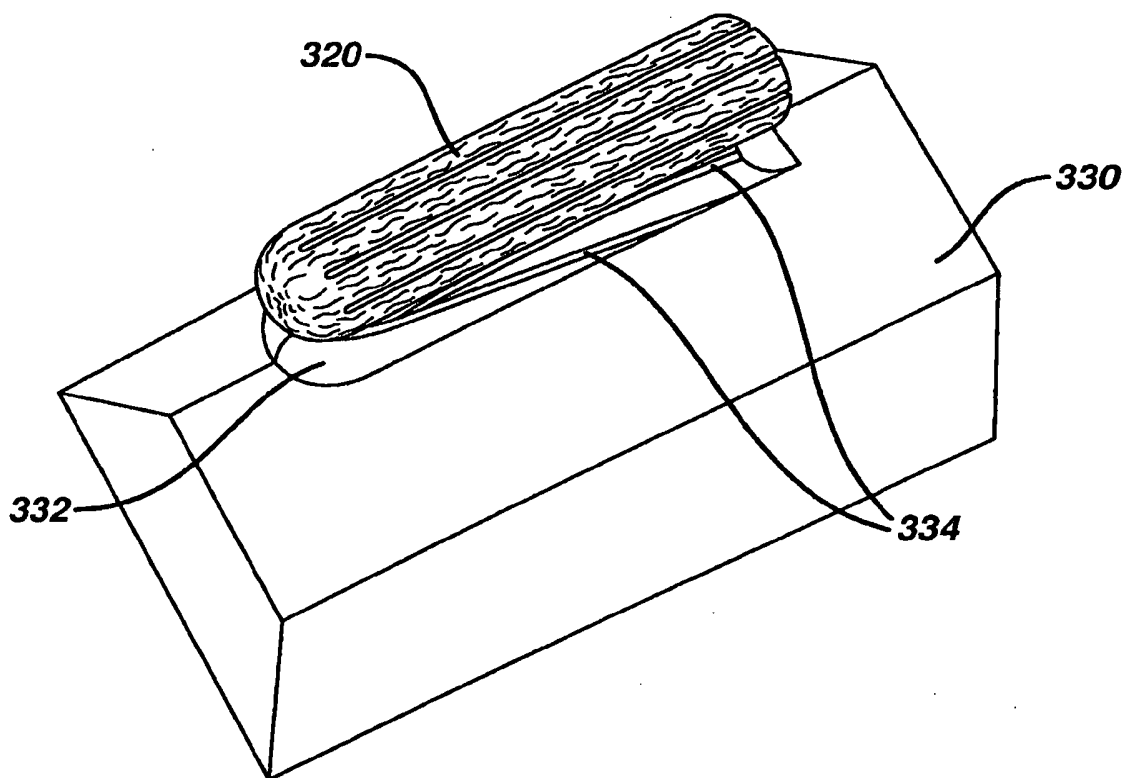
**FIG. 16**



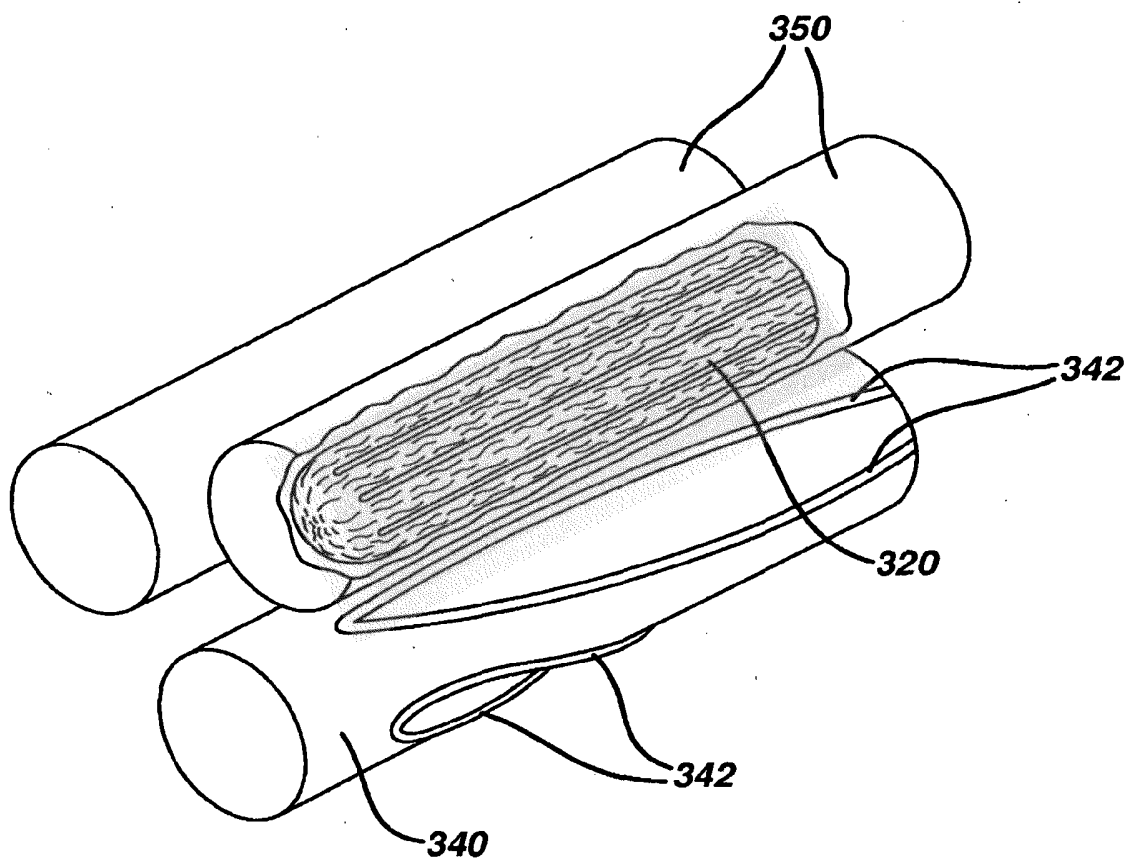
**FIG. 17**



**FIG. 18**



**FIG. 19**



## EP 2 712 594 B1

### REFERENCES CITED IN THE DESCRIPTION

*This list of references cited by the applicant is for the reader's convenience only. It does not form part of the European patent document. Even though great care has been taken in compiling the references, errors or omissions cannot be excluded and the EPO disclaims all liability in this regard.*

#### Patent documents cited in the description

- EP 0422660 B2, Friese **[0006]**
- US 20020151859 A1, Schoelling **[0007] [0056]**
- EP 1547555 B1, Van Ingelgem **[0008]**
- EP 1459720 B1, Schmidt **[0009]**
- WO 2009129910 A1, Ruhlmann **[0010] [0019]**
- US 20110092940 A1 **[0011]**
- US 5458835 A, Wilkes **[0038]**
- US 4816100 A, Friese **[0039] [0056]**
- US 7845055 B, Kimball **[0043]**
- US 5813102 A, Leutwyler **[0056]**
- US 5909884 A, Schwankhardt **[0056]**

*TAMPON KITERJESZTETT BARÁZDÁKKAL*

*Szabadalmi igénypontok*

- 5 1. Intravaginális tampon női higiénia célra, amely tartalmaz
- a) többnyire henger alakú, hosszúsággal, hossz tengellyel, felhelyezővéggel és eltávolítóvéggel rendelkező abszorbens gézcsomót, amely tartalmaz
- i) öntartó alakba préselt száltömeget, valamint
- ii) egy a száltömeget lényegében körülvevő, lapszerű, folyadékáteresztő borítást;
- 10 b) egy a többnyire henger alakú gézcsomóval annak eltávolítóvége közelében együttműködően csatlakoztatott eltávolítóelemet;
- ahol (1) az abszorbens gézcsomó elválasztott barázdákat tartalmaz, (2) az elválasztott barázdák közül legalább kettőnek
- (i) a barázda mentén mért hossza a gézcsomó hosszának legalább 150%-a;
- 15 (ii) többnyire hosszanti orientációjú fő tengelye van; és
- (iii) a felhelyezővég és az eltávolítóvég legalább egyike közelében forduló van.
2. Az 1. igénypont szerinti tampon, ahol a barázdák fordulója a gézcsomó felhelyezővége közelében helyezkedik el.
3. Az 1. igénypont szerinti tampon, ahol a barázdák fordulója a gézcsomó eltávolítóvége közelében helyezkedik el.
- 20 4. Az 1. igénypont szerinti tampon, ahol legalább egy barázdának a gézcsomó eltávolítóvége és felhelyezővége közelében egyaránt van fordulója egy az ilyen barázda által határolt elkülönülő felülettartomány képzéséhez.
5. Az előző igénypontok bármelyike szerinti tampon, ahol legalább egy barázda három barázdaszegmensen rendelkezik, ahol
- 25 i) többnyire mindegyik barázdaszegmens hosszanti orientációjú;
- ii) egy az N-alak és a fordított N-alak alkotta csoportból választott általános alakkal rendelkező elkülönülő barázda kialakításához első barázdaszegmens a gézcsomó felhelyezővége közelében második barázdarészhez kapcsolódik, továbbá harmadik barázdaszegmens a gézcsomó eltávolítóvége közelében második barázdarészhez kapcsolódik.
- 30 6. Az előző igénypontok bármelyike szerinti tampon, ahol a gézcsomó két barázda között elhelyezett legalább egy további barázdát tartalmaz.
7. A 6. igénypont szerinti tampon, ahol a legalább egy további barázdának lényegében hosszanti orientációja van.
8. Az előző igénypontok bármelyike szerinti tampon, amely applikátorban van tárolva.
- 35 9. Az előző igénypontok bármelyike szerinti tampon, ahol a barázda legalább a sugár 10%-án a gézcsomóba nyúlik.

10. Az előző igénypontok bármelyike szerinti tampon, amely préseit tamponnak belső felületén legalább egy sekély elválasztott barázda kialakítására alkalmas kiemelkedő elemekkel ellátott szerszámban történő alakozásával van kialakítva.

5 II. Az 1-9. igénypontok bármelyike szerinti tampon, amely préseit tamponnak legalább egy ellenhenger és egy kívánt elválasztott barázdának megfelelő dombormintával ellátott kalanderező henger közötti részben történő kalanderezésével van kialakítva.