



US00D936770S

(12) **United States Design Patent** (10) **Patent No.:** **US D936,770 S**
Cameron (45) **Date of Patent:** **** Nov. 23, 2021**

(54) **PUTTER GOLF CLUB HEAD**
(71) Applicant: **Acushnet Company**, Fairhaven, MA (US)
(72) Inventor: **Don T. Cameron**, Carlsbad, CA (US)
(73) Assignee: **Acushnet Company**, Fairhaven, MA (US)
(**) Term: **15 Years**
(21) Appl. No.: **29/733,659**

D867,495	S	*	11/2019	Cameron	D21/736
D873,358	S	*	1/2020	Lee	D21/744
D892,954	S	*	8/2020	Clarke	D21/736
D892,955	S	*	8/2020	Clarke	D21/744
D892,956	S	*	8/2020	Clarke	D21/744
D893,645	S	*	8/2020	Serrano	D21/743
D895,748	S	*	9/2020	Rollinson	D21/743
D898,846	S	*	10/2020	Clarke	D21/743
D898,847	S	*	10/2020	Clarke	D21/743
D906,453	S	*	12/2020	Agrella	D21/743
D909,508	S	*	2/2021	Rollinson	D21/743
D910,789	S	*	2/2021	Schweigert	D21/736
10,905,928	B2	*	2/2021	Sheldon	A63B 53/0487
D912,174	S	*	3/2021	Toulon	D21/743
D921,140	S	*	6/2021	Serrano	D21/736
D925,673	S	*	7/2021	Parsons	D21/736

* cited by examiner

Primary Examiner — Mitchell I. Siegel
(74) *Attorney, Agent, or Firm* — Randy K. Chang

(22) Filed: **May 5, 2020**
(51) **LOC (13) Cl.** **21-02**
(52) **U.S. Cl.**
USPC **D21/744**
(58) **Field of Classification Search**
USPC D21/736–746, 759
CPC A63B 53/00; A63B 53/04; A63B 53/007;
A63B 53/065; A63B 53/0487; A63B
60/00; A63B 60/46
See application file for complete search history.

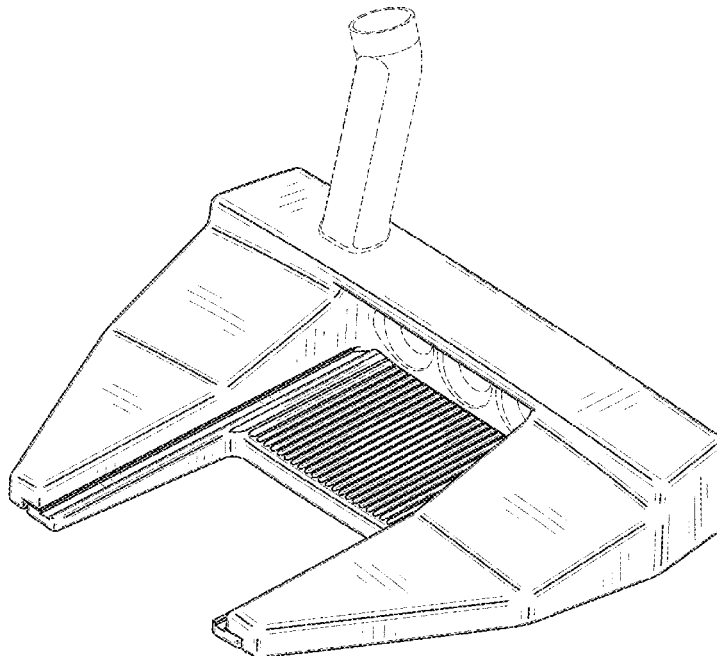
(57) **CLAIM**
The ornamental design for putter golf club head, as shown and described.

(56) **References Cited**
U.S. PATENT DOCUMENTS
D691,226 S * 10/2013 Hilton D21/746
D728,715 S * 5/2015 Cameron D21/736
D730,464 S * 5/2015 Cameron D21/743
D796,603 S * 9/2017 Serrano D21/744
D799,617 S * 10/2017 Becktor D21/742
D807,453 S * 1/2018 Serrano D21/743
D815,222 S * 4/2018 Serrano D21/743
D815,703 S * 4/2018 Schweigert D21/736
D832,381 S * 10/2018 Serrano D21/743
D844,722 S * 4/2019 Wang D21/736
D852,911 S * 7/2019 Wang D21/744

DESCRIPTION

FIG. 1 is a top perspective view of a putter golf club head showing my new design;
FIG. 2 is a top plan view thereof;
FIG. 3 is a bottom plan view thereof;
FIG. 4 is a rear elevational view thereof;
FIG. 5 is a front elevation view thereof;
FIG. 6 is a heel end view thereof; and,
FIG. 7 is a toe end view thereof.
The broken lines shown on the drawings form no part of the claimed design.

1 Claim, 4 Drawing Sheets



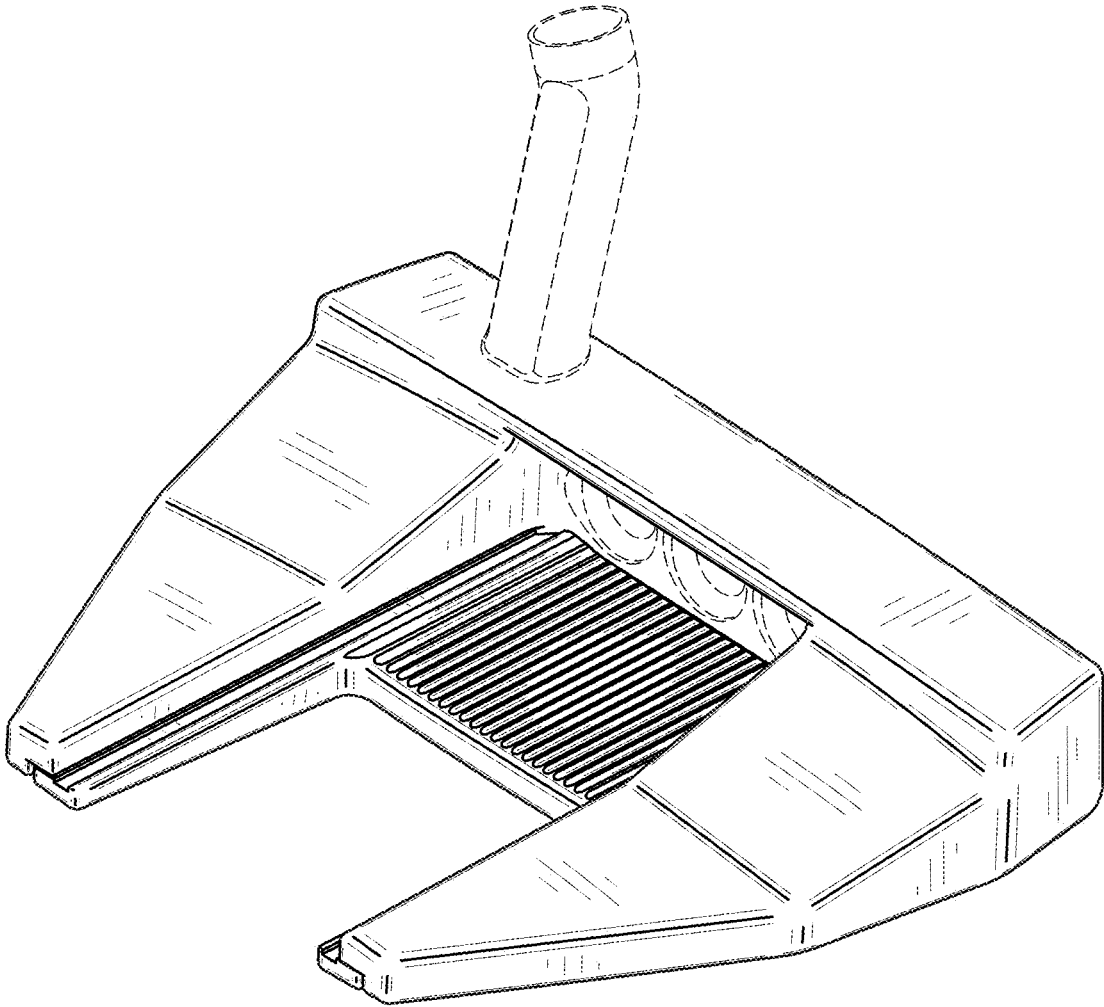


FIG. 1

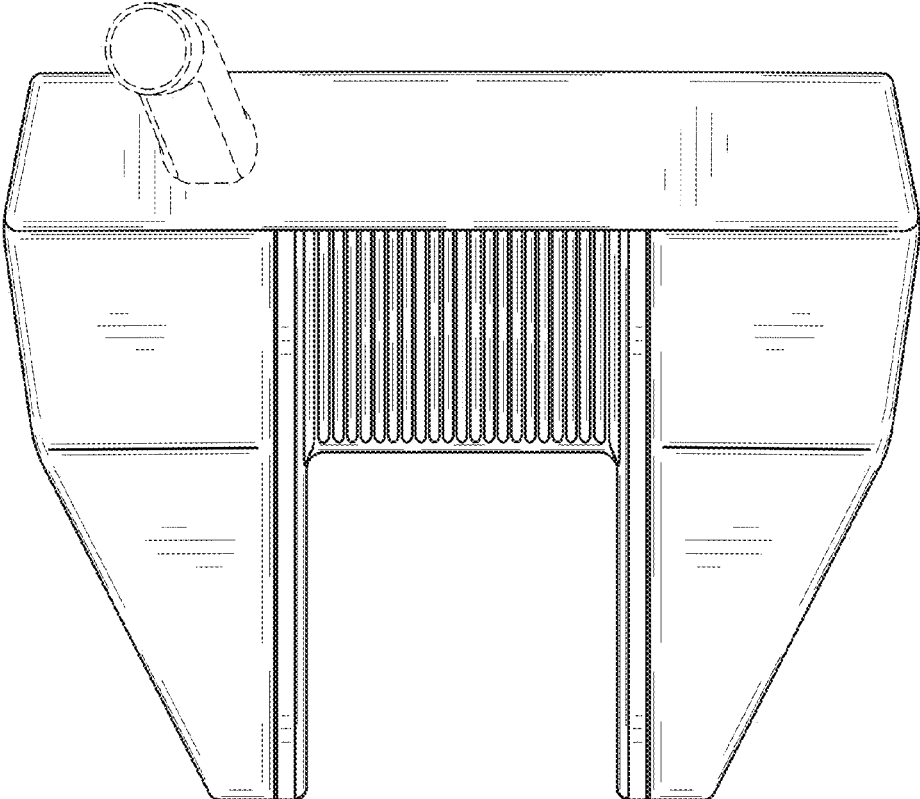


FIG. 2

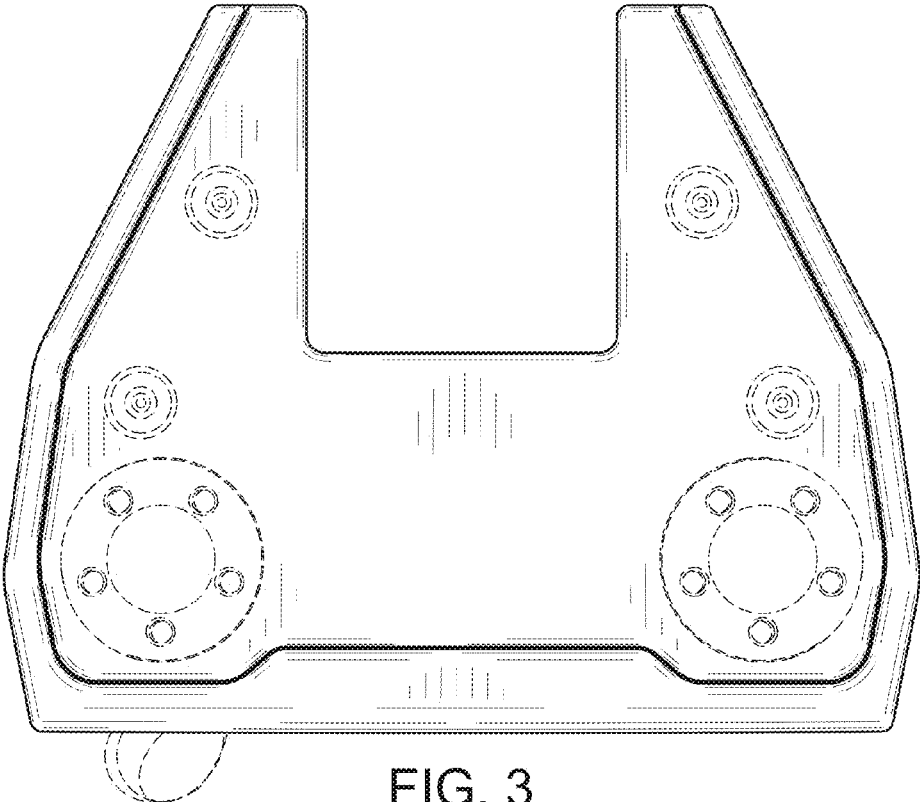


FIG. 3

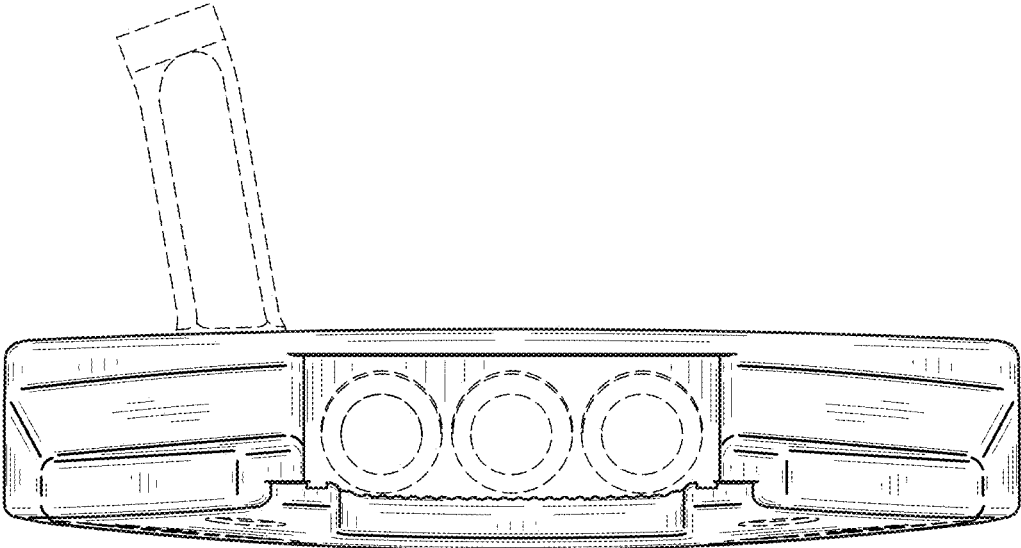


FIG. 4

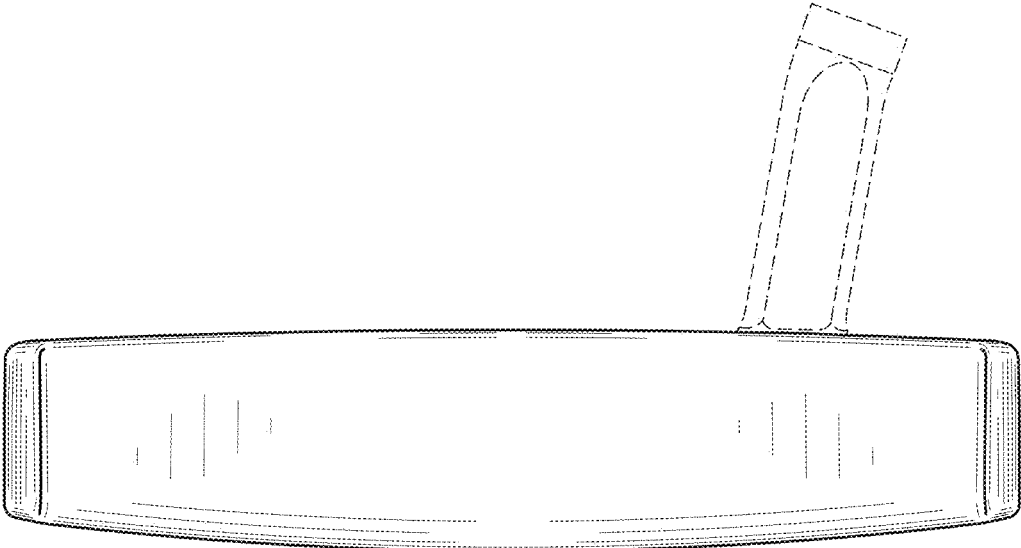


FIG. 5

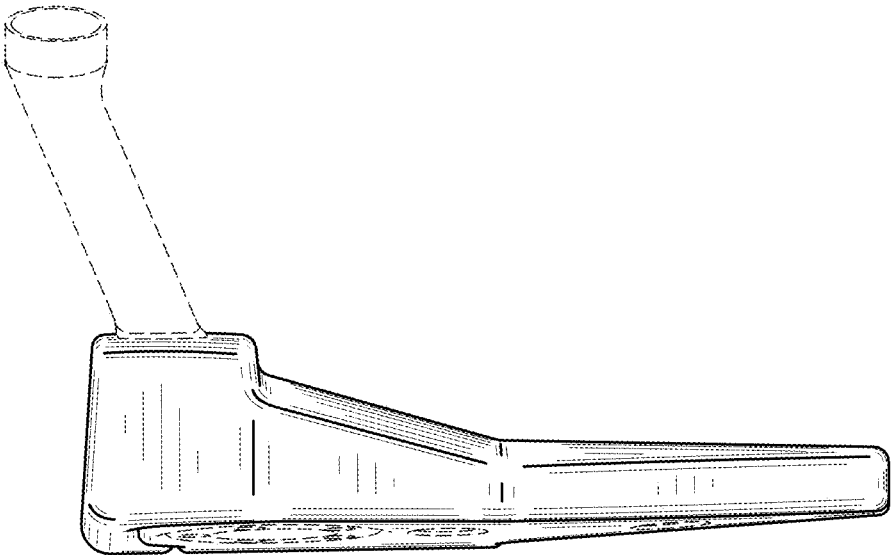


FIG. 6

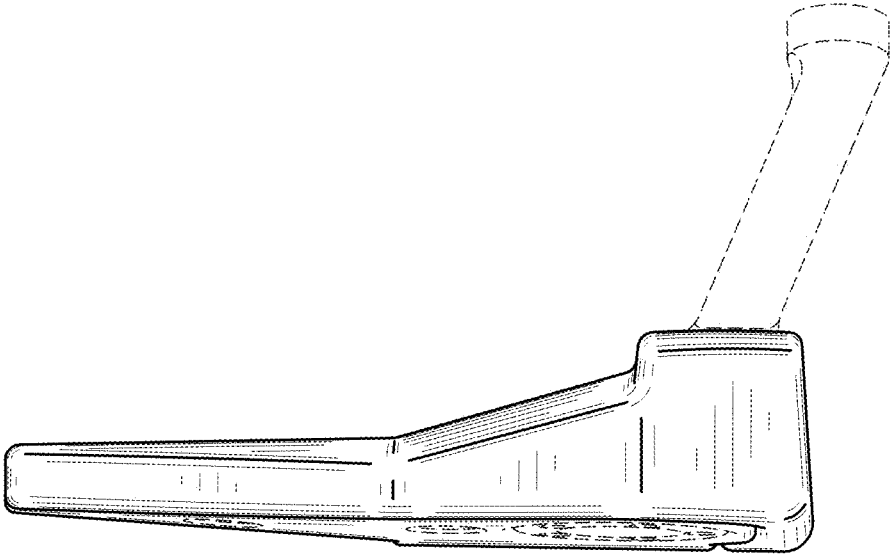


FIG. 7