

(21) Application No: **0526353.8**
(22) Date of Filing: **24.05.2004**
(30) Priority Data:
(31) **10603946** (32) **25.06.2003** (33) **US**
(86) International Application Data:
PCT/US2004/016142 En 24.05.2004
(87) International Publication Data:
WO2005/006390 En 20.01.2005

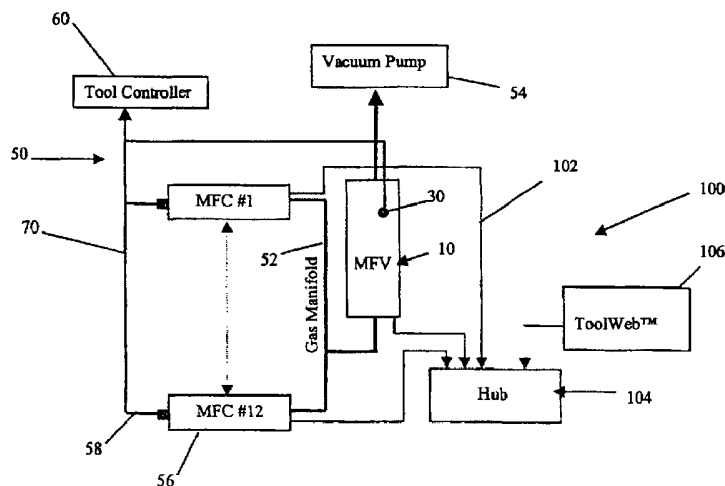
(51) INT CL:
G01F 25/00 (2006.01)
(52) UK CL (Edition X):
G1R RBC RV
G1N NAHK NAJB N7B1
(56) Documents Cited by ISA:
US 4331262 A **US 4328697 A**
(58) Field of Search by ISA:
INT CL **G01F**
Other:

(71) Applicant(s):
MKS Instruments Inc
(Incorporated in USA - Massachusetts)
90 Industrial Way, Wilmington, MA 01887,
United States of America
(72) Inventor(s):
Kaveh Zarkar
Michael F L'Bassi
Mark J Quaratiello

(continued on next page)

(54) Abstract Title: **System and method for in-situ flow verification and calibration**

(57) A system and method for in-situ verification and calibration of flow control devices includes a first network physical layer connecting the flow control devices to a flow verification device. A controller of the flow verification device is programmed to communicate with each of the flow control devices through the first network physical layer, receive gas specific information and a transfer function from each of the flow control devices, and verify the flow of each flow control device. The controller of the flow verification device is further programmed to communicate with each of the flow control devices through the first network physical layer and, if necessary, calibrate the flow control devices. The verification and calibration of the flow control devices is preferably carried out based upon a single command provided through a tool controller connected to a second network physical layer connected to the flow control devices.



GB 2418260 A continuation

(74) Agent and/or Address for Service:
McDermott Will & Emery UK LLP
7 Bishopsgate, LONDON, EC2N 3AR,
United Kingdom