



US00D755720S

(12) **United States Design Patent**  
**Dobler**

(10) **Patent No.:** **US D755,720 S**

(45) **Date of Patent:** **\*\* May 10, 2016**

(54) **CONNECTOR**

(71) Applicant: **NEUTRIK AG**, Schaan (LI)

(72) Inventor: **Oliver Dobler**, Eschen (LI)

(73) Assignee: **Neutrik AG**, Schaan (LI)

(\*\*) Term: **14 Years**

(21) Appl. No.: **29/487,575**

(22) Filed: **Apr. 10, 2014**

(30) **Foreign Application Priority Data**

Oct. 14, 2013	(EP)	001 386 684-0001
Oct. 14, 2013	(EP)	001 386 684-0002
Oct. 14, 2013	(EP)	001 386 684-0003
Oct. 14, 2013	(EP)	001 386 684-0004
Oct. 14, 2013	(EP)	001 386 684-0005
Oct. 14, 2013	(EP)	001 386 684-0006
Oct. 14, 2013	(EP)	001 386 684-0007
Oct. 14, 2013	(EP)	001 386 684-0008
Oct. 14, 2013	(EP)	001 386 684-0009
Oct. 14, 2013	(EP)	001 386 684-0010
Oct. 14, 2013	(EP)	001 386 684-0011
Oct. 14, 2013	(EP)	001 386 684-0012
Oct. 14, 2013	(EP)	001 386 684-0013
Oct. 14, 2013	(EP)	001 386 684-0014
Oct. 14, 2013	(EP)	001 386 684-0015

(51) **LOC (10) Cl.** ..... **13-03**

(52) **U.S. Cl.**  
USPC ..... **D13/133**

(58) **Field of Classification Search**  
USPC ..... D13/110, 112, 118, 123, 133, 146, 147,  
D13/154, 173, 184, 199  
CPC ..... H01R 13/17; H01R 13/64; H01R 25/00;  
H01R 13/641; H01R 13/642; H01R 33/88;  
H01R 31/00; H01R 25/006; H01R 13/72;  
H01R 13/53; H01R 24/60; H01R 12/70  
See application file for complete search history.

(56) **References Cited**

U.S. PATENT DOCUMENTS

5,660,558 A	8/1997	Osanai et al.	
D490,779 S *	6/2004	Lee	D13/133

(Continued)

FOREIGN PATENT DOCUMENTS

CN	3269753	12/2002
CN	3274166	1/2003

(Continued)

OTHER PUBLICATIONS

German Search Report of DE Priority Application 10 2013 008 264.1.

(Continued)

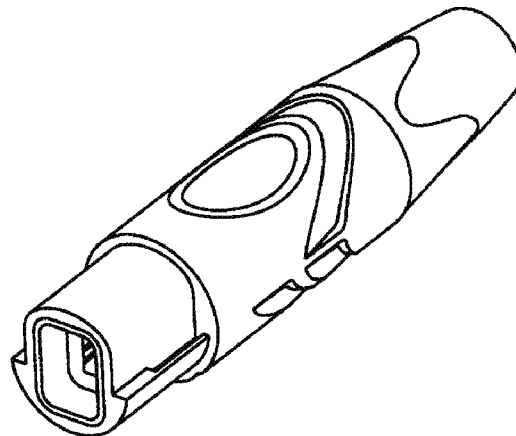
*Primary Examiner* — Daniel Bui  
*Assistant Examiner* — Shawn T Gingrich  
(74) *Attorney, Agent, or Firm* — Harris Beach PLLC; Neal L. Slifkin

(57) **CLAIM**  
The ornamental design for a connector, as shown and described.

**DESCRIPTION**

FIG. 1 is a perspective view of a connector showing my design;  
FIG. 2 is a left side elevation view thereof;  
FIG. 3 is rear elevation view thereof;  
FIG. 4 is front elevation view thereof;  
FIG. 5 is a top plan view thereof;  
FIG. 6 is a right side elevation view thereof; and,  
FIG. 7 is a bottom plan view thereof.  
The broken line portions of the figures are included to show unclaimed subject matter only and form no part of the claimed design.

**1 Claim, 2 Drawing Sheets**



(56)

References Cited

U.S. PATENT DOCUMENTS

D506,184 S \* 6/2005 Sirichai ..... D13/154  
 D510,071 S \* 9/2005 D'Addario ..... D13/154  
 D512,378 S \* 12/2005 Dobler ..... D13/146  
 6,997,733 B2 2/2006 Peng  
 D517,497 S \* 3/2006 Lee ..... D13/154  
 D524,738 S \* 7/2006 Dobler ..... D13/133  
 D543,154 S \* 5/2007 Suckle ..... D13/154  
 D569,810 S \* 5/2008 Victor ..... D13/133  
 D587,204 S \* 2/2009 Bachmann ..... D13/133  
 7,699,640 B2 4/2010 Brekosky et al.  
 D645,022 S \* 9/2011 Lee ..... D13/154  
 D673,500 S \* 1/2013 Feige ..... D13/133  
 D706,117 S \* 6/2014 Toimil ..... D13/154  
 2006/0172578 A1 8/2006 Parsons  
 2007/0049099 A1 3/2007 Potters  
 2009/0186503 A1\* 7/2009 Dobler ..... H01R 27/00  
 439/172  
 2009/0215302 A1 8/2009 Roberts  
 2013/0273767 A1 10/2013 Phan et al.  
 2013/0288510 A1 10/2013 Svelnis et al.

FOREIGN PATENT DOCUMENTS

CN 3275196 1/2003  
 DE 102009007298 B3 9/2010  
 EM 000 152 970-0002 6/2004  
 EM 000 152 970-0003 6/2004  
 EM 000 152 970-0004 6/2004  
 EM 000 152 970-0006 6/2004  
 EM 000 445 218-0001 2/2006  
 EM 000 445 218-0002 2/2006  
 EM 000 445 218-0003 2/2006  
 EM 000 649025-0001 3/2007  
 EM 000 741 152-0001 7/2007  
 EM 001 229 827-0001 8/2010  
 EM 001 229 827-0002 8/2010  
 EM 001 229 827-0003 8/2010  
 EM 001 229 827-0004 8/2010  
 EM 001 229 827-0005 8/2010  
 EM 001 229 827-0006 8/2010  
 EM 001 229 827-0007 8/2010

EM 001 229 827-0009 8/2010  
 EM 001 229 827-0010 8/2010  
 EM 001 229 827-0011 8/2010  
 EM 001 229 827-0012 8/2010  
 EM 001 229 827-6008 8/2010  
 EM 001 371 843-0001 5/2013  
 EM 001 371 843-0002 5/2013  
 EM 001 371 843-0003 5/2013  
 EM 001 371 843-0004 5/2013  
 EM 001 371 843-0005 5/2013  
 EM 001 371 843-0006 5/2013  
 EM 001 371 843-0007 5/2013  
 EM 001 371 843-0008 5/2013  
 EM 001 371 843-0009 5/2013  
 EM 001 371 843-0010 5/2013  
 EP 0 161 835 A2 11/1985  
 EP 0 757 411 A2 2/1997  
 EP 1 172 897 A2 1/2002  
 EP 0 898 333 B1 2/2002  
 EP 1 172 897 A3 3/2003  
 EP 1 317 025 A2 6/2003  
 EP 1 416 588 A1 5/2004  
 GB 2 071 928 A 9/1981  
 JP H01-29985 9/1989  
 JP 05-144512 A1 6/1993  
 JP 2000-164296 6/2000  
 JP 2012-243 565 12/2012  
 WO 2004105197 A1 12/2004  
 WO 2005046007 A1 5/2005  
 WO 2012083939 A2 6/2012  
 WO 2014075751 A1 5/2014  
 WO 2014183821 A1 11/2014

OTHER PUBLICATIONS

EM Trademark Registration 009 351 297, Mar. 29, 2011.  
 EM Trademark Registration 009 351 305, Mar. 29, 2011.  
 EM Trademark Registration 003 717 303, Jul. 3, 2006.  
 EM Trademark Registration 003 717 361, Oct. 24, 2005.  
 EM Trademark Registration 002 382 786, Jul. 4, 2005.  
 Product Guide 2012/13; Published Mar. 21, 2012, Front Page and pp. 3, 7, 12, 13, 14, 15, 16, 17, 23-30, 50, 58, 64, 66-71, 79, 82, 83, 89-91, 94, 96, 98-99, 115-117, 120-122.

\* cited by examiner

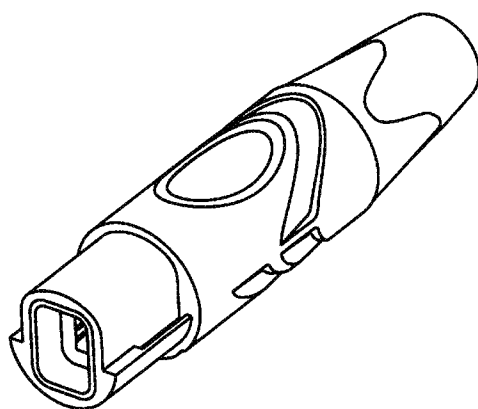


FIG. 1



FIG. 3



FIG. 2

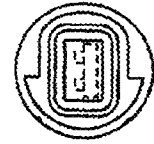


FIG. 4



FIG. 5



FIG. 6



FIG. 7