



US00D752246S

(12) **United States Design Patent**  
**Točev et al.**

(10) **Patent No.:** **US D752,246 S**

(45) **Date of Patent:** **\*\* Mar. 22, 2016**

(54) **PREFABRICATED BUILDING PART**

(71) Applicants: **Ivan Točev**, Brno (CZ); **Martin Kilián**, Praha (CZ)

(72) Inventors: **Ivan Točev**, Brno (CZ); **Martin Kilián**, Praha (CZ)

(\*\*) Term: **14 Years**

(21) Appl. No.: **29/502,300**

(22) Filed: **Sep. 14, 2014**

(30) **Foreign Application Priority Data**

Mar. 14, 2014 (EM) ..... 002425355-0001  
Mar. 14, 2014 (EM) ..... 002425355-0002  
Mar. 14, 2014 (EM) ..... 002425355-0003

(51) **LOC (10) Cl.** ..... **25-01**

(52) **U.S. Cl.**  
USPC ..... **D25/114**

(58) **Field of Classification Search**  
USPC ..... D25/113-118, 138, 152-162, 164, 199,  
D25/36; 405/16, 284, 286; 52/604, 608, 20,  
52/21; 404/41, 34, 4, 25, 26; D8/1;  
D21/484-491, 499-504  
CPC ..... E04C 1/00; E04C 1/395; E04B 1/02;  
E02D 29/14  
See application file for complete search history.

(56) **References Cited**

U.S. PATENT DOCUMENTS

D246,384 S \* 11/1977 Brown ..... D25/36  
4,318,642 A \* 3/1982 Barnett ..... 405/284  
D351,031 S \* 9/1994 Crawford et al. .... D25/117  
D428,159 S \* 7/2000 McCoy et al. .... D25/102

D429,531 S \* 8/2000 VonDross ..... D25/114  
6,105,330 A \* 8/2000 Nanayakkara ..... 52/606  
D441,464 S \* 5/2001 Pribyl ..... D25/118  
D461,567 S \* 8/2002 Ogawa ..... D25/118  
D539,918 S \* 4/2007 Denmon ..... D25/36  
D540,476 S \* 4/2007 Price ..... D25/113  
D570,492 S \* 6/2008 Denmon ..... D25/35  
D574,517 S \* 8/2008 Foster ..... D25/113  
D593,221 S \* 5/2009 Lacas ..... D25/164  
D633,630 S \* 3/2011 Jacot et al. .... D25/118  
D673,304 S \* 12/2012 D'Avella ..... D25/114  
D686,756 S \* 7/2013 Nanayakkara ..... D25/113  
2003/0121216 A1 \* 7/2003 Nale ..... E02D 29/12  
52/20

\* cited by examiner

*Primary Examiner* — Anhdao Doan

(74) *Attorney, Agent, or Firm* — Franklin & Associates International Inc; Matthew F. Lambrinos

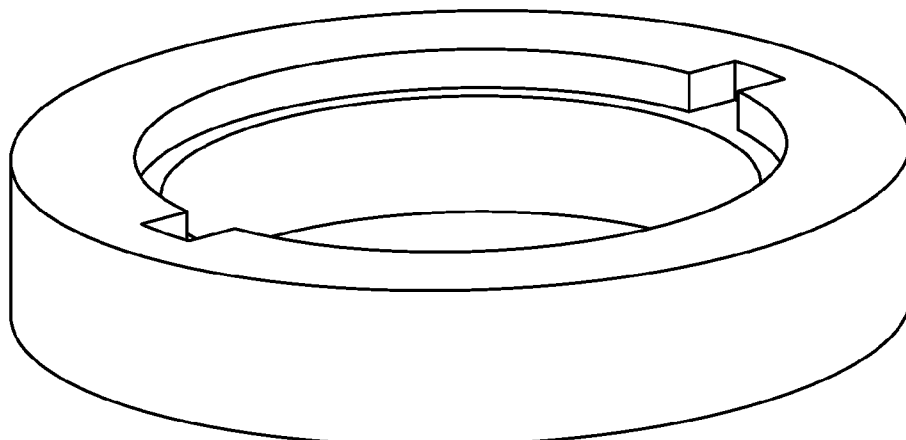
(57) **CLAIM**

The ornamental design for a prefabricated building part, as shown and described.

**DESCRIPTION**

FIG. 1 is a top perspective view of a first embodiment of a prefabricated building part showing our new design; FIG. 2 is a bottom perspective view thereof; FIG. 3 is a top plan view thereof; FIG. 4 is a top perspective view of a second embodiment of a prefabricated building part showing our new design; FIG. 5 is front view thereof, the left, right and rear views being mirror images of the front view; FIG. 6 is a top plan view thereof; FIG. 7 is bottom plan view thereof; FIG. 8 is an enlarged bottom perspective view thereof; and, FIG. 9 is an enlarged top perspective view thereof.

**1 Claim, 6 Drawing Sheets**



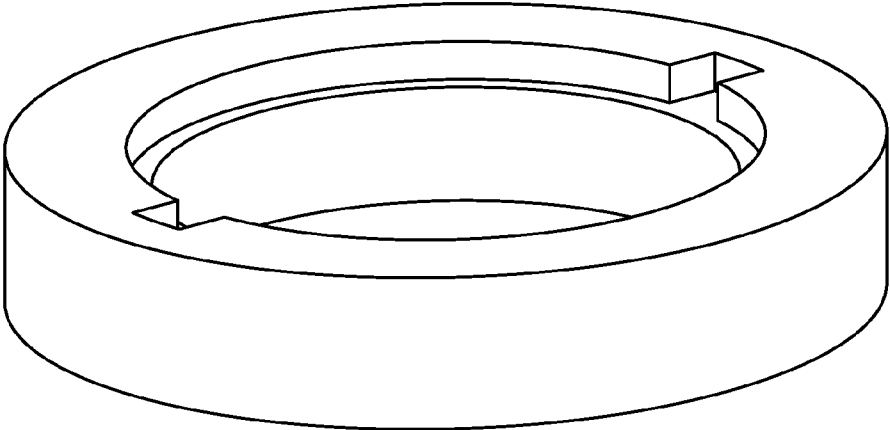


FIG. 1

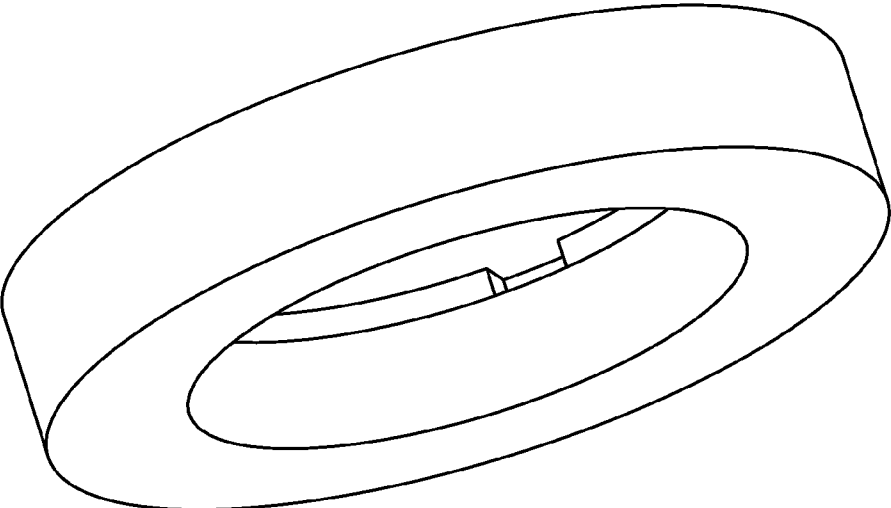


FIG. 2

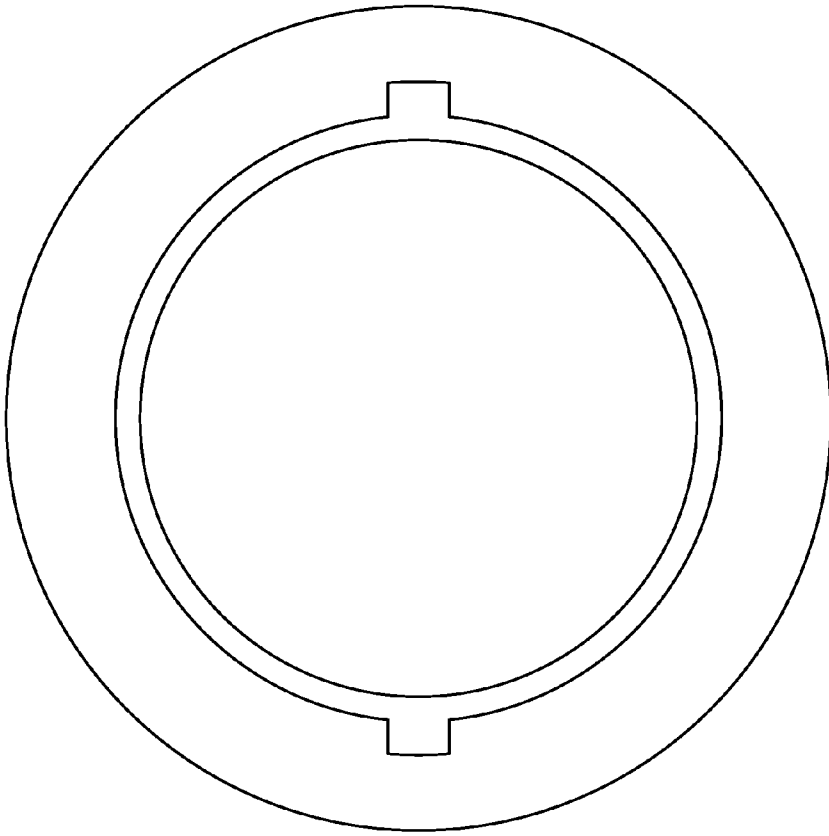


FIG. 3

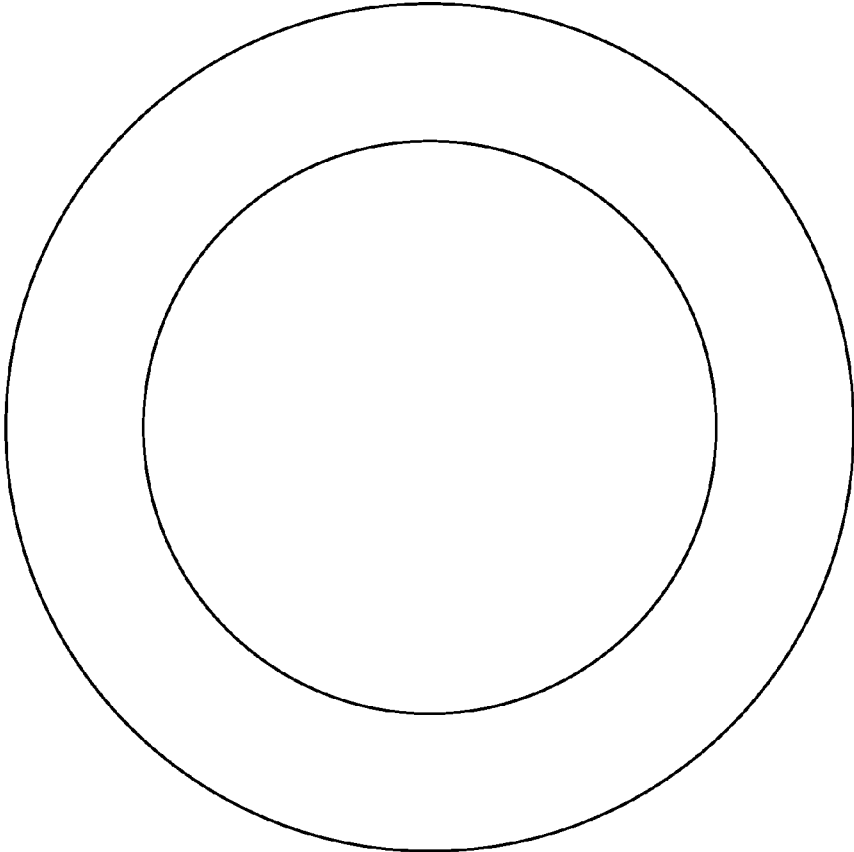


FIG. 7

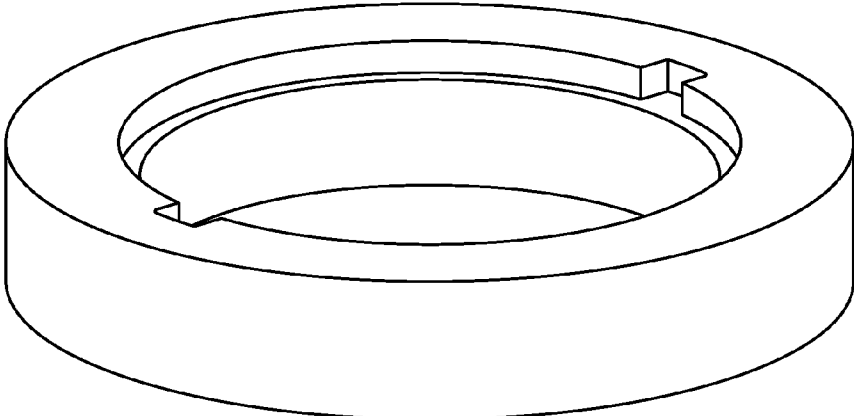


FIG. 4

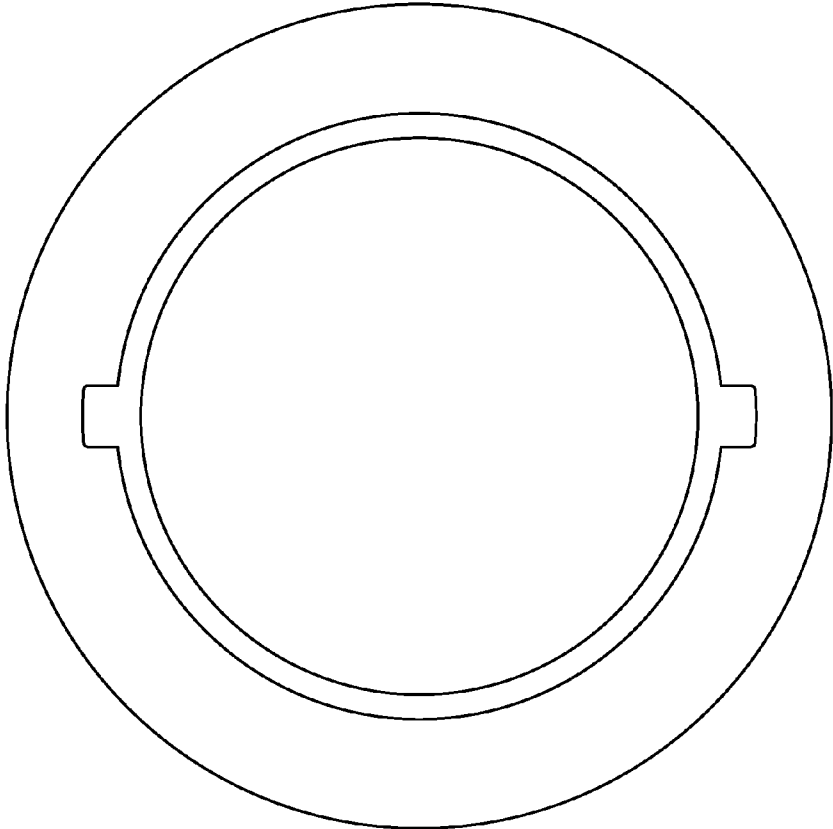


FIG. 6



FIG. 5

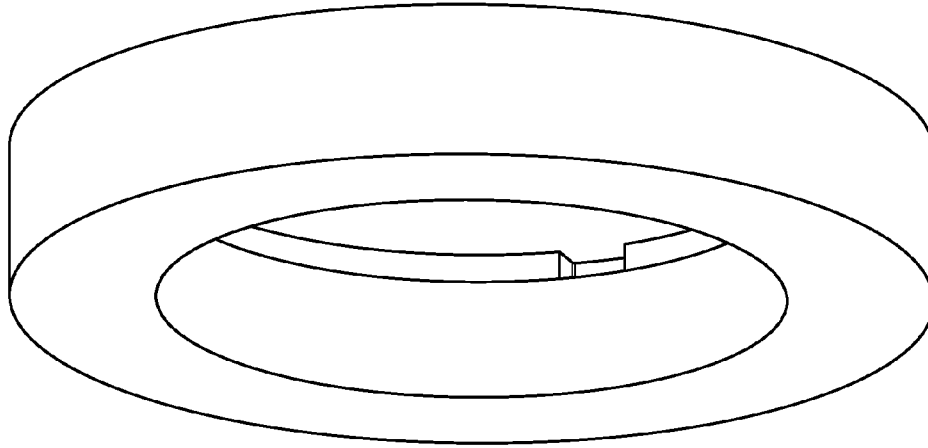


FIG. 8

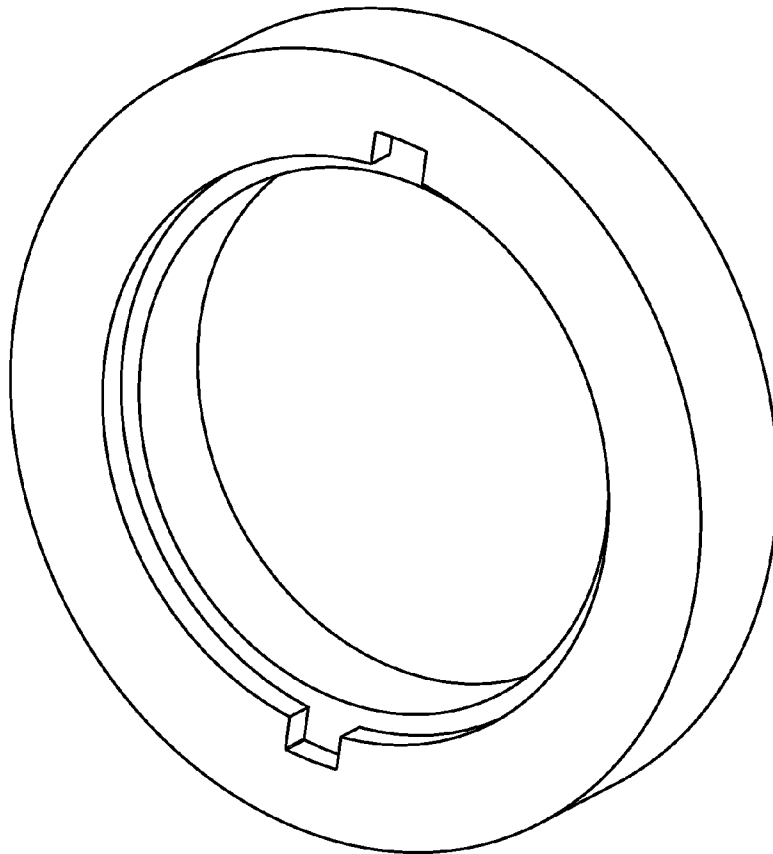


FIG. 9