

(21) Application No: **1011685.3**
(22) Date of Filing: **13.11.2008**
(30) Priority Data:
(31) **61013914** (32) **14.12.2007** (33) **US**
(86) International Application Data:
PCT/US2008/083461 En 13.11.2008
(87) International Publication Data:
WO2009/079124 En 25.06.2009

(51) INT CL:
E21B 33/02 (2006.01) **E21B 33/03** (2006.01)
(56) Documents Cited by ISA:
EP 1233145 A **US 4804045 A**
US 4782894 A **US 4317486 A**
(58) Field of Search by ISA:
INT CL **E21B**
Other: **EPO-Internal**

(71) Applicant(s):
Cameron International Corporation
1333 West Loop South, Suite 1700,
Houston 77027-0919, Texas,
United States of America

(continued on next page)

(54) Title of the Invention: **Safety device for retrieving component within wellhead**
Abstract Title: **Safety device for retrieving component within wellhead**

(57) A system is provided that include a safety device (150) configured to mount in a mineral extraction system (10) and block axial movement of a plug (102) in the mineral extraction system while the plug is released from a retainer. A method is provided that includes installing a plug safety catch into a tubular of a mineral extraction system in which the plug safety catch is configured to block axial movement of a plug in response to a pressure differential while the plug is released from a mount position.

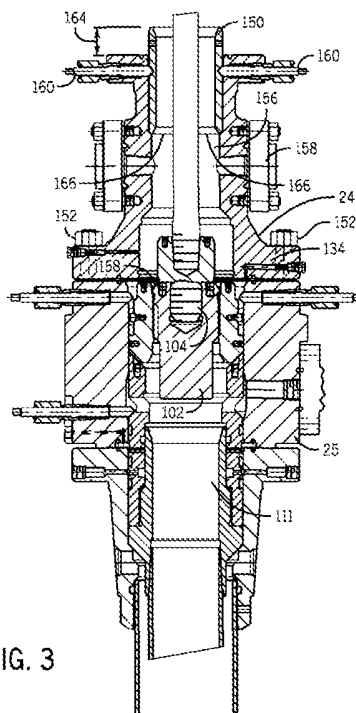


FIG. 3

GB 2468813 A continuation

(72) Inventor(s):
Randall D Harkins
Kirk P Guidry
Thomas Edgar Taylor

(74) Agent and/or Address for Service:
Noel James Akers
7 Ferris Town, Truro, Cornwall, TR1 3JG,
United Kingdom