



US00D821864S

(12) **United States Design Patent**
Block et al.

(10) **Patent No.:** **US D821,864 S**
(45) **Date of Patent:** **** Jul. 3, 2018**

(54) **SQUEEZABLE CUP FOR GELATIN-TYPE PRODUCTS**

(71) Applicant: **Shottys LLC**, Marina del Rey, CA (US)

(72) Inventors: **Joe Block**, Marina del Rey, CA (US);
Austin Rovetti, Venice, CA (US)

(73) Assignee: **Leftcoast Innovations, LLC**, Joliet, IL (US)

(**) Term: **15 Years**

(21) Appl. No.: **29/598,405**

(22) Filed: **Mar. 24, 2017**

(51) **LOC (11) Cl.** **09-03**

(52) **U.S. Cl.**
USPC **D9/416**

(58) **Field of Classification Search**
USPC D9/414-426, 428, 429, 432, 438, 439,
D9/449, 503, 500, 501, 504, 517, 518,
D9/520, 522, 536-543, 545, 546,
D9/549-552, 564, 571, 574, 575, 696,
D9/742, 767, 770, 773, 776, 777-783,
D9/901, 902, 904; D7/400, 584, 672,
D7/677, 675; 426/77, 80
CPC B65D 85/8043; B65D 85/812
See application file for complete search history.

(56) **References Cited**

U.S. PATENT DOCUMENTS

D303,215 S *	9/1989	Hoyt	D9/414
D424,768 S *	5/2000	Tsou	D32/53
D440,874 S *	4/2001	Shurtleff	D9/425
D604,157 S *	11/2009	Reiterer	D9/416
D630,504 S *	1/2011	Scott	D9/425
D643,734 S *	8/2011	Perez	D9/520
D651,508 S *	1/2012	Layfield	D9/416
D682,087 S *	5/2013	Bourguignon	D9/417
D684,048 S *	6/2013	Hodge	D9/429
D695,602 S *	12/2013	De Pra	D9/416

D695,603 S *	12/2013	De Pra	D9/416
D696,108 S *	12/2013	De Pra	D9/416
D703,035 S *	4/2014	Zanetti	D9/416
D716,648 S *	11/2014	Tan	D9/416
D720,613 S *	1/2015	Dziaba	D9/424
D728,357 S *	5/2015	Pierce, Jr.	D9/416
D730,174 S *	5/2015	O'Brien	D9/429
D732,949 S *	6/2015	Schroeder	D9/416
D733,555 S *	7/2015	Brady	D9/428

(Continued)

OTHER PUBLICATIONS

Tineye, announced Oct. 1, 2014, [online], [site visited Jan. 17, 2018]. Available from Internet, <URL: https://tineye.com/search/056738e7507f0698b1816c4ee6be81306ab78a4c/?extension_ver=chrome-1.2.0.*>

(Continued)

Primary Examiner — Barbara Fox
Assistant Examiner — Mehri F Bajjoul

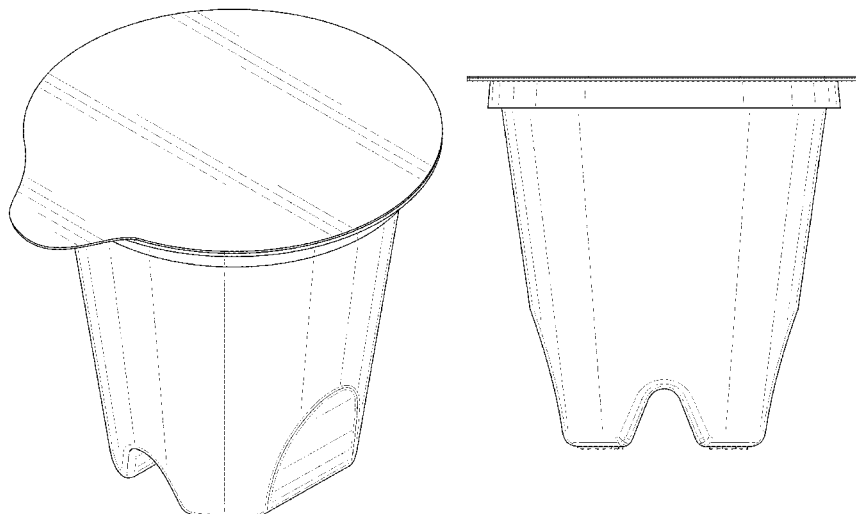
(57) **CLAIM**

The ornamental design for a squeezable cup for gelatin-type products, as shown and described.

DESCRIPTION

FIG. 1 is a top-front perspective view of a squeezable cup for gelatin-type products showing the new design; FIG. 2 is a front elevational view thereof; FIG. 3 is a rear elevational view thereof; FIG. 4 is a right elevational view thereof; FIG. 5 is a left elevational view thereof; FIG. 6 is a top plan view thereof; FIG. 7 is a bottom plan view thereof; and, FIG. 8 is an exploded perspective view of the squeezable cup for gelatin-type products of FIG. 1. The broken lines shown in the drawings depict portions of the squeezable cup for gelatin-type products that form no part of the claimed design.

1 Claim, 8 Drawing Sheets



(56)

References Cited

U.S. PATENT DOCUMENTS

D735,574	S *	8/2015	Brady	D9/428
D736,614	S *	8/2015	Rapparini	D9/416
D745,386	S *	12/2015	Covey	D9/416
D747,187	S *	1/2016	Cochran	D9/416
D756,771	S	5/2016	Covey et al.		
D764,270	S *	8/2016	Paton	D9/416
D783,357	S	4/2017	Jetton et al.		
D793,857	S *	8/2017	Rice	D9/425
2003/0008041	A1	1/2003	Budwig		
2007/0205199	A1	9/2007	Wothers		
2008/0190937	A1 *	8/2008	Cho	B65D 51/1677 220/573.1
2010/0062134	A1	3/2010	Melvin et al.		
2011/0129588	A1	6/2011	Marini		
2011/0284538	A1	11/2011	Valderrama et al.		
2012/0301590	A1	11/2012	Castillo		

OTHER PUBLICATIONS

Google, [online], [site visited Jan. 17, 2018]. Available from Internet, <URL: https://www.google.com/search?hl=en&tbm=isch&q=fresh+line+greek+gourmet+yogurt&spell=1&sa=X&ved=0ahUKEwiDvqa1id_YAhVGXXK0KHdhtDmUQvwUIPCgA&biw=1707&bih=818&dpr=1.25#imgrc=kduvekTXfVIGJM.*>
<http://ludlowscocktails.com/>.
<http://www.jottshots.com/>.
<http://www.temperancebrands.com/products/liquor-gelz/>.
<http://www.hotrabbitshots.com/>.
<http://www.jevomaker.com>.

* cited by examiner

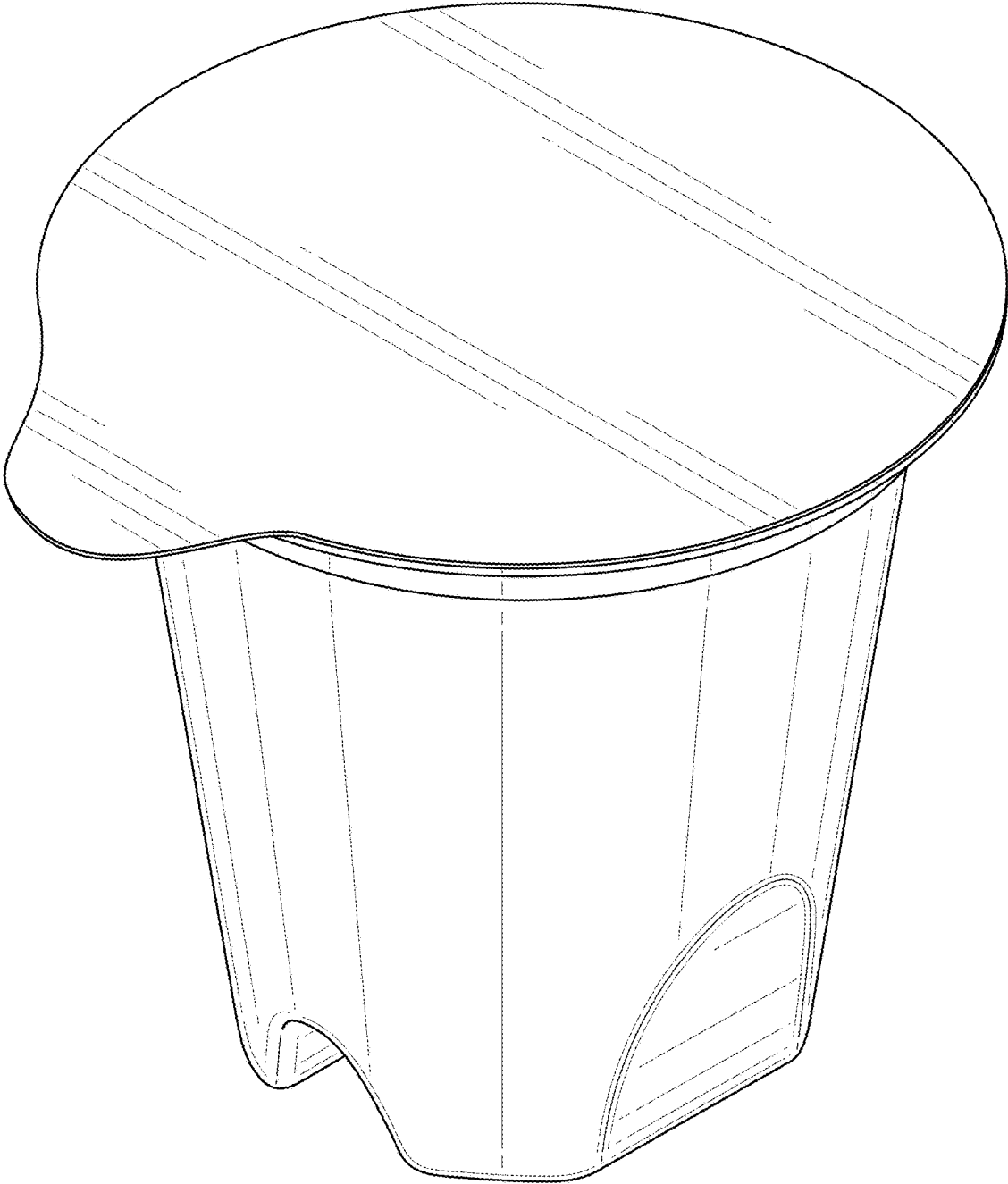


FIG. 1

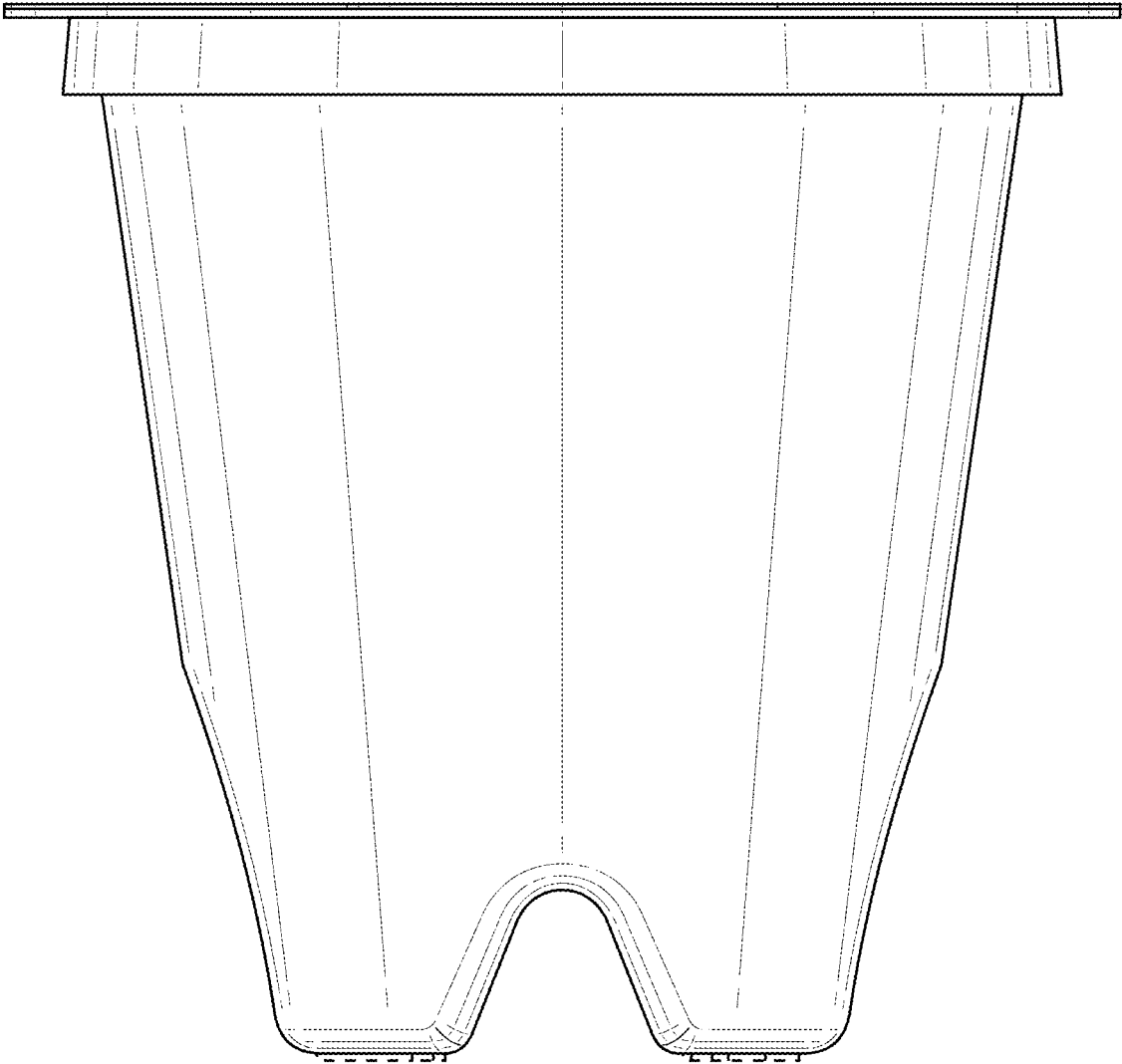


FIG. 2

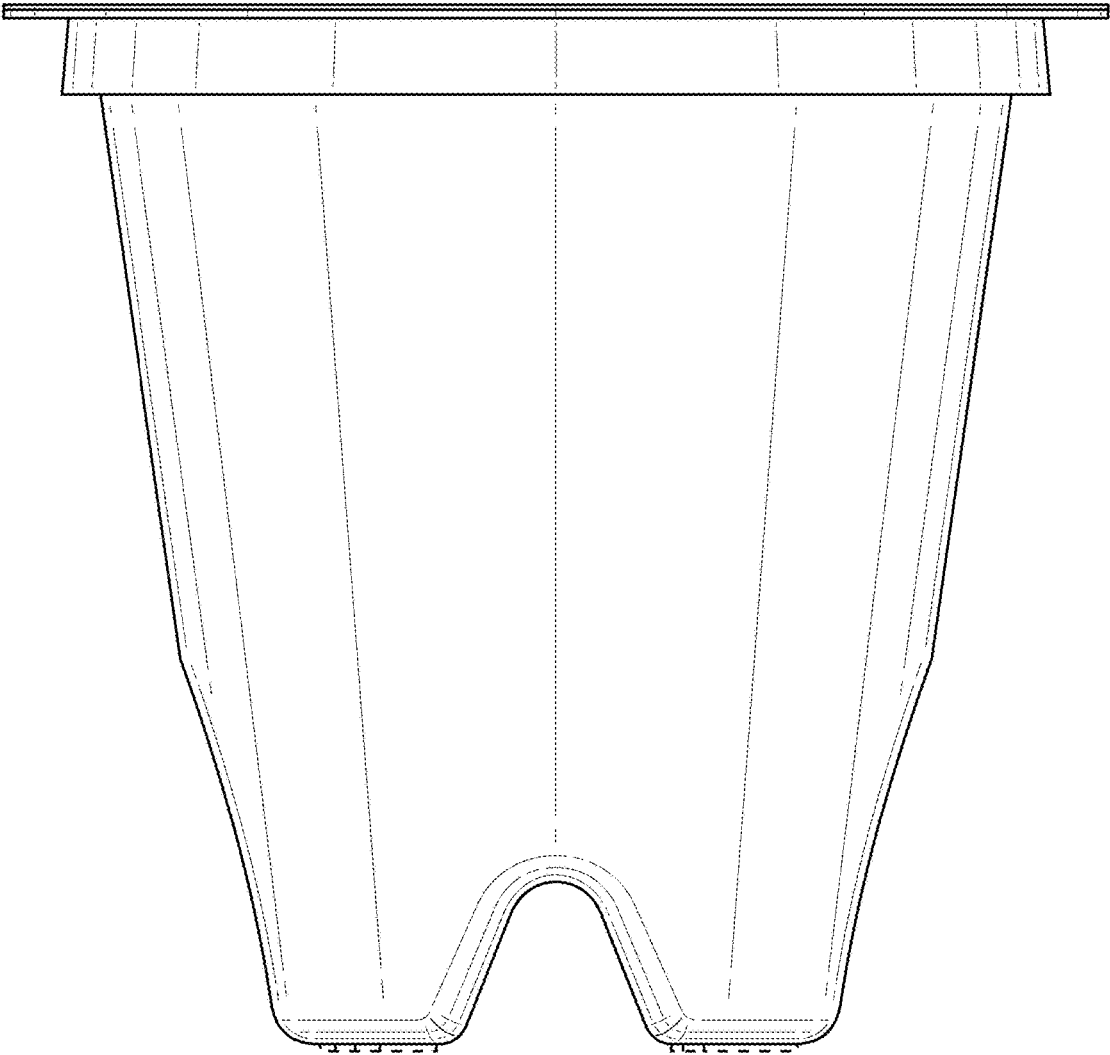


FIG. 3

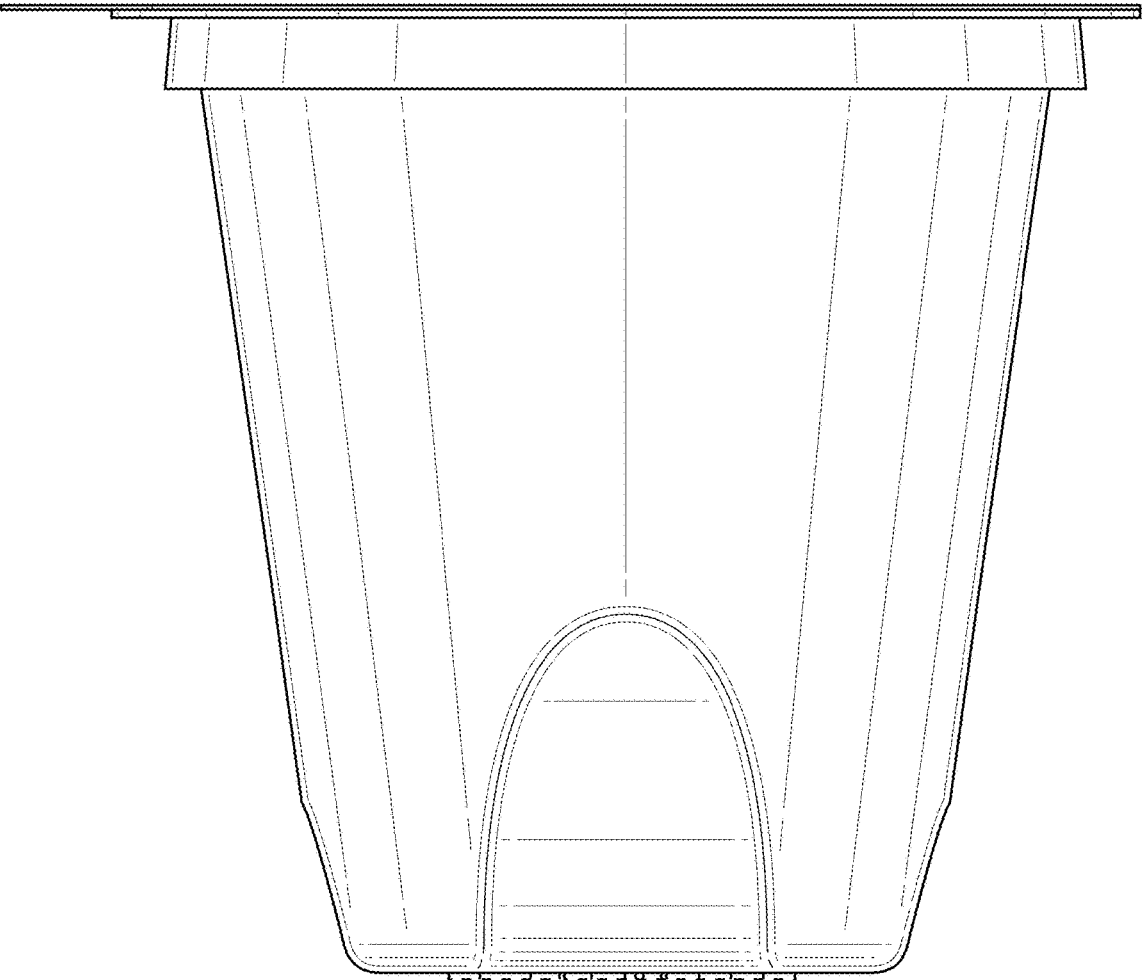


FIG. 4

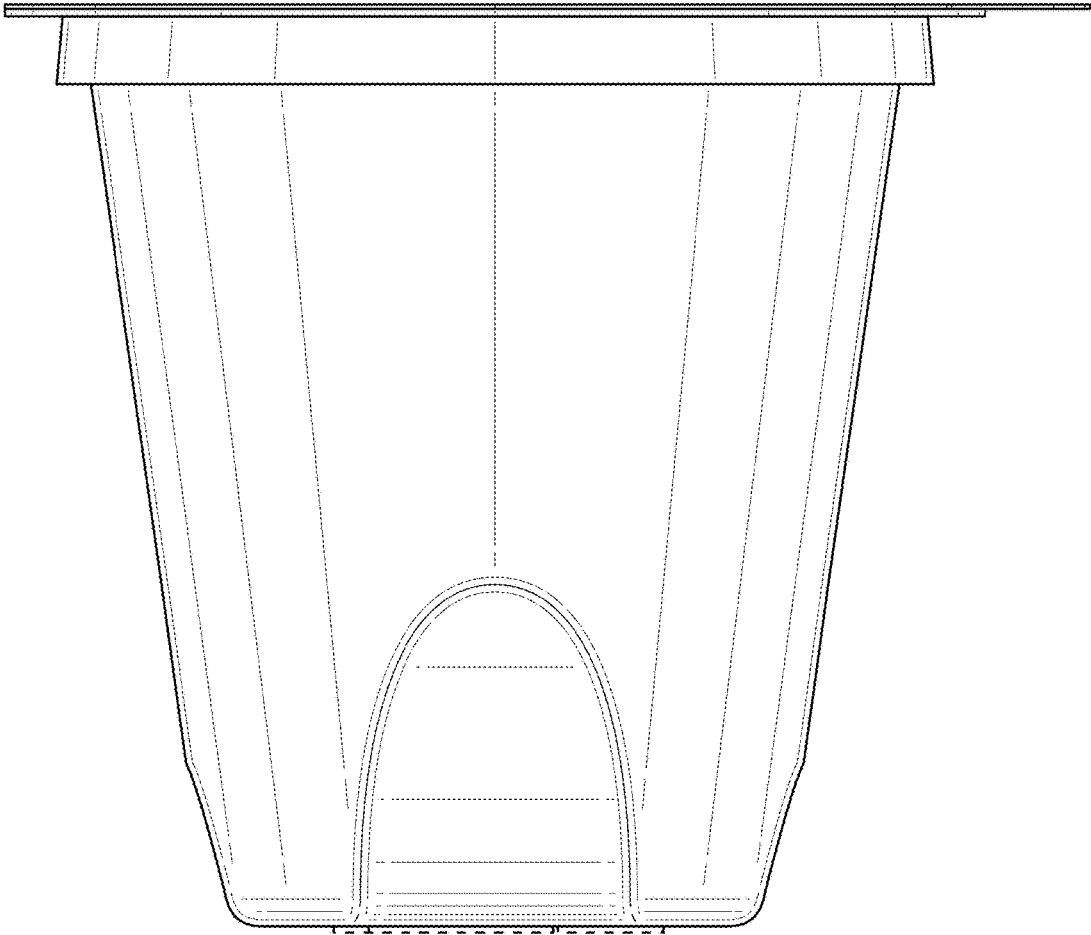


FIG. 5

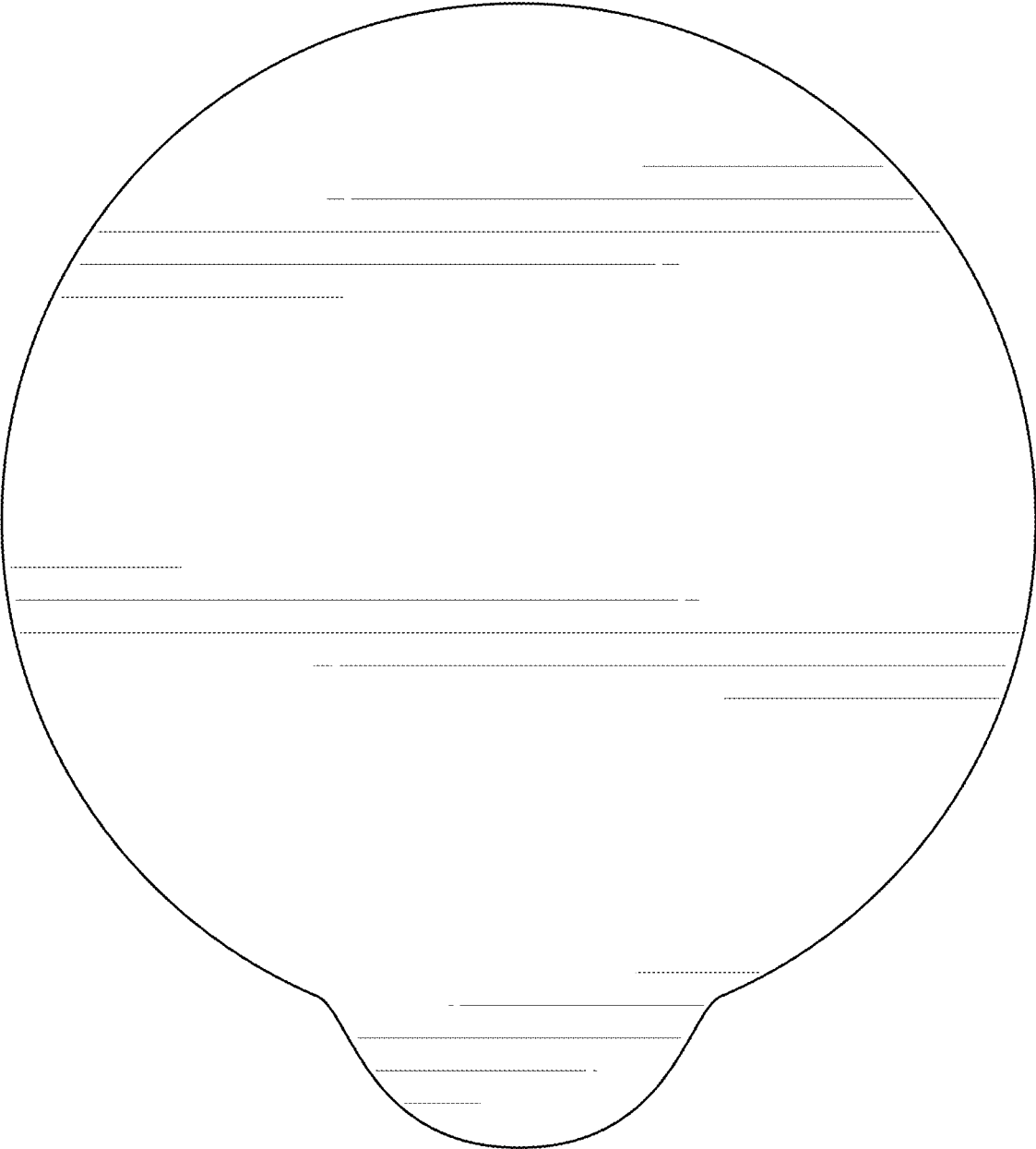


FIG. 6

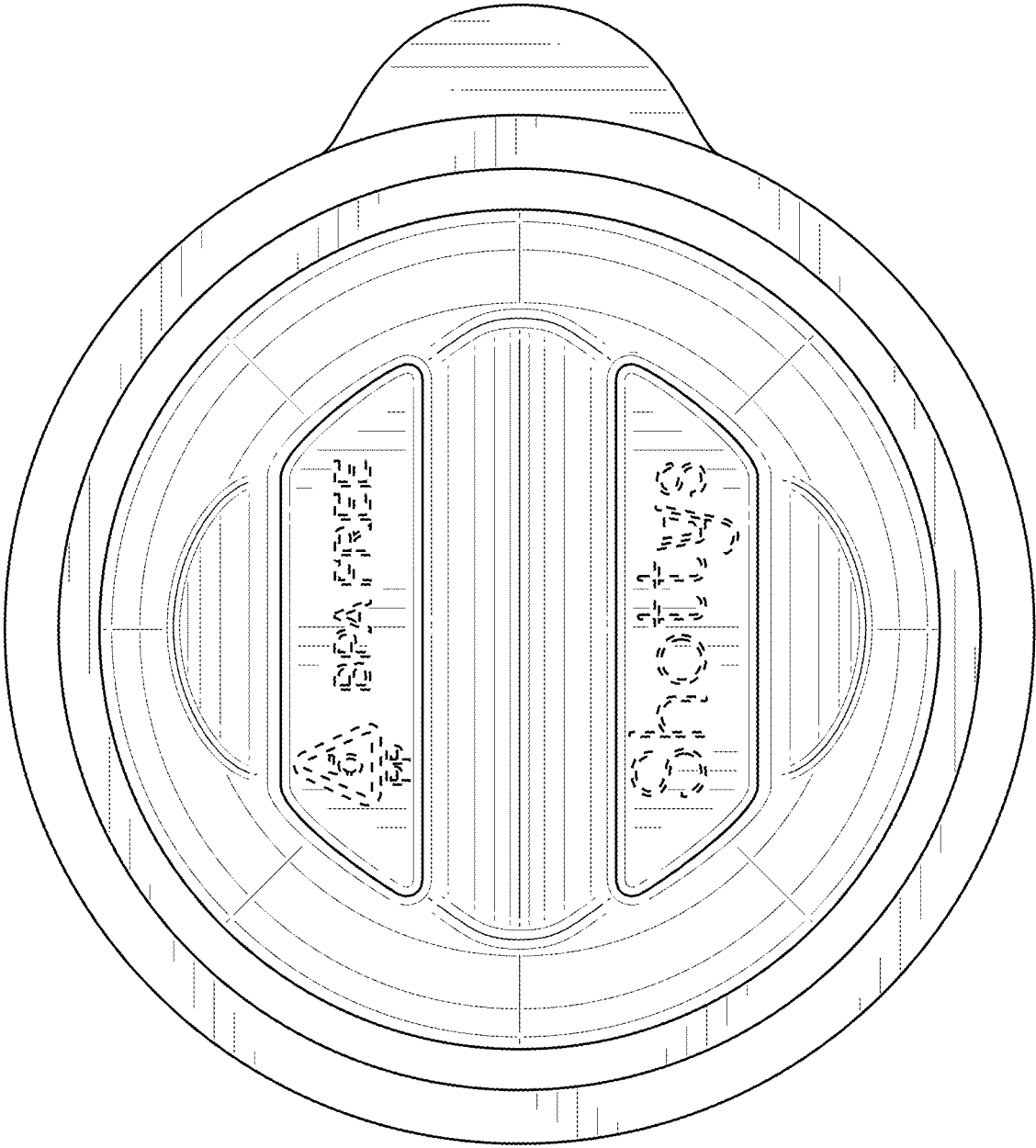


FIG. 7

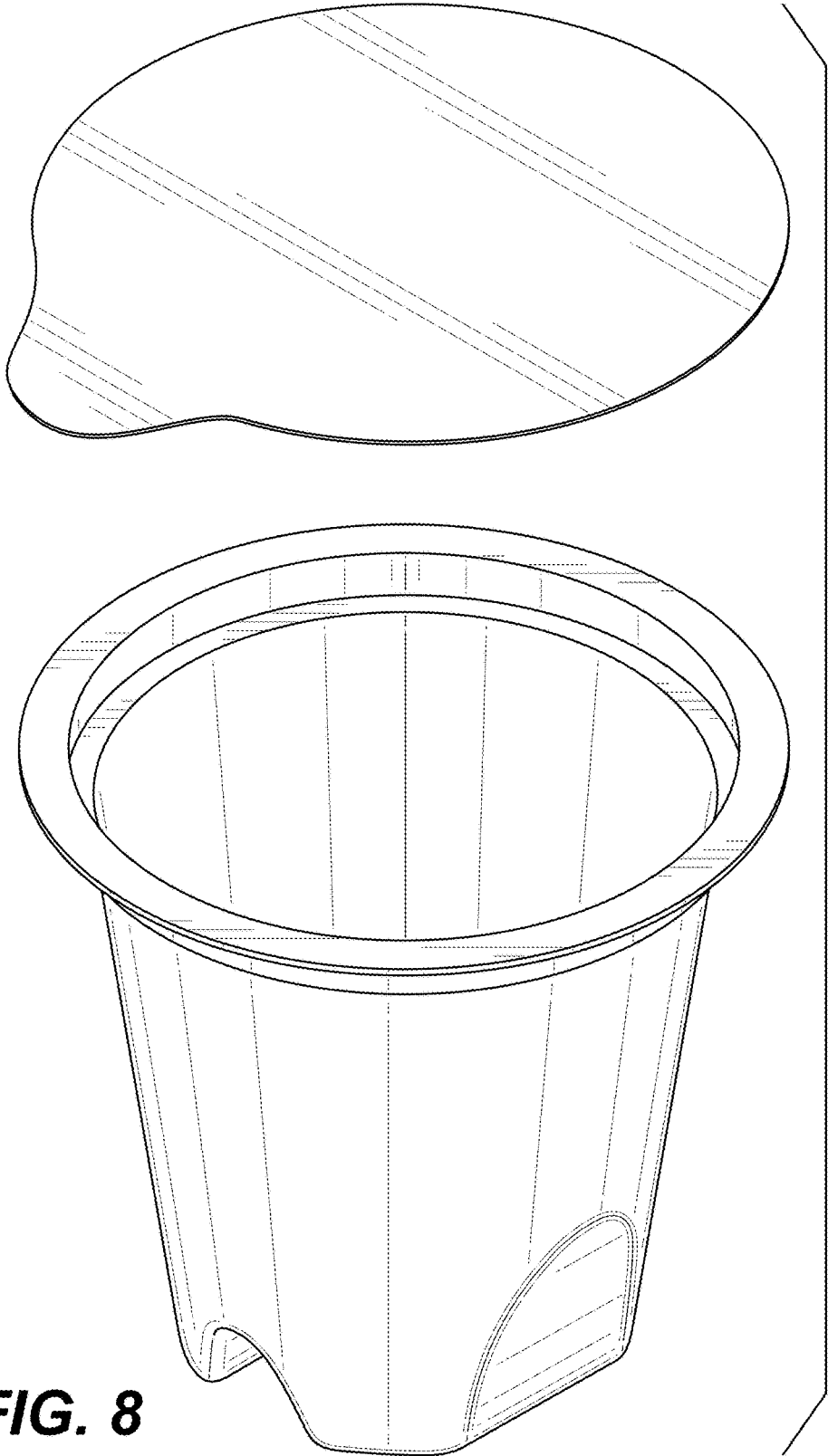


FIG. 8