



US00D598971S

(12) **United States Design Patent**
Peterson et al.

(10) **Patent No.:** **US D598,971 S**

(45) **Date of Patent:** **** Aug. 25, 2009**

(54) **MOUNTING BRACKET FOR
ELECTRO-OPTIC DEVICES FOR FIREARMS
AND OTHER EQUIPMENT**

(75) Inventors: **Morris Peterson**, Earlysville, VA (US);
Matthew Peterson, Crozet, VA (US);
Charles Robert Overbey, Jr., Deland,
FL (US); **Gary Vance**, Bristol, VA (US)

(73) Assignee: **Ashbury International Group, Inc.**,
Ruckersville, VA (US)

(**) Term: **14 Years**

(21) Appl. No.: **29/326,085**

(22) Filed: **Oct. 10, 2008**

Related U.S. Application Data

(63) Continuation of application No. 12/234,527, filed on
Sep. 19, 2008.

(51) **LOC (9) Cl.** **22-01**

(52) **U.S. Cl.** **D22/108**

(58) **Field of Classification Search** D22/100,
D22/108, 199; D8/1, 380, 381; D6/417,
D6/552; 42/94; 89/37.04; 211/64, 89; 248/872,
248/156, 530

See application file for complete search history.

(56) **References Cited**

U.S. PATENT DOCUMENTS

D253,545 S *	11/1979	Chesnut	D22/109
D256,830 S *	9/1980	Bechtel	D22/110
D265,920 S *	8/1982	Bechtel	D22/109
D274,540 S *	7/1984	Bechtel	D22/110
2009/0101776 A1 *	4/2009	Peterson et al.	248/205.1

* cited by examiner

Primary Examiner—T. Chase Nelson

Assistant Examiner—Michael A Pratt

(74) *Attorney, Agent, or Firm*—Troutman Sanders LLP;
James Hunt Yancey, Jr.; Filip Kowalewski

(57) **CLAIM**

The ornamental design for a mounting bracket for electro-optic devices for firearms and other equipment, as shown and described.

DESCRIPTION

FIG. 1 illustrates a perspective, side view of a new design of an accessory mounting bracket for electro-optic devices for firearms and other equipment depicting an accessory mounting surface disposed on a tri-forked mounting bracket;

FIG. 2 is a side view of the design shown in FIG. 1 depicting an accessory mounting surface disposed on a tri-forked mounting bracket;

FIG. 3 is a side view of the design shown in FIG. 1 depicting an accessory mounting surface disposed on a tri-forked mounting bracket;

FIG. 4 is a cross-sectional view of the design shown in FIG. 1 depicting an accessory mounting surface disposed on a tri-forked mounting bracket;

FIG. 5 is a cross-sectional view of the design shown in FIG. 1 depicting an accessory mounting surface disposed on a tri-forked mounting bracket;

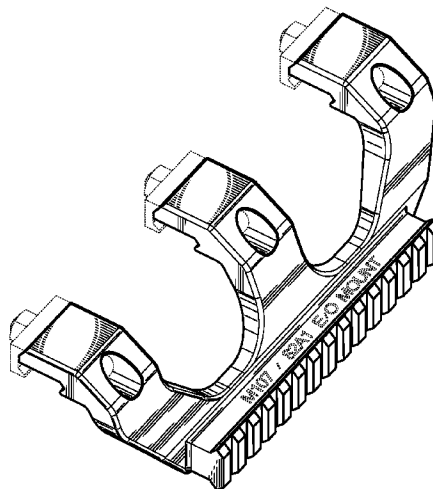
FIG. 6 is a top view of the design shown in FIG. 1 depicting an accessory mounting surface disposed on a tri-forked mounting bracket;

FIG. 7 is a bottom view of the design shown in FIG. 1 depicting an accessory mounting surface disposed on a tri-forked mounting bracket; and,

FIG. 8 is an angled perspective view of design shown in FIG. 1 depicting an accessory mounting surface disposed on a tri-forked mounting bracket mounted on a firearm.

The broken, dashed lines shown in the various figures depicting embodiments of the invention are included for the purpose of illustrating environment and do not form any part of the claimed design.

1 Claim, 5 Drawing Sheets



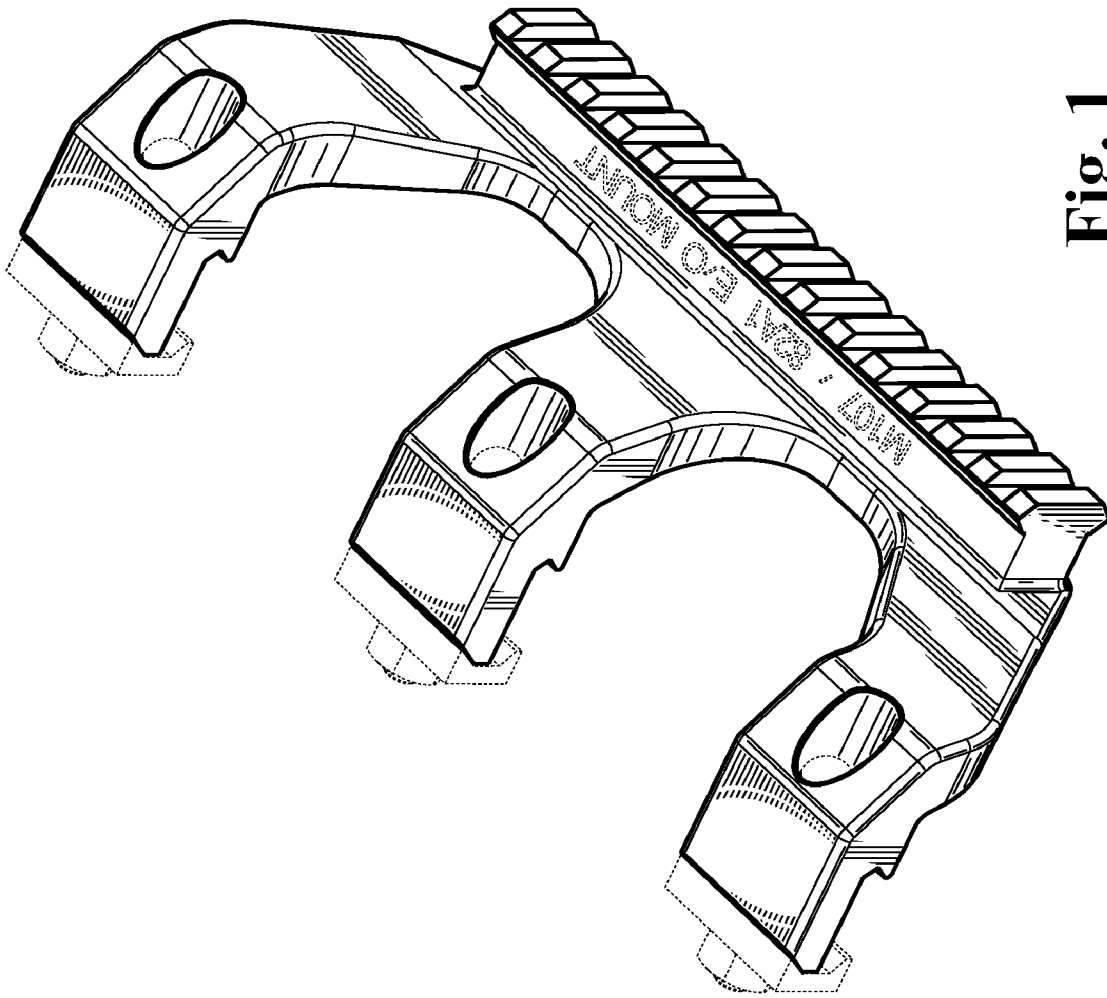


Fig. 1

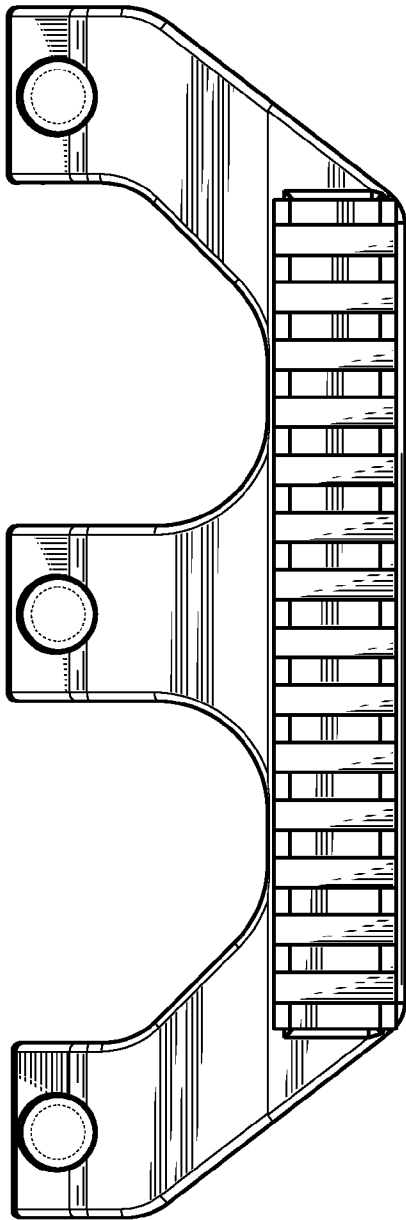


Fig. 2

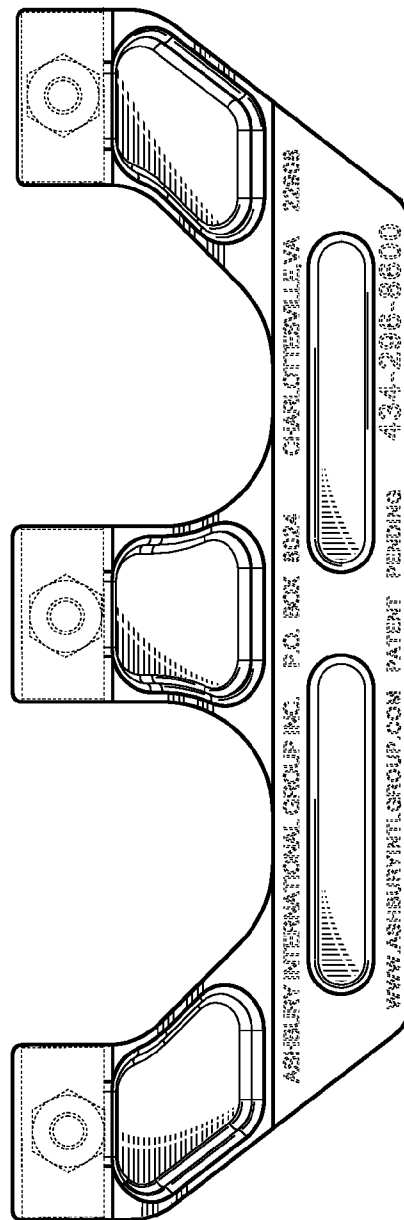


Fig. 3

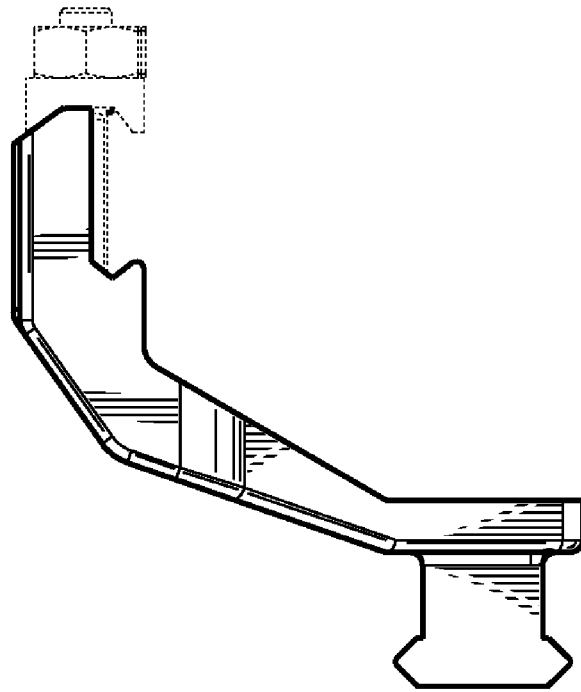


Fig. 5

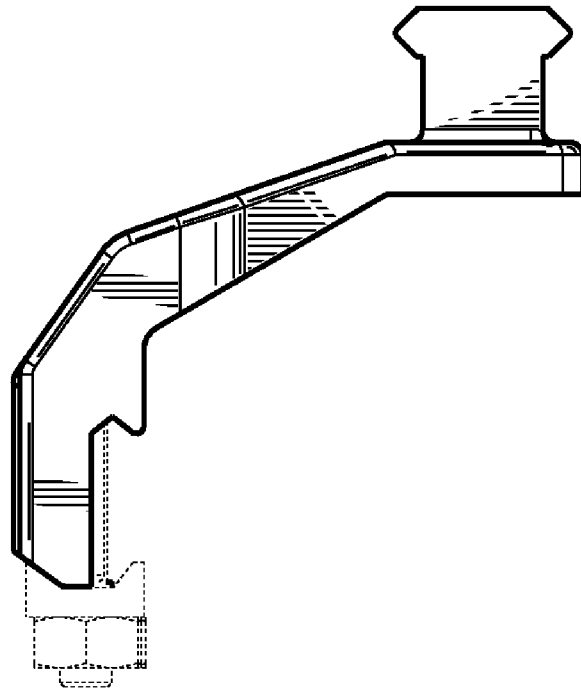


Fig. 4

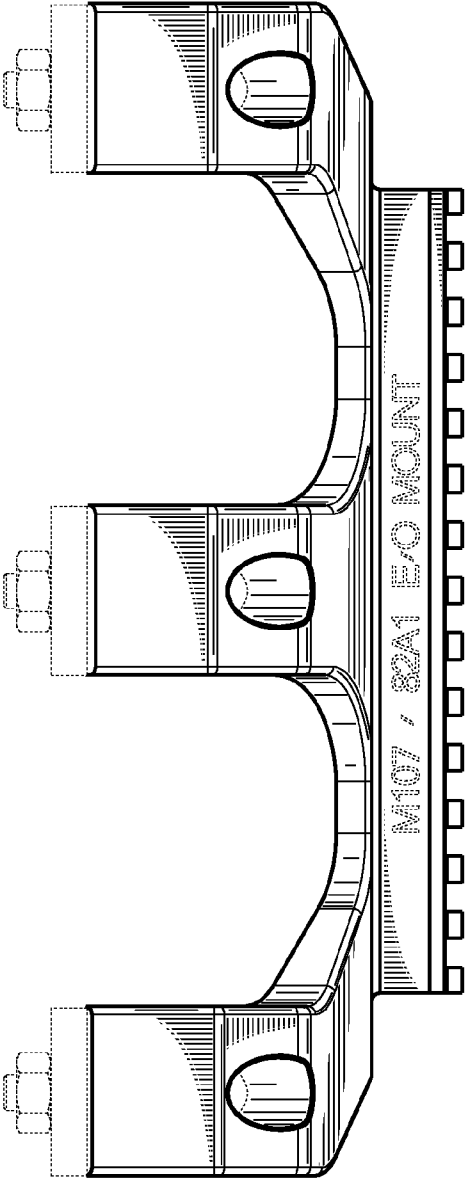


Fig. 6

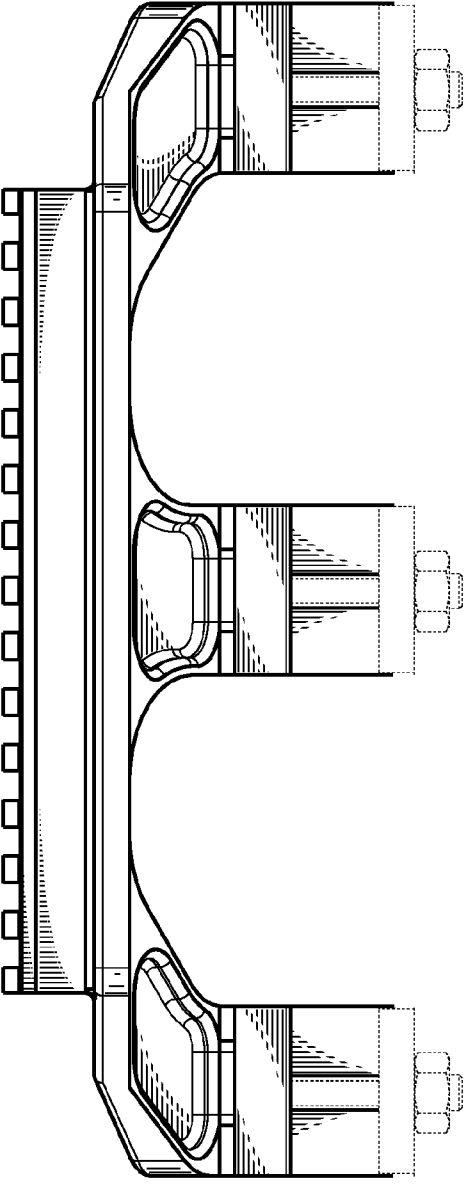


Fig. 7

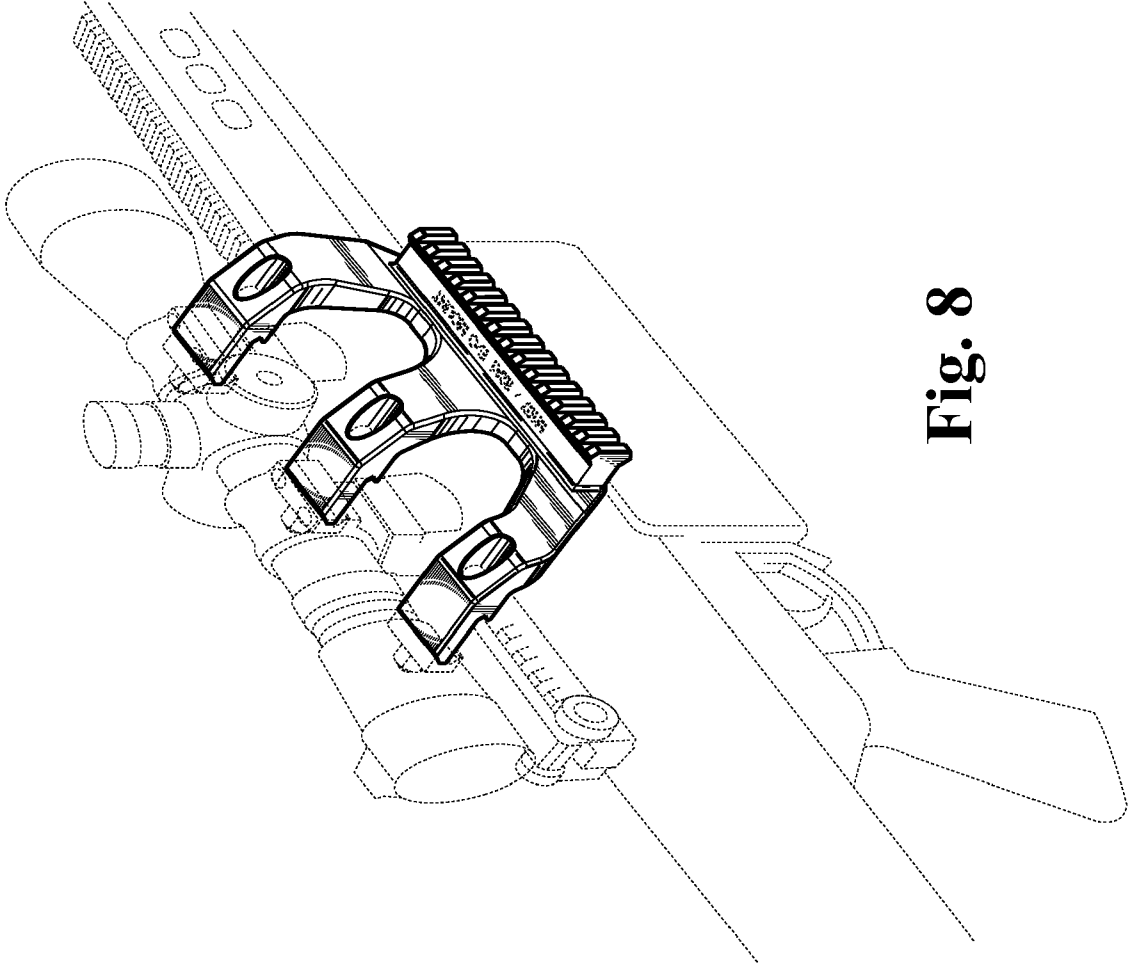


Fig. 8