



US00D748909S

(12) **United States Design Patent**  
**Wronski et al.**

(10) **Patent No.:** **US D748,909 S**

(45) **Date of Patent:** **\*\* Feb. 9, 2016**

(54) **OVERSIZED CHILDREN'S BACKPACK**  
(71) Applicants: **Vicki C. Wronski**, Stone Mountain, GA (US); **Greg Edward Wronski**, Stone Mountain, GA (US)

(72) Inventors: **Vicki C. Wronski**, Stone Mountain, GA (US); **Greg Edward Wronski**, Stone Mountain, GA (US)

(\*\*) Term: **14 Years**

(21) Appl. No.: **29/503,094**

(22) Filed: **Sep. 23, 2014**

(51) **LOC (10) Cl.** ..... **03-01**

(52) **U.S. Cl.**  
USPC ..... **D3/217**

(58) **Field of Classification Search**  
USPC ..... D3/215, 216, 217, 221, 222, 224, 225, D3/261, 262, 269, 273, 289, 290  
CPC ..... A45F 3/04; A45F 3/042; A45F 3/08; A45F 3/10; A45F 3/14; A45F 4/02; A45F 4/08; A45F 2200/05; A45F 2200/0525; A45C 13/08; A45C 13/083  
See application file for complete search history.

(56) **References Cited**

**U.S. PATENT DOCUMENTS**

D249,189	S	*	8/1978	Stewart	.....	D3/217
5,819,998	A	*	10/1998	Chehebar	.....	224/153
D407,214	S	*	3/1999	Chapman	.....	D3/217
D418,673	S	*	1/2000	Madsen	.....	D3/216

D423,210	S	*	4/2000	Zakarin	.....	D3/217
6,053,382	A	*	4/2000	Wyant	.....	224/153
D448,160	S	*	9/2001	Sijmons et al.	.....	D3/216
D456,601	S	*	5/2002	Kegels	.....	D3/217
D457,306	S	*	5/2002	Szyf	.....	D3/217
D458,444	S	*	6/2002	Clark et al.	.....	D3/216
D479,648	S	*	9/2003	De Lathouwer	.....	D3/216
6,712,249	B2	*	3/2004	Magnusson et al.	.....	224/576
D506,607	S	*	6/2005	Fonfeder	.....	D3/217
D506,864	S	*	7/2005	Fonfeder	.....	D3/217
D511,620	S	*	11/2005	Van Himbeeck	.....	D3/217
D661,085	S	*	6/2012	Custer	.....	D3/217
D702,434	S	*	4/2014	Chalk et al.	.....	D3/217
D714,541	S	*	10/2014	Anderson et al.	.....	D3/217
D725,376	S	*	3/2015	Dweck	.....	D3/217
2011/0186611	A1	*	8/2011	Eberle	.....	224/583

\* cited by examiner

*Primary Examiner* — John Windmuller  
*Assistant Examiner* — Steven Czyz

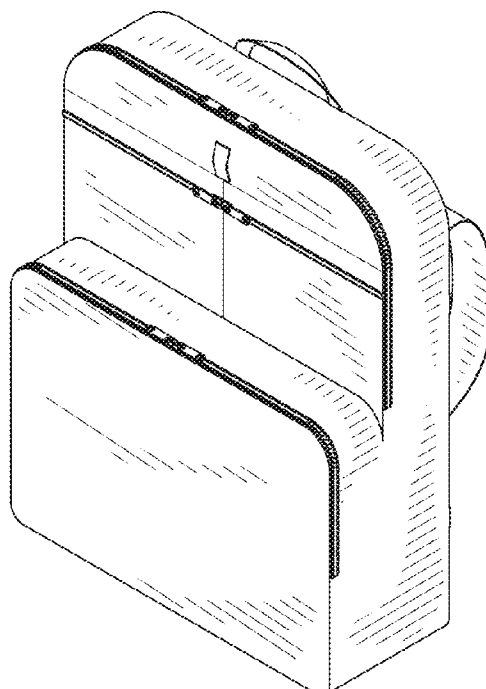
(57) **CLAIM**

The ornamental design for an oversized children's backpack, as shown and described.

**DESCRIPTION**

FIG. 1 is a perspective front view of an oversized children's backpack;  
FIG. 2 is a front elevation view thereof;  
FIG. 3 is a rear elevation view thereof;  
FIG. 4 is a left side elevation view thereof;  
FIG. 5 is a right side elevation view thereof;  
FIG. 6 is a top elevation view thereof; and,  
FIG. 7 is a bottom elevation view thereof.

**1 Claim, 3 Drawing Sheets**



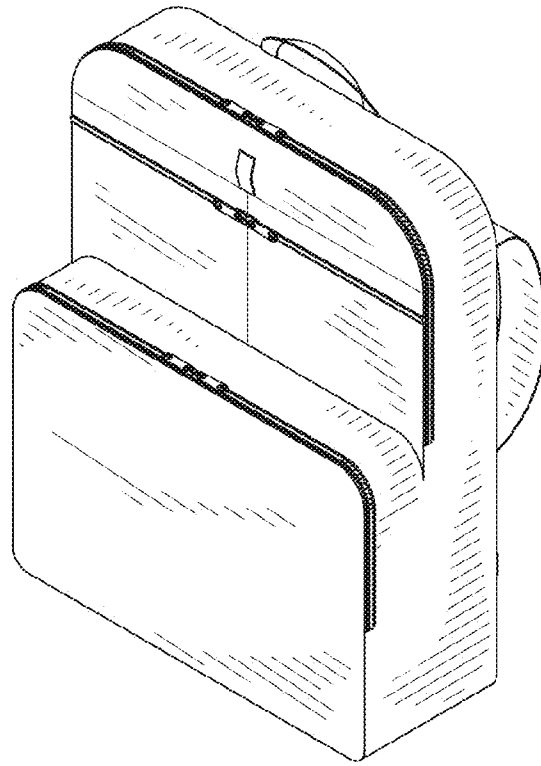


FIG. 1

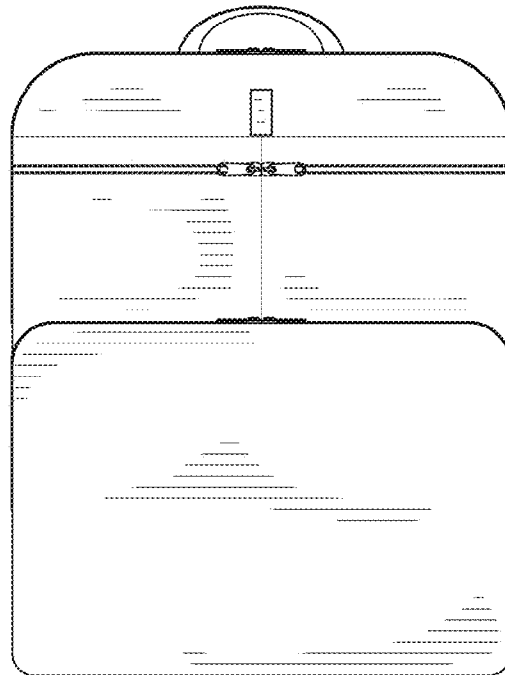


FIG. 2

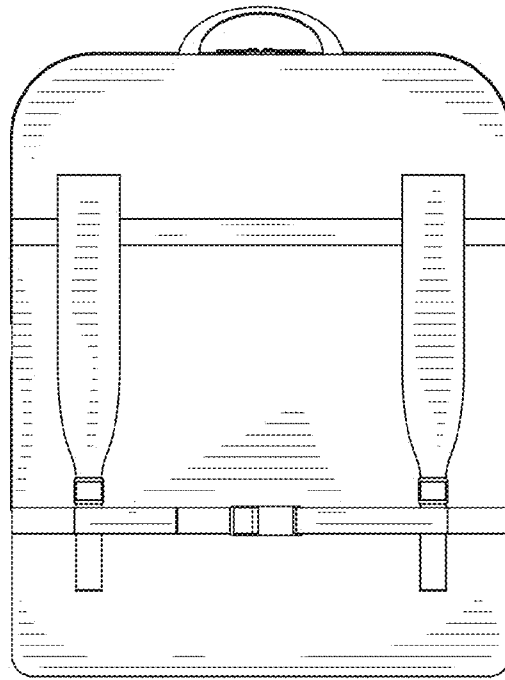


FIG. 3

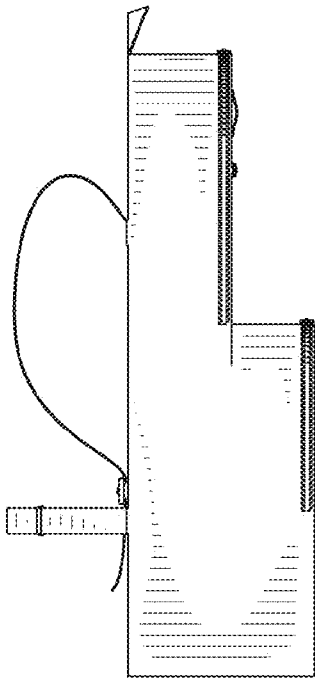


FIG. 4

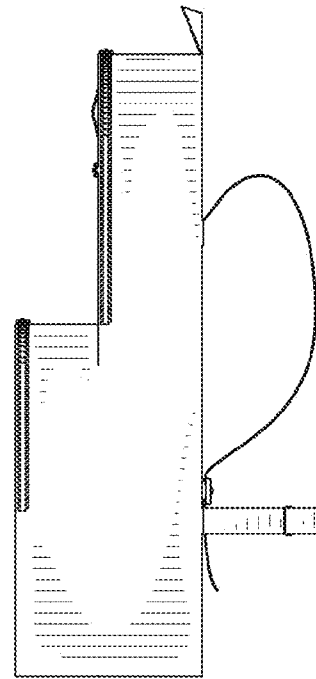


FIG. 5

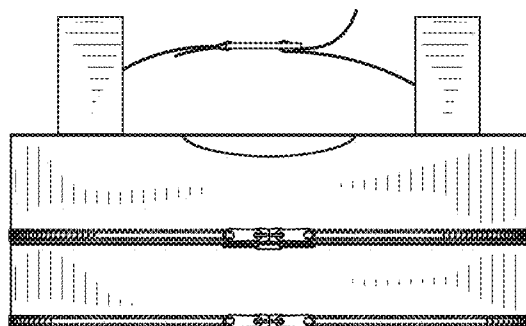


FIG. 6

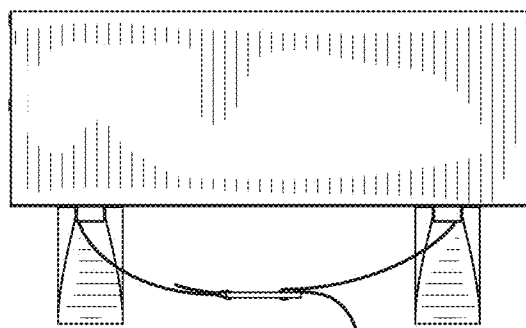


FIG. 7